

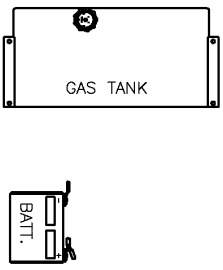
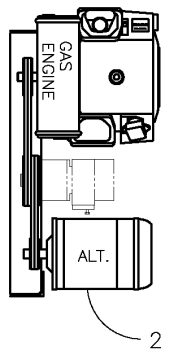


McElroy Manufacturing, Inc.
The leader by design.
Tulsa, Oklahoma U.S.A.

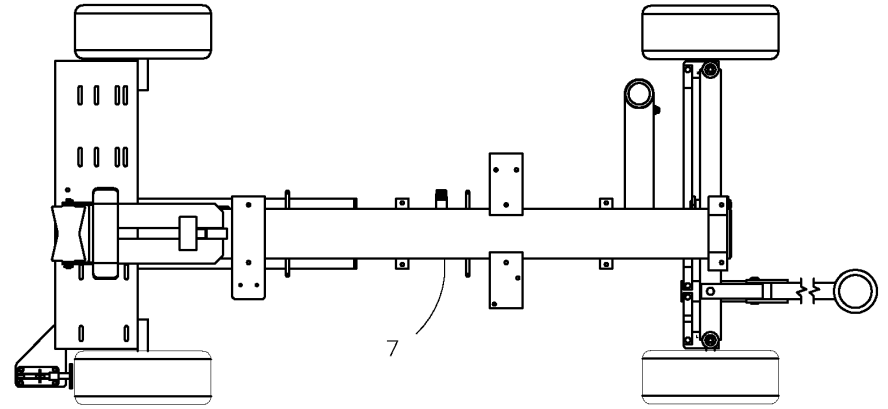
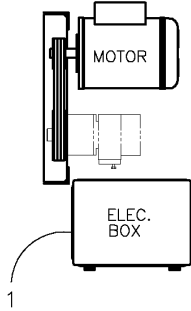
DRAWN: TLW CHECK: TMT APPRV'D: SWB DATE: 1/27/97 DWG No: SHT No: REV No: F PART No:

#412/#618 FUSION MACHINE GROUPING FOR 1245000 & 1855600 ASSEMBLIES CAD No: _ASY1218

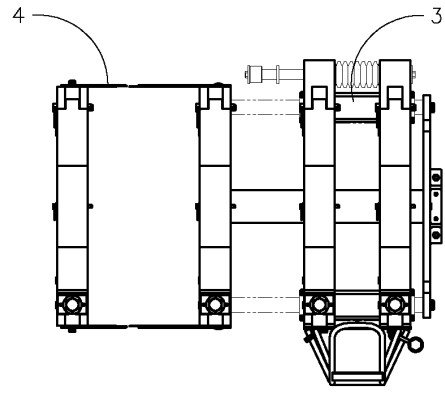
NOTE: THIS DRAWING AND THE INFORMATION CONTAINED THEREIN IS THE CONFIDENTIAL AND PROPRIETARY PROPERTY OF McElroy Manufacturing, Inc. THE DRAWING IS NOT TO BE REPRODUCED IN ANY MANNER, SUBMITTED OUTSIDE PARTIES FOR EXAMINATION, OR USED DIRECTLY OR INDIRECTLY FOR THE PURPOSES OTHER THAN THOSE FOR WHICH IT WAS FURNISHED WITHOUT WRITTEN PERMISSION OF McElroy Manufacturing, Inc.



OR



- 1 - 1243501 #412 ELECTRIC POWER ASSY. 240V, 60Hz, 3Ph
- 1 - 1243601 #412 ELECTRIC POWER ASSY. 220V, 50Hz, 3Ph
- 1 - 1243701 #412 ELECTRIC POWER ASSY. 415V, 50Hz, 3Ph
- 1 - 1823301 #618 ELECTRIC POWER ASSY. 240V, 60Hz, 3Ph
- 1 - 1823401 #618 ELECTRIC POWER ASSY. 220V, 50Hz, 3Ph
- 1 - 1823501 #618 ELECTRIC POWER ASSY. 415V, 50Hz, 3Ph
- 2 - 1823101 #412/#618 GAS POWER ASSY.
- 3 - 1822501 #412/#618 HIGH FORCE CYL. ASSY. SET (STD)
- 3 - 1822601 #412/#618 MEDIUM FORCE CYL. ASSY. SET (HV)
- 3 - 1856801 #412/#618 LOW FORCE CYL. ASSY. SET (XHV)
- 4 - 1243201 #412 DIPS JAW SET ASSEMBLY
- 4 - 1822301 #618 JAW SET ASSEMBLY
- 5 - 1822801 #412/#618 HYDRAULIC SCHEMATIC (NOT SHOWN)
- 6 - 1243301 #412 PLUMBING SCHEMATIC (NOT SHOWN)
- 6 - 1822901 #618 PLUMBING SCHEMATIC (NOT SHOWN)
- 7 - 1822101 #412/#618 GAS/ELECTRIC ROLLING CHASSIS ASSEMBLY



McElroy Manufacturing Parts List

Part Number: 1245002 412 DIPS MF Gas Fusion Machine Assembly (Obsolete) (2/1997-7/2003)

Part Number 1245002 Component List

Item	Component	Description	Quantity	Unit	Price
2	1823101	412/618 Gas Power Assembly	1.0	EA	0.00
3	1822601	618 MF Cylinder Assembly Set	1.0	S2	4,333.00
4	1243201	No. 412 DIPS Jaw Set Assembly	1.0	EA	0.00
5	1822801	No. 412 / No. 618 Hydraulic Schematic	1.0	EA	0.00
6	1243301	No. 412 Plumbing Schematic	1.0	EA	0.00
7	1822101	No. 412 / No. 618 Gas / Electric Rolling Chassis Assembly	1.0	EA	10,657.00

Please visit <https://fusion.mcelroy.com/parts> to purchase parts or for more information.

