



McElroy Manufacturing, Inc.
The leader by design.
Tulsa, Oklahoma U.S.A.

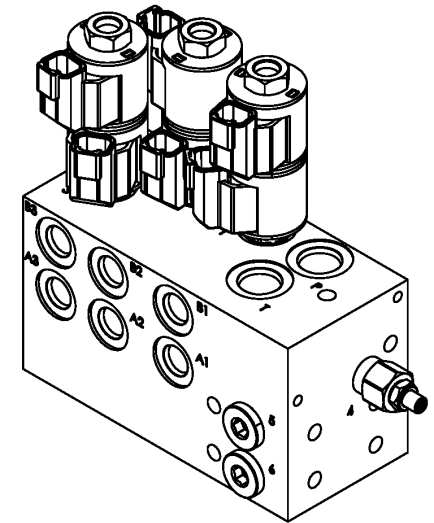
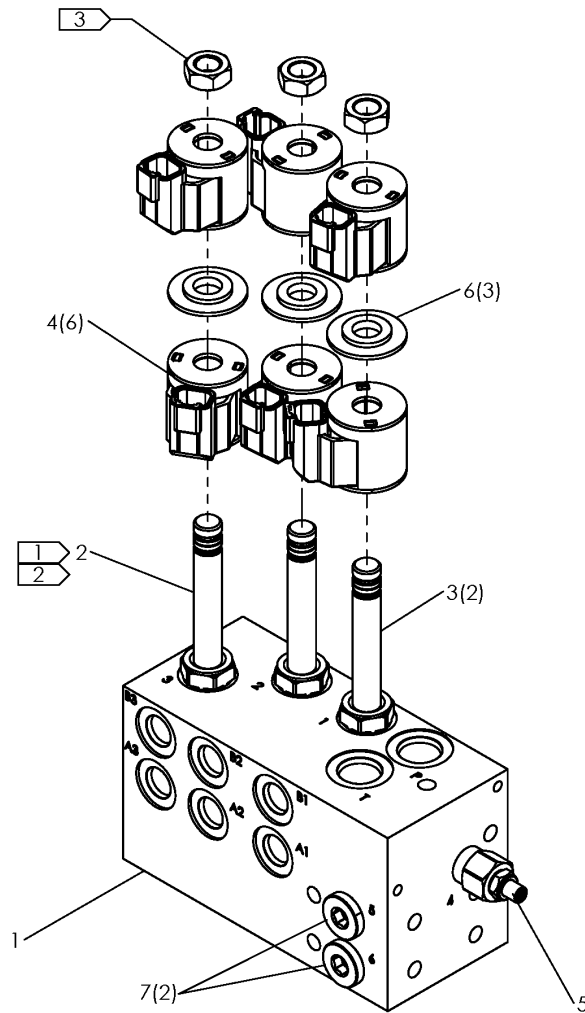
DRAWN: CRN CHECK: JRN APPRVD: DWP DATE: 06/15/12 SHT No: 1A REV No: B PART No: T5056801

TracStar® 500 III INDEXER MANIFOLD ASSEMBLY

NOTE: THIS DRAWING AND THE INFORMATION CONTAINED THEREIN IS THE CONFIDENTIAL AND PROPRIETARY PROPERTY OF McElroy Manufacturing, Inc. THE DRAWING IS NOT TO BE REPRODUCED IN ANY MANNER, SUBMITTED TO OUTSIDE PARTIES FOR EXAMINATION, OR USED DIRECTLY OR INDIRECTLY FOR THE PURPOSES OTHER THAN THOSE FOR WHICH IT WAS FURNISHED WITHOUT WRITTEN PERMISSION OF McElroy Manufacturing, Inc.

NOTES:

1. VALVE INSTALLED IN PORT 3 IS DIFFERENT P/N THAN THOSE INSTALLED IN PORTS 1 & 2. IT CAN BE IDENTIFIED BY LETTER "D" STAMPED ON THE TOP OF THE THREADED END OF THE CARTRIDGE. VALVES INSTALLED IN PORTS 1 & 2 HAVE "C" STAMPED ON THE THREADED END.
2. TORQUE CARTRIDGE VALVE TO 19 FT-LBS. DO NOT OVERTORQUE OR SPOOL BINDING MAY OCCUR.
3. TORQUE COIL RETAINING NUT TO 48 IN-LBS. DO NOT OVERTORQUE OR SPOOL BINDING MAY OCCUR. RETAINING NUT IS SUPPLIED WITH CARTRIDGE VALVES.



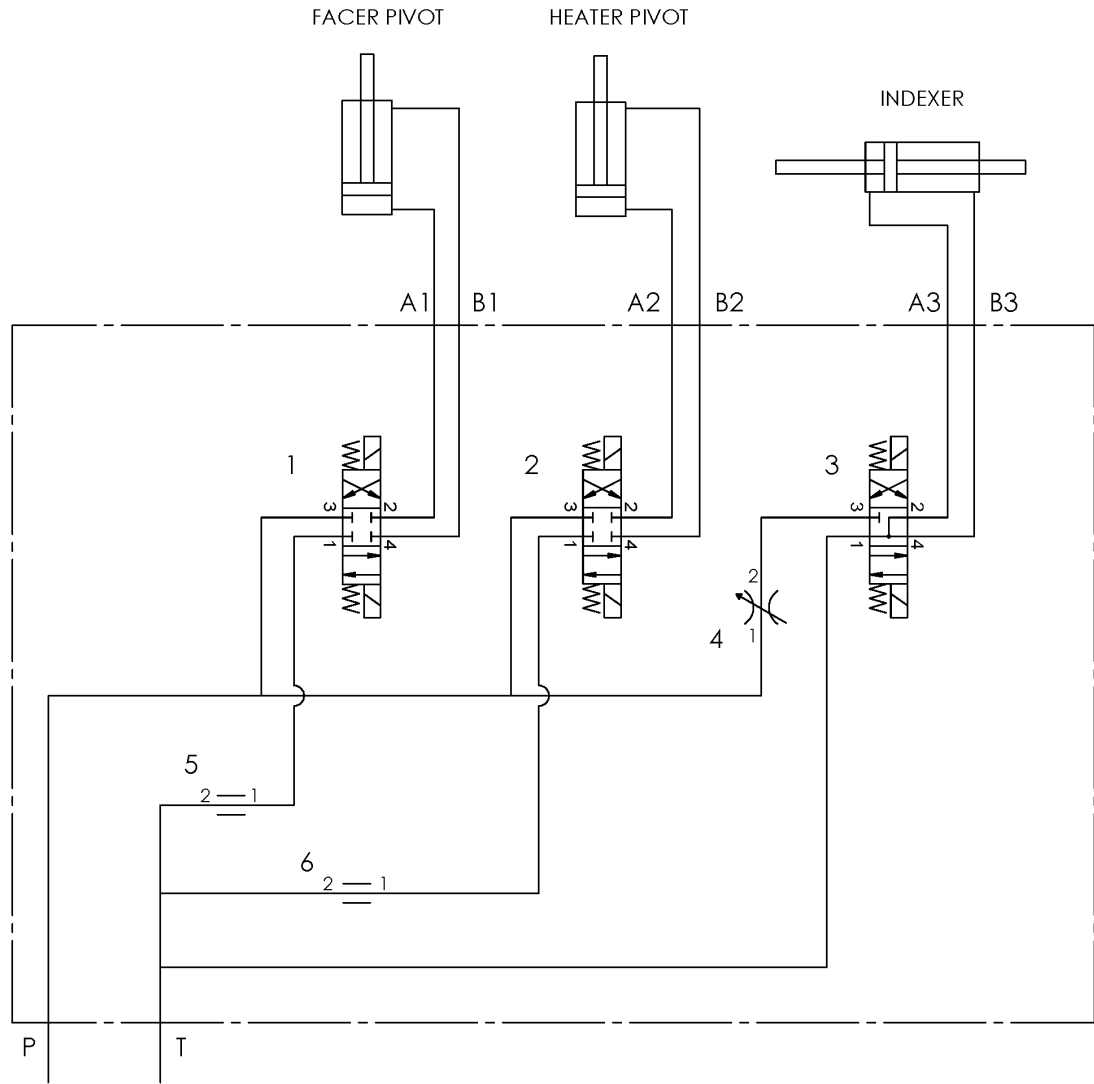


McElroy Manufacturing, Inc.
The leader by design.
Tulsa, Oklahoma U.S.A.

DRAWN: CRN CHECK: JRN APPR'D: DWP DATE: 06/15/12 SHT No: 1B REV No: B PART No: T5056801

TracStar® 500 III INDEXER MANIFOLD ASSEMBLY

NOTE: THIS DRAWING AND THE INFORMATION CONTAINED THEREIN IS THE CONFIDENTIAL AND PROPRIETARY PROPERTY OF McElroy Manufacturing, Inc. THE DRAWING IS NOT TO BE REPRODUCED IN ANY MANNER, SUBMITTED TO OUTSIDE PARTIES FOR EXAMINATION, OR USED DIRECTLY OR INDIRECTLY FOR THE PURPOSES OTHER THAN THOSE FOR WHICH IT WAS FURNISHED WITHOUT WRITTEN PERMISSION OF McElroy Manufacturing, Inc.



McElroy Manufacturing Parts List

Part Number: T5056801 TracStar 500 III Indexer Manifold Assembly

Part Number T5056801 Component List

Item	Component	Description	Quantity	Unit	Price
1	T5056901	Indexer Manifold W/plugs	1.0	EA	946.00
2	MEF00198	3POS Solenoid OP Dir Cntrl Vlv	1.0	EA	276.00
3	MEF00231	3POS Solenoid OP Dir Cntrl Vlv	2.0	EA	275.00
4	MEF00232	08SIZE 12VDC Coil Deutsch Conn	6.0	EA	73.77
5	MEN00011	Needle Cartridge Valve	1.0	EA	109.00
6	MEF00240	Coil Spacing Wshr for MEF00232	3.0	EA	10.03
7	MFC00208	16MM X 1.5 Hollow Hex Plug	2.0	EA	12.00

Please visit <https://fusion.mcelroy.com/parts> to purchase parts or for more information.

