



McElroy Manufacturing, Inc.  
The leader by design.  
Tulsa, Oklahoma U.S.A.

DRAWN: FAW

CHECK: BWJ

APPRV'D: DWP

DATE: 4/09/07

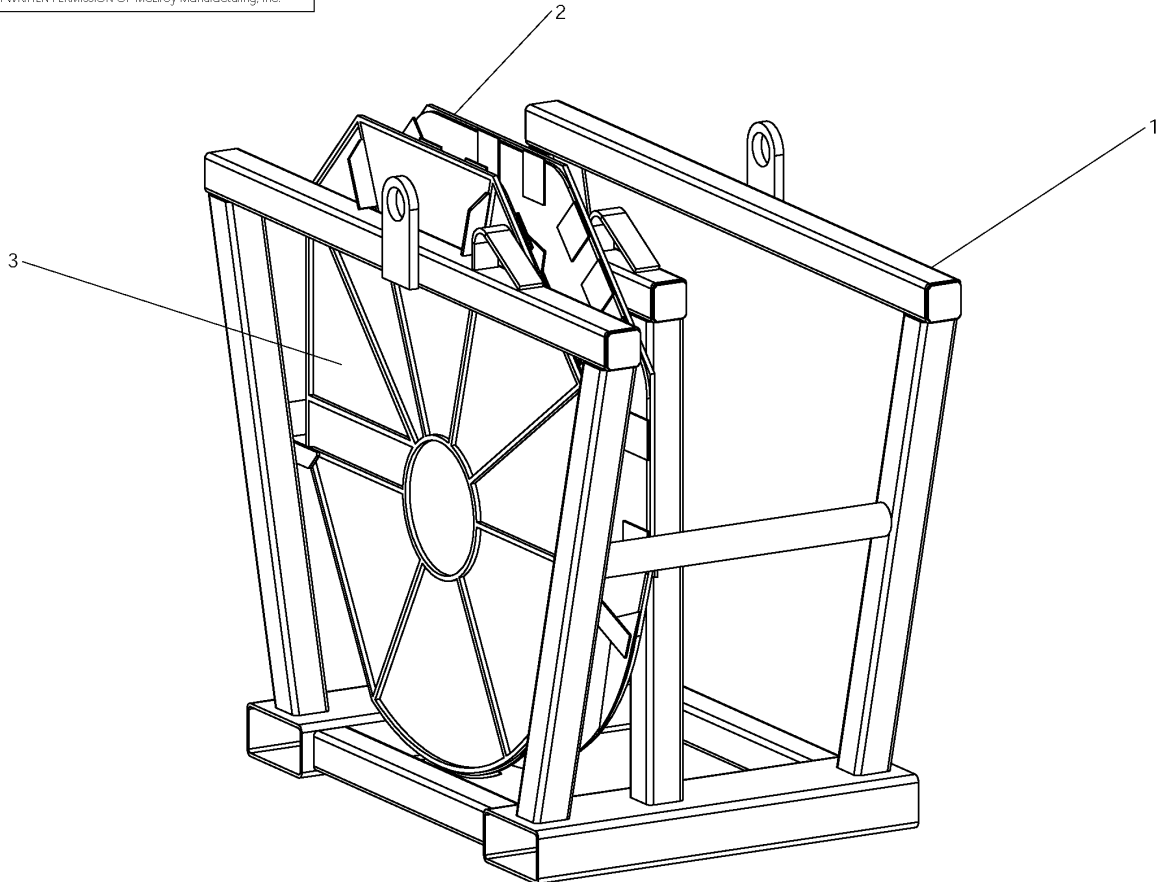
SHT No: 1

REV No:

PART No: T9027301

TracStar® 900 IN DITCH HEATER/FACER STORAGE RACK ASSEMBLY

NOTE: THIS DRAWING AND THE INFORMATION CONTAINED THEREIN IS THE CONFIDENTIAL AND PROPRIETARY PROPERTY OF McElroy Manufacturing, Inc. THE DRAWING IS NOT TO BE REPRODUCED IN ANY MANNER, SUBMITTED TO OUTSIDE PARTIES FOR EXAMINATION, OR USED DIRECTLY OR INDIRECTLY FOR THE PURPOSES OTHER THAN THOSE FOR WHICH IT WAS FURNISHED WITHOUT WRITTEN PERMISSION OF McElroy Manufacturing, Inc.



3617008	3	1	HEATER INSULATING PANEL
3617007	2	1	HEATER INSULATING PANEL
T9027201	1	1	HEATER / FACER STORAGE RACK WELDMENT
			ASSEMBLY
MMI NUMBER	ITEM	QTY.	SIZE AND DESCRIPTION

UNLESS NOTED OTHERWISE: (3) PLC. DIM'S .XXX = ±0.005" (2) PLC. DIM'S .XX = ±0.010" FRACTIONAL DIM'S = ±1/32" ANGULAR DIM'S = ±1/4° REMOVE ALL BURRS BREAK ALL SHARP EDGES STAMP OR ETCH P/N ON ALL DETAIL PARTS



### McElroy Manufacturing Parts List

**Part Number:** T9027301 Replaced by T9046001 (TracStar 900 In Ditch Heater/Facer Storage Rack Assembly) (4/2007 - 10/2018)

**Part Number T9027301 Component List**

Item	Component	Description	Quantity	Unit	Price
1	T9027201	Obsolete	1.0	EA	0.00
2	3617007	Heater Insulating Panel	1.0	EA	1,751.00
3	3617008	Heater Insulating Panel	1.0	EA	1,751.00

Please visit <https://fusion.mcelroy.com/parts> to purchase parts or for more information.

