

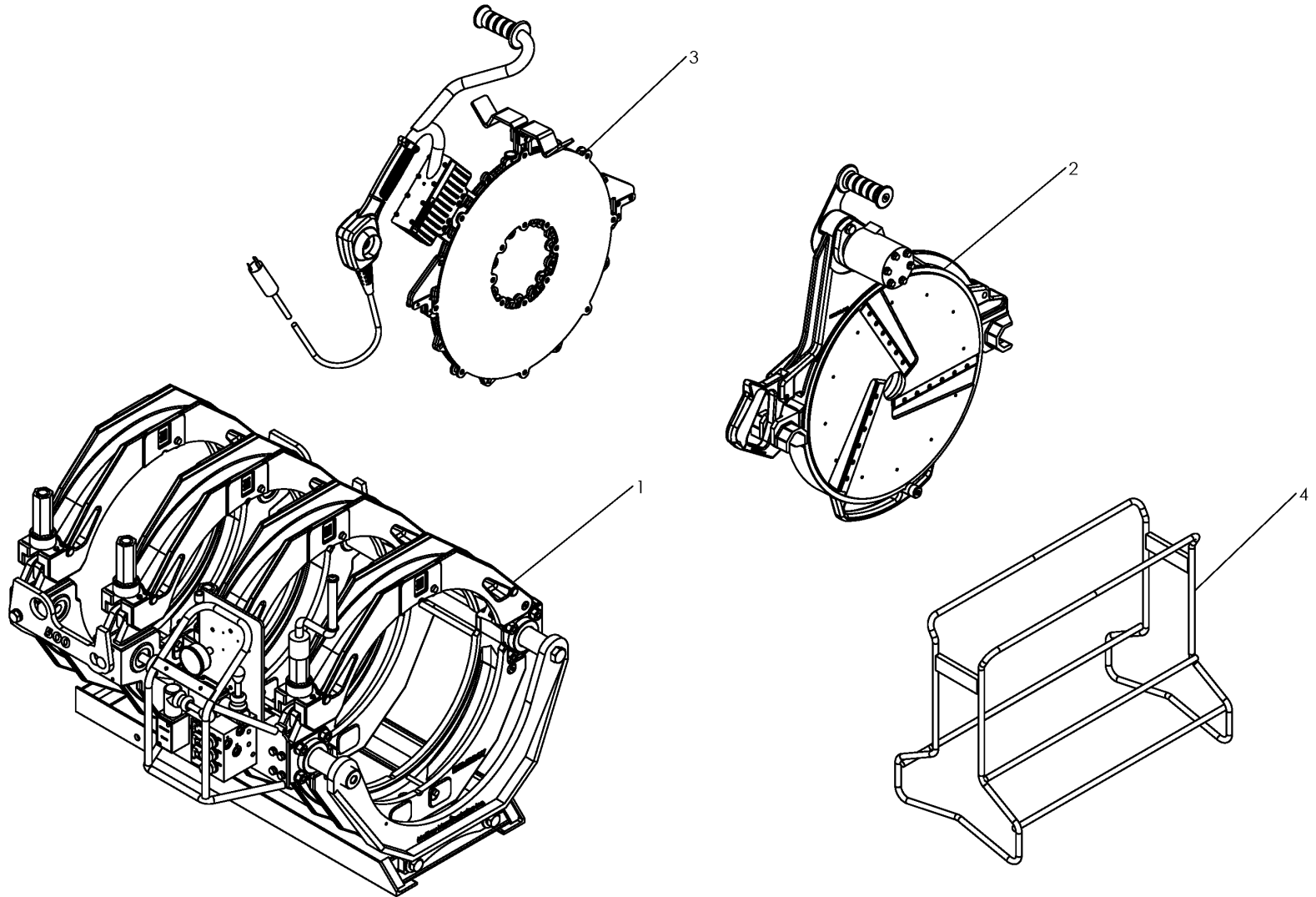


McElroy Manufacturing, Inc.
The leader by design.
Tulsa, Oklahoma U.S.A.

DRAWN: JAB CHECK: SWB APPRVD: SWB DATE: 1/13/06 SHT No: 1 REV No: B PART No: AT5034001_02_03_04

PitBull® 500 MEDIUM FORCE FUSION MACHINE PACKAGE

NOTE: THIS DRAWING AND THE INFORMATION CONTAINED THEREIN IS THE CONFIDENTIAL AND PROPRIETARY PROPERTY OF McElroy Manufacturing, Inc. THE DRAWING IS NOT TO BE REPRODUCED IN ANY MANNER, SUBMITTED TO OUTSIDE PARTIES FOR EXAMINATION, OR USED DIRECTLY OR INDIRECTLY FOR THE PURPOSES OTHER THAN THOSE FOR WHICH IT WAS FURNISHED WITHOUT WRITTEN PERMISSION OF McElroy Manufacturing, Inc.



McElroy Manufacturing Parts List

Part Number: AT5034002 PitBull 500 mm Medium Force Fusion Machine Package

Part Number AT5034002 Component List

Item	Component	Description	Quantity	Unit	Price
1	AT5000405	TracStar 500 II MM Medium Force Carriage Assembly Package	1.0	EA	0.00
2	T5000602	TracStar 500 II Facer Assembly	1.0	EA	12,911.00
3	T5008009	PitBull 500 12-20IPS 240V Heater Assembly	1.0	EA	4,150.00
4	T5004701	Facer Stand	1.0	EA	0.00

Please visit <https://fusion.mcelroy.com/parts> to purchase parts or for more information.

