



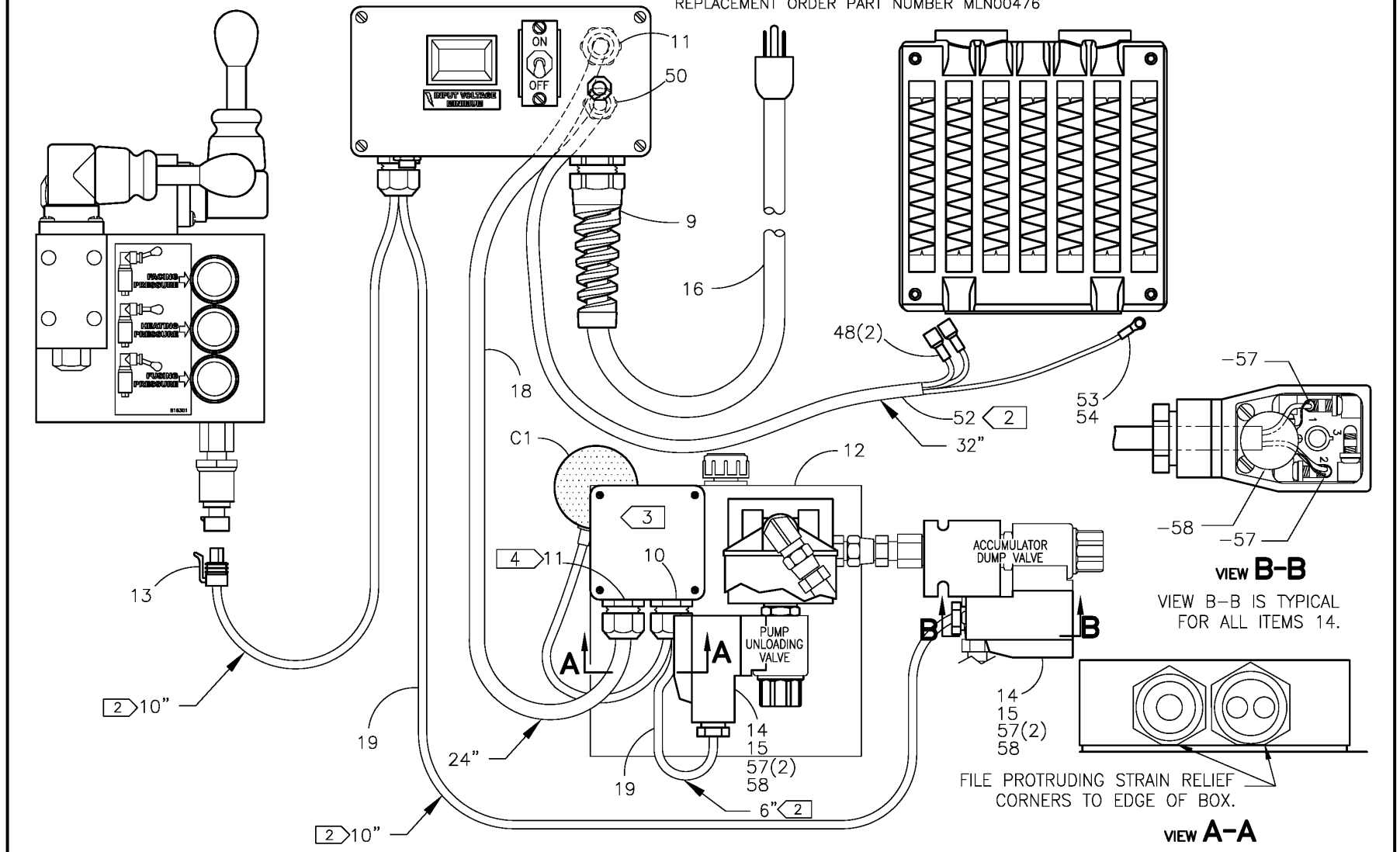
**McElroy Manufacturing, Inc.**  
The leader by design.  
Tulsa, Oklahoma U.S.A.

DRAWN: RLT	CHECK: BEA	APPRV'D: MRP	DATE: 6/21/12	DWG No: 1272900	SHT No: 5A	REV No: K	PART No: 1272905
DynaMc® EP HPU ELECTRICAL ASSEMBLY 120V, 60HZ, 1PH							CAD No: 1272905

NOTE: THIS DRAWING AND THE INFORMATION CONTAINED THEREIN IS THE CONFIDENTIAL AND PROPRIETARY PROPERTY OF McElroy Manufacturing, Inc. THE DRAWING IS NOT TO BE REPRODUCED IN ANY MANNER, SUBMITTED OUTSIDE PARTIES FOR EXAMINATION, OR USED DIRECTLY OR INDIRECTLY FOR THE PURPOSES OTHER THAN THOSE FOR WHICH IT WAS FURNISHED WITHOUT WRITTEN PERMISSION OF McElroy Manufacturing, Inc.

**NOTES:**

1. LENGTHS SPECIFIED ARE FROM STRAIN RELIEF TO CONNECTOR, OR STRAIN RELIEF TO STRAIN RELIEF.
2. USE CABLE TIE (ITEM 51) TO SECURE CABLE TO CORNER OF FAN & SEVERAL PLACES ALONG THE HYDRAULIC HOSES RUNNING TO SWITCH BOX.
3. SEE SHEET 5B FOR WIRING DETAILS.
4. REMOVE M20 LOCKNUT FROM ITEM 11, USE LOCKNUT ON ITEM 10. FOR REPLACEMENT ORDER PART NUMBER MLN00476





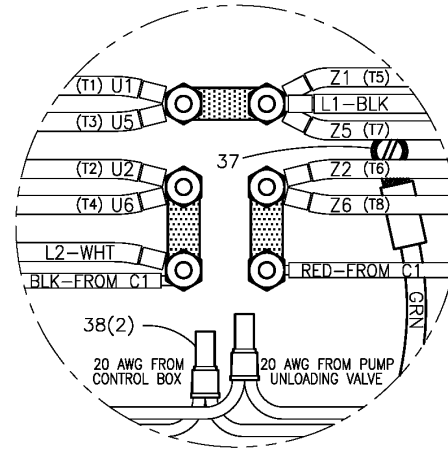
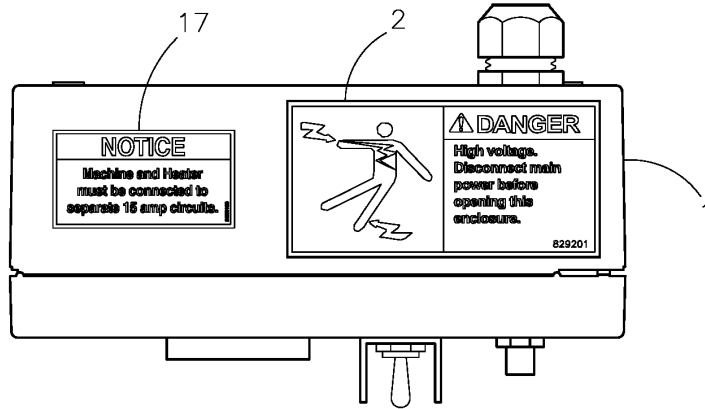
**McElroy Manufacturing, Inc.**  
 The leader by design.  
 Tulsa, Oklahoma U.S.A.

DRAWN: RLT	CHECK: BEA	APPRVD: MRP	DATE: 6/21/12	DWG No: 1272900	SHT No: 5B	REV No: K	PART No: 1272905
DynaMc® EP HPU ELECTRICAL ASSEMBLY 120V, 60HZ, 1PH							CAD No: 1272905

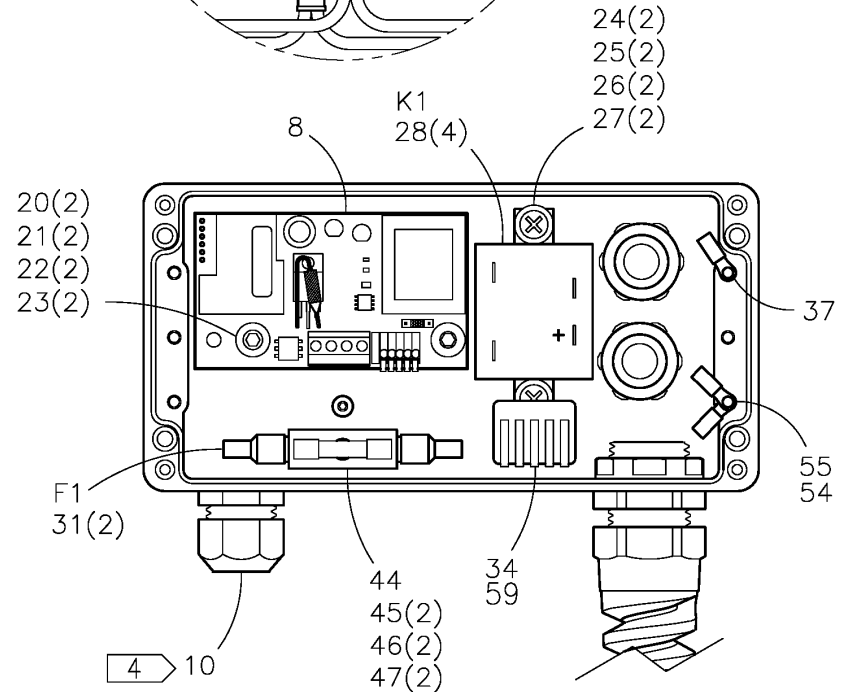
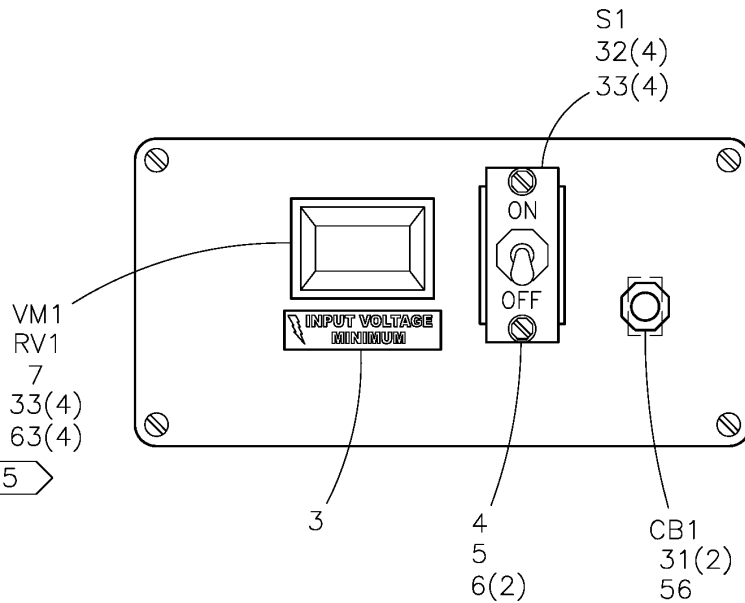
NOTE: THIS DRAWING AND THE INFORMATION CONTAINED THEREIN IS THE CONFIDENTIAL AND PROPRIETARY PROPERTY OF McElroy Manufacturing, Inc. THE DRAWING IS NOT TO BE REPRODUCED IN ANY MANNER, SUBMITTED OUTSIDE PARTIES FOR EXAMINATION, OR USED DIRECTLY OR INDIRECTLY FOR THE PURPOSES OTHER THAN THOSE FOR WHICH IT WAS FURNISHED WITHOUT WRITTEN PERMISSION OF McElroy Manufacturing, Inc.

**NOTES:**

5. DISCARD SCREWS INCLUDED WITH BEZEL AND SECURE WITH ITEM 63.



WIRING DETAIL FOR BOX ON SHEET 1A.

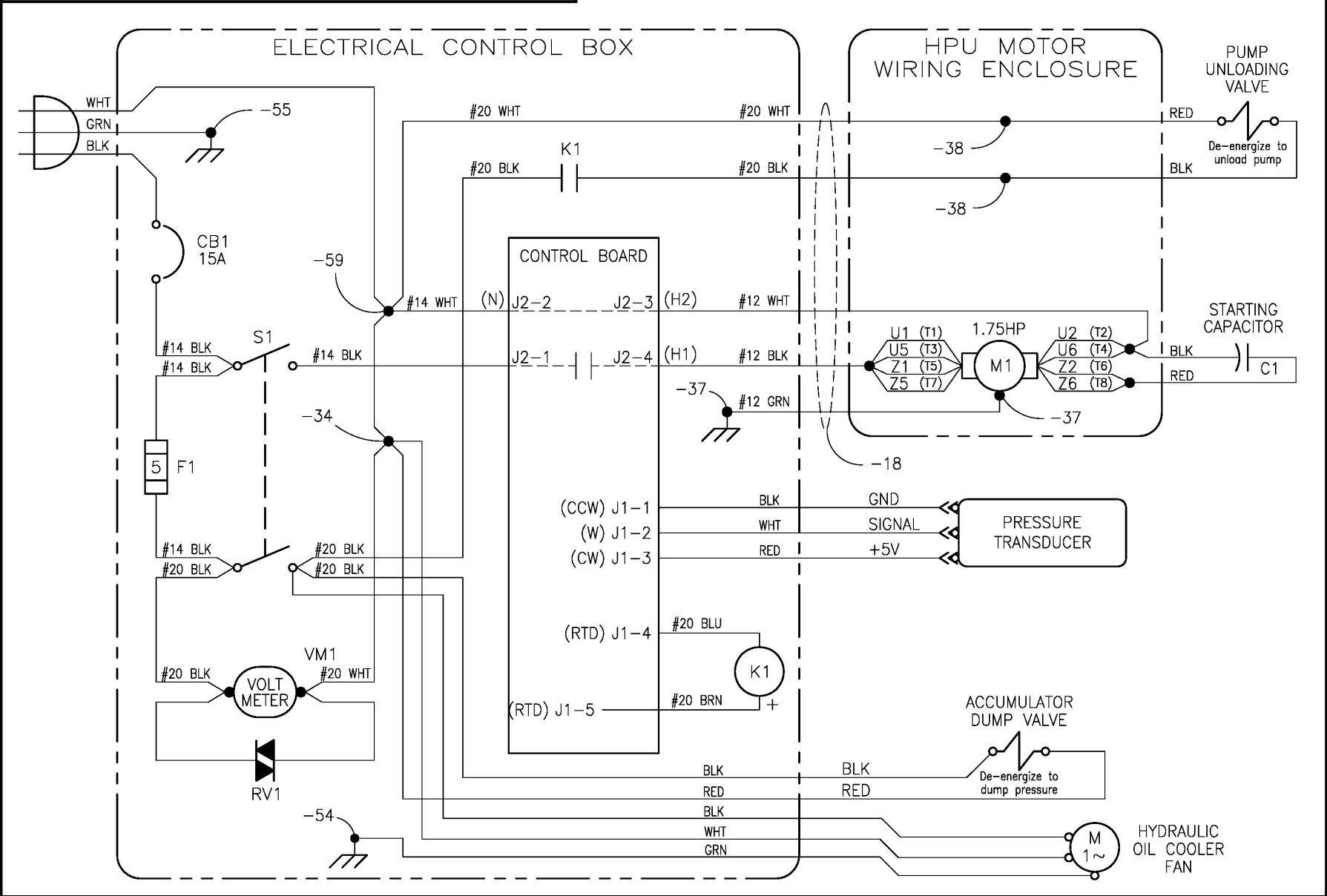




**McElroy Manufacturing, Inc.**  
The leader by design.  
Tulsa, Oklahoma U.S.A.

DRAWN: RLT	CHECK: BEA	APPRV'D: MRP	DATE: 6/21/12	DWG No: 1272900	SHT No: 5C	REV No: K	PART No: 1272905
DynaMc® EP HPU ELECTRICAL ASSEMBLY 120V, 60HZ, 1PH							CAD No: 1272905

NOTE: THIS DRAWING AND THE INFORMATION CONTAINED THEREIN IS THE CONFIDENTIAL AND PROPRIETARY PROPERTY OF McElroy Manufacturing, Inc. THE DRAWING IS NOT TO BE REPRODUCED IN ANY MANNER, SUBMITTED OUTSIDE PARTIES FOR EXAMINATION, OR USED DIRECTLY OR INDIRECTLY FOR THE PURPOSES OTHER THAN THOSE FOR WHICH IT WAS FURNISHED WITHOUT WRITTEN PERMISSION OF McElroy Manufacturing, Inc.



## McElroy Manufacturing Parts List

**Part Number:** 1272905 DynaMc Electric Pump 120V, 60Hz, 1Ph HPU Electrical Assembly

### Part Number 1272905 Component List

Item	Component	Description	Quantity	Unit	Price
CB1	MLS00002	15 Amp Circuit Breaker	1.0	EA	68.33
C1	MKF00006	80MFD Capacitor	1.0	EA	37.53
F1	MLQ00001	5 Amp Fuse	1.0	EA	6.64
K1	MKK00002	Solid State Relay	1.0	EA	219.00
RV1	MQH00031	275V, 23JOULES Mov	1.0	EA	2.02
S1	MKE00004	Dpdt On-off Toggle Switch	1.0	EA	68.57
VM1	MKH00080	85-264 Vrms Digital Voltmeter	1.0	EA	213.00
1	1273202	DM EP Hpu EL Box Mod W/cooler	1.0	EA	0.00
2	829201	Danger High Voltage Label	1.0	EA	4.69
3	816324	103 Min Input Voltage Label	1.0	EA	4.97
4	MLH00001	Switch Boot	1.0	EA	5.26
5	MLG00001	Switch Guard	1.0	EA	2.45
6	MAH00036	#6-32NCX3/8LG Hwh TC Scr	2.0	EA	0.35
7	MLN00384	Voltmeter Bezel	1.0	EA	37.28
8	1271501	Dynamc EP Control Pcb Assy	1.0	EA	140.00
9	MLK00062	Strain Relief Connector	1.0	EA	20.29
10	MLK00102	M20 X 2-HOLE Strain Relief	2.0	EA	0.00
11	MLK00100	M20 Strain Relief Connector	2.0	EA	0.00
12	MEA00100	Dynamc EP Hpu Power Pack	1.0	EA	3,794.00
13	MLF00073	Connector With 1M Pigtail	1.0	EA	134.00
14	MQF00072	Din 43650 "a" Connector 8-10MM (Effective to 6/23/13)	2.0	EA	16.81
14	MQF00209	Din 43650 Conn W/ Clear Cover	2.0	EA	29.03
15	MQF00073	Gasket (Effective to 11/4/15)	2.0	EA	0.00
15	MQF00211	Gasket	2.0	EA	26.82
16	MLE00010	#14/3 EL CABLE&CS90 Plug X20FT	1.0	EA	99.00
17	8163169	28/250 Power Circuit Label	1.0	EA	11.34
18	841303	12/3 Pwr Cord W/shield TW Pair	4.0	FT	46.08
19	MLE00049	#20/2 Elec Cable	4.0	FT	0.92
20	MAH00107	1/4-20NCX1-1/4LG Bhscs SS	2.0	EA	1.03
21	MBH00080	Unthrd Female Nylon 6/6 Spacer	2.0	EA	0.58
22	MLN00175	1/4 X 1/2OD Seal Washer	2.0	EA	1.19
23	MBC00005	1/4-20NC Fnsh Hex Nyl Lck Nut	2.0	EA	0.80
24	MAH00174	#10-24NCX3/4LG Phpms	2.0	EA	0.12
25	MBF00004	#10 TY 'a' Wide FL Wshr Stl PL	2.0	EA	0.10
26	MLN00194	#10 X 1/2 OD Seal Washer	2.0	EA	0.00
27	MBC00004	#10-24NC Mach Scr Nyl Lck Nut	2.0	EA	0.31
28	MLM00146	18-22 X 1/4 Female Disconnect	4.0	EA	2.60
29	MLL00054	#20 Mtw/tew Wire, Black	1.5	FT	0.23
30	MLL00055	#20 Mtw/tew Wire, White	1.8	FT	0.00
31	MLM00017	14-16 X 1/4 Female Disconnect (Effective to 5/18/15)	4.0	EA	2.70
31	MLM00168	14-16X1/4 Fem 90D Disconnect	4.0	EA	4.95
32	MLM00171	14-16 X #6 Ring Terminal	4.0	EA	1.92
33	MLM00261	18-22 X #6 Ring Terminal	8.0	EA	4.34
34	MQF00395	5 Pos Lever-nut Terminal Block	1.0	EA	2.68
35	MLS00020	3/8-27NS-2B Ckt Breaker Boot (Effective to 10/1/12)	1.0	EA	7.75
36	MLM00119	10-12 X #6 Ring Terminal (Effective to 10/1/12)	1.0	EA	0.00
37	MLM00148	10-12 X #8 Ring Terminal	2.0	BX	0.00
38	MLM00002	2/16-2/22 Closed End Splice	2.0	EA	0.79
39	MLL00002	#14 Mtw/tew Elec Wire, Black	2.0	FT	0.00
40	MLL00052	#14 Mtw/tew Wire, White	1.0	FT	0.53
41	MLL00080	#20 UL1007/UL1569 Wire, Blue	0.5	FT	0.00
42	MLL00081	#20 UL1007/UL1569 Wire, Brown	0.5	FT	0.00
43	MLN00476	M20 X 1.5 Locknut (Effective to 11/4/15)	1.0	EA	1.56

### McElroy Manufacturing Parts List

**Part Number:** 1272905 DynaMc Electric Pump 120V, 60Hz, 1Ph HPU Electrical Assembly

44	MLR00039	Type 3AG Fuse Holder	1.0 EA	0.00
45	MAN00079	#6-32NC X 1/2LG Bhscs SS	2.0 EA	1.01
46	MBC00002	#6-32NC Mach Scr Nyl Lck Nut	2.0 EA	0.75
47	MLN00206	#6 X 3/8OD Seal Washer SS	2.0 EA	0.00
48	MLM00266	18-22X0.11 Ins Fem Disconnect	2.0 EA	0.00
50	MLK00059	M16 Strain Relief	1.0 EA	2.79
51	MLN00113	5.5" X .095" Cable Tie	5.0 EA	0.15
52	MLE00098	#18/3 Sjo Elec Cable	4.0 FT	0.00
53	MAR00013	M4-.7MMX12MM LG Chsms SS	1.0 EA	0.51
54	MLM00275	18-22 X #8 Ring Terminal	2.0 EA	0.00
55	MLM00001	14-16 X #8 Ring Terminal	1.0 EA	0.43
56	MLS00035	Clear Pushbutton Ckt Brkr Boot	1.0 EA	11.17
57	MLM00217	#16 X 8MM Insulated Ferrule	4.0 EA	0.79
58	MQH00365	250V 130J 20MM Radial Varistor (Effective 6/24/13 to 10/23/13)	2.0 EA	4.96
58	MQH00390	150VRMS,45J,14MM Disc Varistor	2.0 EA	0.00
59	MLM00218	#14 X 8MM Insulated Ferrule	4.0 EA	0.80
60	MLM00216	#20 X 8MM Insulated Ferrule	1.0 EA	0.71
61	MLM00240	#18 X 6MM Insulated Ferrule	1.0 EA	0.00
62	MLM00250	#12 X 10MM Insulated Ferrule	2.0 EA	1.44
63	MAJ00014	#2-56NCX1/4LG Phpms Stil Pl/ss	4.0 EA	27.60

Please visit <https://fusion.mcelroy.com/parts> to purchase parts or for more information.