



McElroy Manufacturing, Inc.
The leader by design.
Tulsa, Oklahoma U.S.A.

DRAWN:

ERA

CHECK:

PJD

APPRVD:

JAL

DATE:

03/15/12

SHT

No:

1

REV

No:

PART

No:

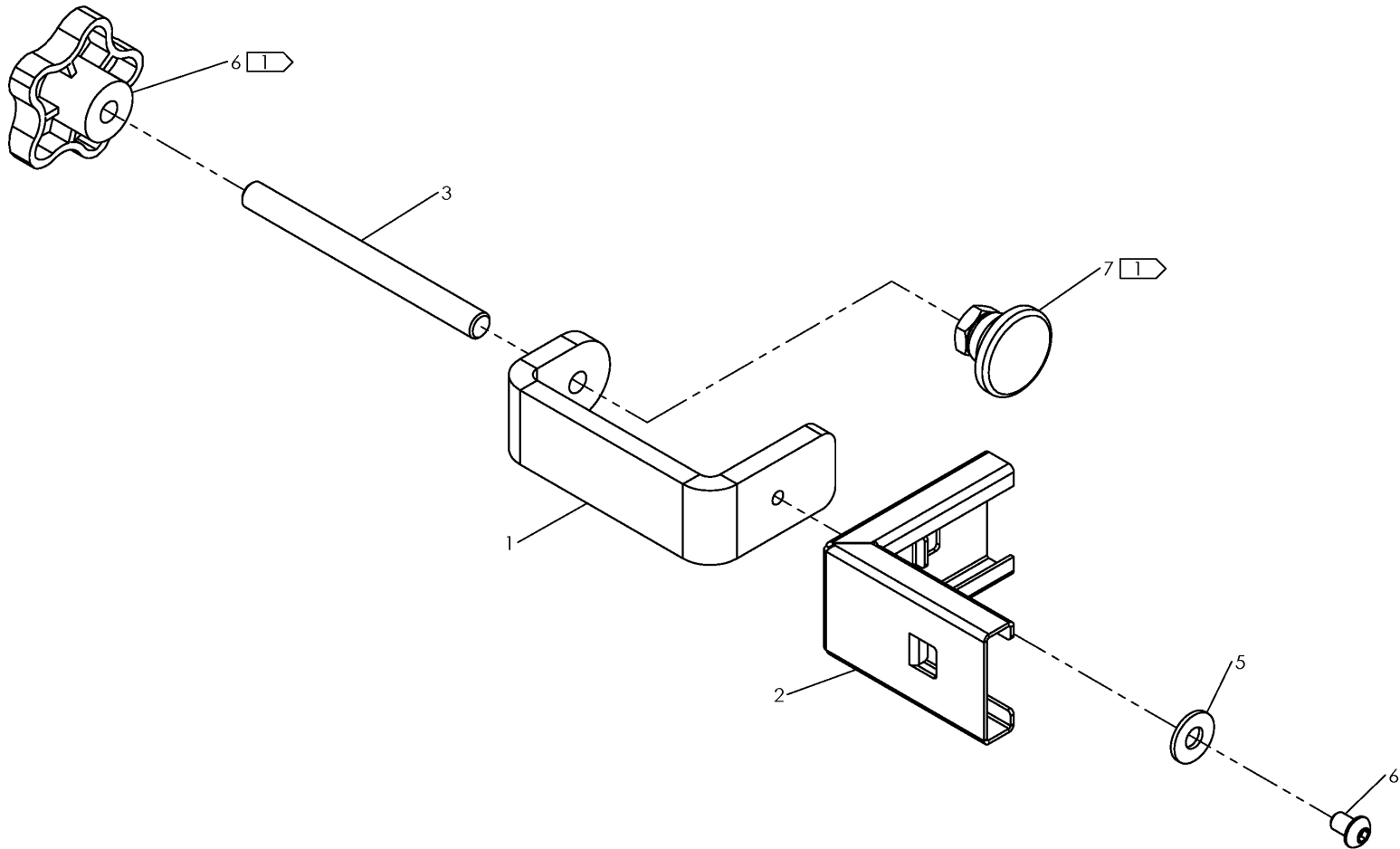
239301

HEATER BENCH MOUNT ASSEMBLY

NOTE: THIS DRAWING AND THE INFORMATION CONTAINED THEREIN IS THE CONFIDENTIAL AND PROPRIETARY PROPERTY OF McElroy Manufacturing, Inc. THE DRAWING IS NOT TO BE REPRODUCED IN ANY MANNER, SUBMITTED TO OUTSIDE PARTIES FOR EXAMINATION, OR USED DIRECTLY OR INDIRECTLY FOR THE PURPOSES OTHER THAN THOSE FOR WHICH IT WAS FURNISHED WITHOUT WRITTEN PERMISSION OF McElroy Manufacturing, Inc.

NOTES:

1. INSTALL USING MEDIUM STRENGTH LOCK-TITE.



McElroy Manufacturing Parts List

Part Number: 239301 Heater Bench Mount Assembly

Part Number 239301 Component List

Item	Component	Description	Quantity	Unit	Price
1	239401	Bench Mount Base	1.0	EA	0.00
2	239501	Bench Mount Receiver	1.0	EA	0.00
3	MAH00247	3/8-16NCX4LG Full Thread Stud,	1.0	EA	0.00
4	MAN00010	1/4-20NCX3/8LG Bhscs SS	1.0	EA	1.08
5	MBF00005	1/4 TY 'a' Wide FL Wshr Stil PL	1.0	EA	0.11
6	MJJ00052	Clamp Knob	1.0	EA	11.89
7	MNE00001	Steel Socket Leveling Pad	1.0	EA	0.00

Please visit <https://fusion.mcelroy.com/parts> to purchase parts or for more information.

