

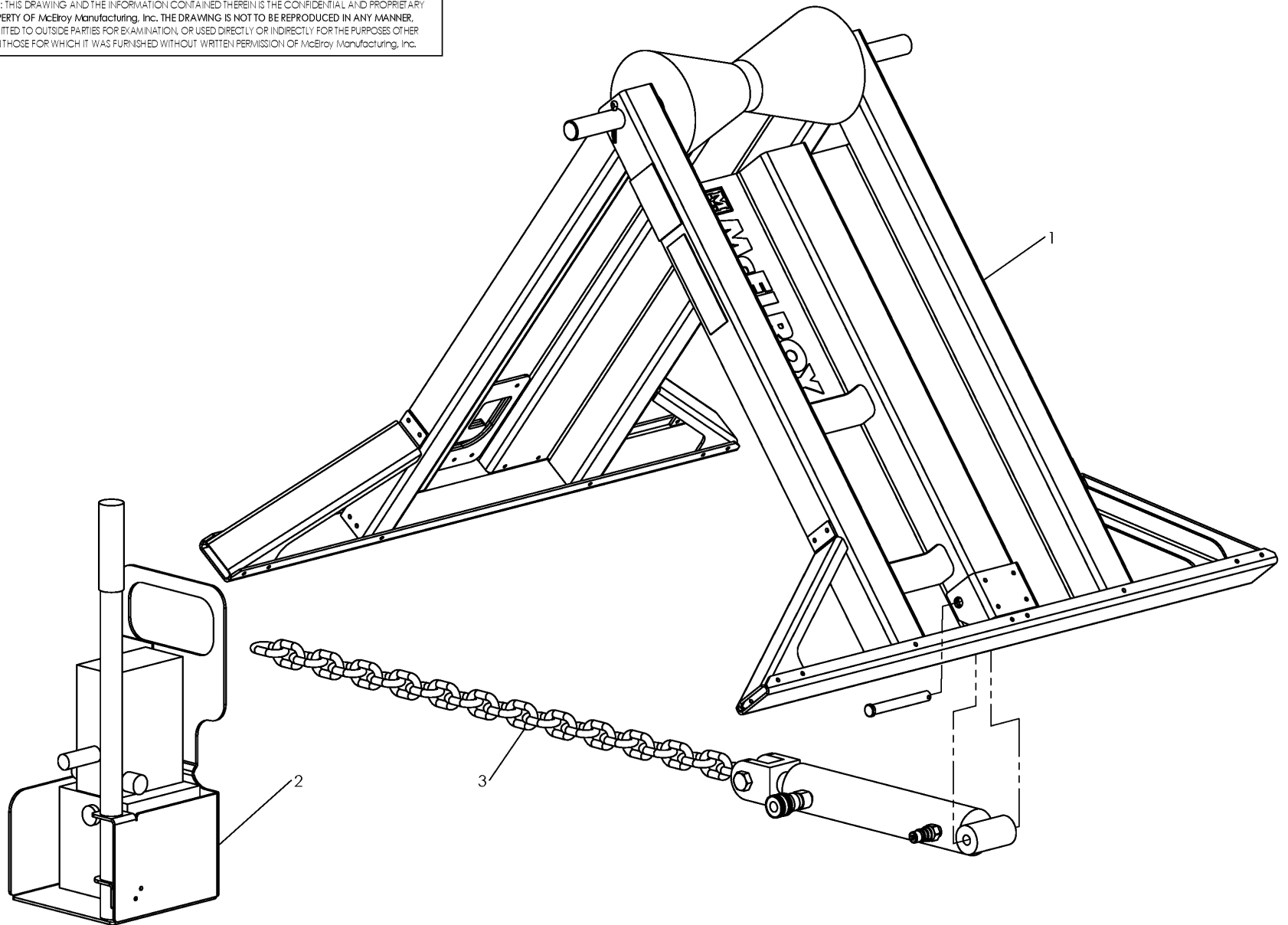


McElroy Manufacturing, Inc.
The leader by design.
Tulsa, Oklahoma U.S.A.

DRAWN: CRN CHECK: JBC APPRVD: BWJ DATE: 11/12/15 SHT No: 1 REV No: PART No: AT5066703

12/18/500 PIPE STAND WITH HYDRAULIC HEIGHT ADJUST AND PUMP PACKAGE

NOTE: THIS DRAWING AND THE INFORMATION CONTAINED THEREIN IS THE CONFIDENTIAL AND PROPRIETARY PROPERTY OF McElroy Manufacturing, Inc. THE DRAWING IS NOT TO BE REPRODUCED IN ANY MANNER, SUBMITTED TO OUTSIDE PARTIES FOR EXAMINATION, OR USED DIRECTLY OR INDIRECTLY FOR THE PURPOSES OTHER THAN THOSE FOR WHICH IT WAS FURNISHED WITHOUT WRITTEN PERMISSION OF McElroy Manufacturing, Inc.



[Click Here to View Item Online](#)

McElroy Manufacturing Parts List

Part Number: AT5066703 12/18/500 Pipe Stand with Hydraulic Height Adjust & Pump Package (Consists of (1)AT5066901, (1)T5066803 & (1)T5067001)

Please visit <https://fusion.mcelroy.com/parts> to purchase parts or for more information.

