



McElroy Manufacturing, Inc.  
The leader by design.  
Tulsa, Oklahoma U.S.A.

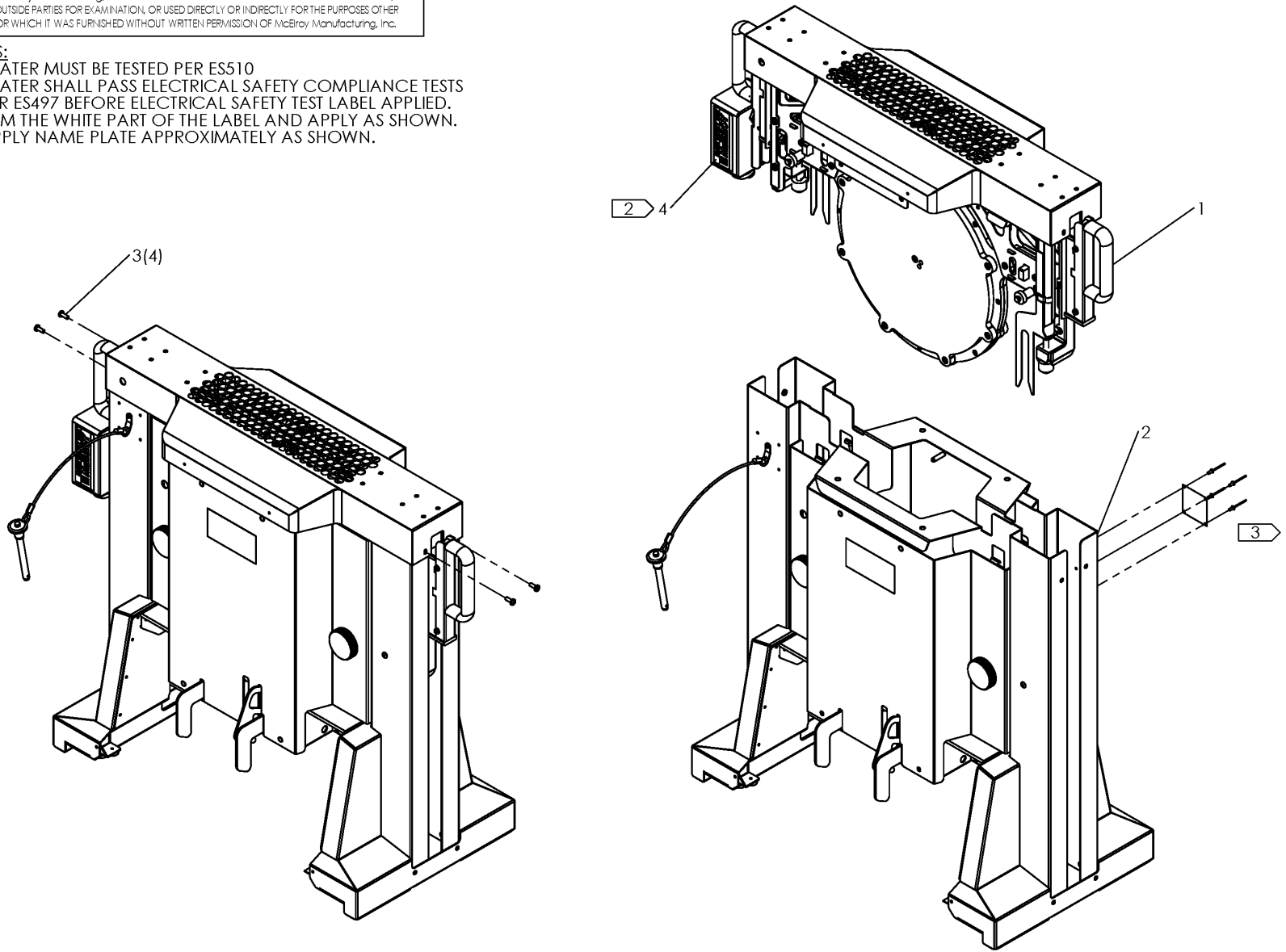
DRAWN: ARB    CHECK: WBD    APPR'VD: DWP    DATE: 11/12/08    SHT No: 1    REV No: C    PART No: 889201

DynaMc 250 AUTOMATED HEATER ASSEMBLY

NOTE: THIS DRAWING AND THE INFORMATION CONTAINED THEREIN IS THE CONFIDENTIAL AND PROPRIETARY PROPERTY OF McElroy Manufacturing, Inc. THE DRAWING IS NOT TO BE REPRODUCED IN ANY MANNER, SUBMITTED TO OUTSIDE PARTIES FOR EXAMINATION, OR USED DIRECTLY OR INDIRECTLY FOR THE PURPOSES OTHER THAN THOSE FOR WHICH IT WAS FURNISHED WITHOUT WRITTEN PERMISSION OF McElroy Manufacturing, Inc.

NOTES:

1. HEATER MUST BE TESTED PER ES510
2. HEATER SHALL PASS ELECTRICAL SAFETY COMPLIANCE TESTS PER ES497 BEFORE ELECTRICAL SAFETY TEST LABEL APPLIED. TRIM THE WHITE PART OF THE LABEL AND APPLY AS SHOWN.
3. APPLY NAME PLATE APPROXIMATELY AS SHOWN.



## McElroy Manufacturing Parts List

**Part Number:** 889201 DynaMc 250 Automated 110-120V Heater Assembly

### Part Number 889201 Component List

Item	Component	Description	Quantity	Unit	Price
1	889301	DynaMc 250 110-120V Internal Heater Chassis Assembly	1.0	EA	0.00
2	889401	DynaMc 250 External Heater Frame Assembly	1.0	EA	0.00
3	MAH00154	#10-32NFX1/2LG Rhpms	4.0	EA	0.00

Please visit <https://fusion.mcelroy.com/parts> to purchase parts or for more information.

