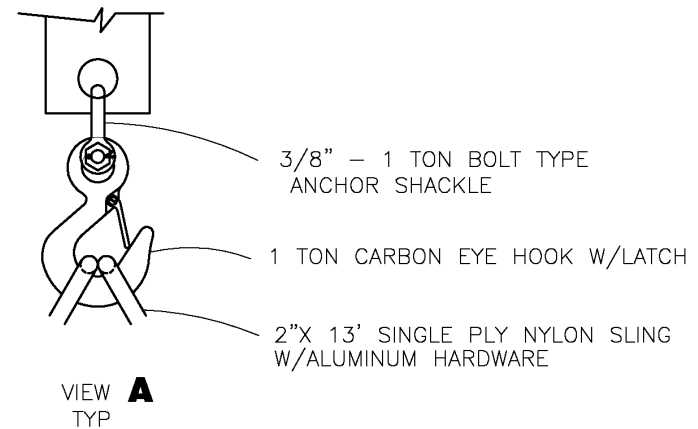
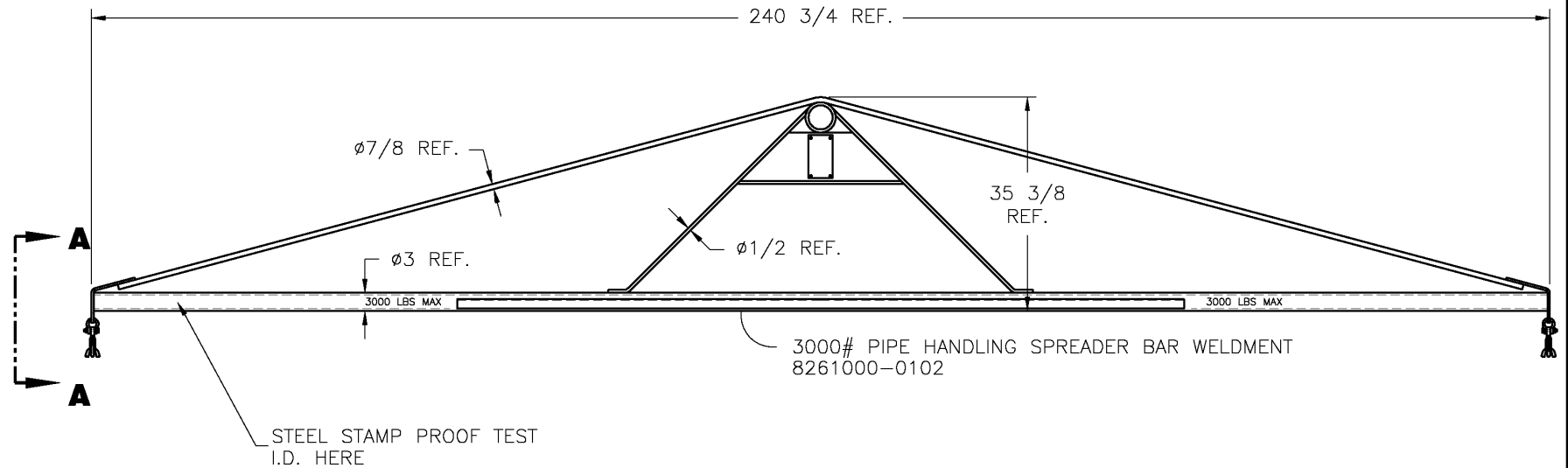




McElroy Manufacturing, Inc.
The leader by design.
Tulsa, Oklahoma U.S.A.

DRAWN: DJL	CHECK: BWP	APPRV'D: SWB	DATE: 9/20/96	DWG No: 8261000	SHT No: 1	REV No: G	PART No: 8261000-0101
3000 lb PIPE HANDLING SPREADER BAR ASSEMBLY							CAD No: 0101

NOTE: THIS DRAWING AND THE INFORMATION CONTAINED THEREIN IS THE CONFIDENTIAL AND PROPRIETARY PROPERTY OF McElroy Manufacturing, Inc. THE DRAWING IS NOT TO BE REPRODUCED IN ANY MANNER, SUBMITTED OUTSIDE PARTIES FOR EXAMINATION, OR USED DIRECTLY OR INDIRECTLY FOR THE PURPOSES OTHER THAN THOSE FOR WHICH IT WAS FURNISHED WITHOUT WRITTEN PERMISSION OF McElroy Manufacturing, Inc.



NOTES:

1. PROOF TEST TO 6000# BEFORE SHIPPING.
2. THIS ASSEMBLY IS PROOF TESTED & CERTIFIED TO LIFT THE SPECIFIED LOAD SHOWN ON THE DRAWING. REPLACEMENT PARTS ARE AVAILABLE ONLY BY SENDING THE ENTIRE SPREADER BAR ASSEMBLY BACK TO McELROY. AFTER THE REPLACEMENT PARTS HAVE BEEN INSTALLED THE ASSEMBLY WILL BE PROOF TESTED AGAIN & RE-CERTIFIED.
3. APPROX. WEIGHT = 317.5 LBS

McElroy Manufacturing Parts List

Part Number: 8261000-0101 3,000 lb Pipe Handling Spreader Bar Assembly

Please visit <https://fusion.mcelroy.com/parts> to purchase parts or for more information.

