

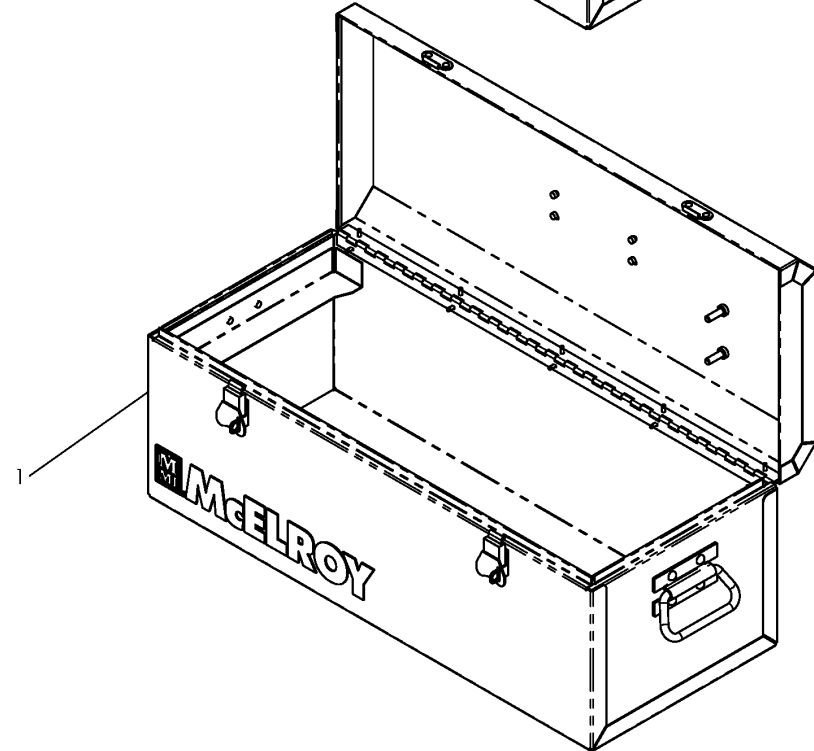
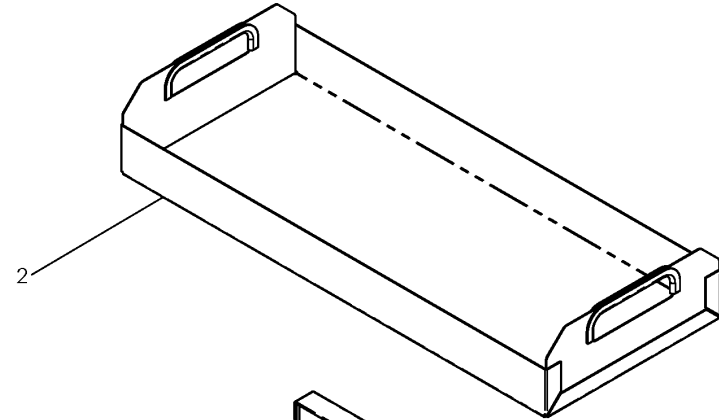
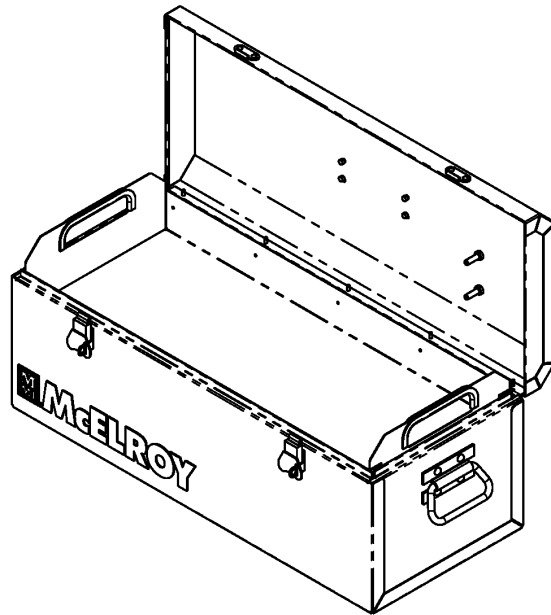


McElroy Manufacturing, Inc.
The leader by design.
Tulsa, Oklahoma U.S.A.

DRAWN: LBK CHECK: JBC APPR'VD: DWP DATE: 9/30/09 SHT No: 1 REV No: C PART No: SW16001

STORAGE BOX ASSEMBLY

NOTE: THIS DRAWING AND THE INFORMATION CONTAINED THEREIN IS THE CONFIDENTIAL AND PROPRIETARY PROPERTY OF McElroy Manufacturing, Inc. THE DRAWING IS NOT TO BE REPRODUCED IN ANY MANNER, SUBMITTED TO OUTSIDE PARTIES FOR EXAMINATION, OR USED DIRECTLY OR INDIRECTLY FOR THE PURPOSES OTHER THAN THOSE FOR WHICH IT WAS FURNISHED WITHOUT WRITTEN PERMISSION OF McElroy Manufacturing, Inc.



McElroy Manufacturing Parts List

Part Number: SW16001 Storage Box Assembly

Part Number SW16001 Component List

Item	Component	Description	Quantity	Unit	Price
1	SW16801	Box Assembly	1.0	EA	458.00
2	SW16901	Tray Assembly	1.0	EA	71.59

Please visit <https://fusion.mcelroy.com/parts> to purchase parts or for more information.

