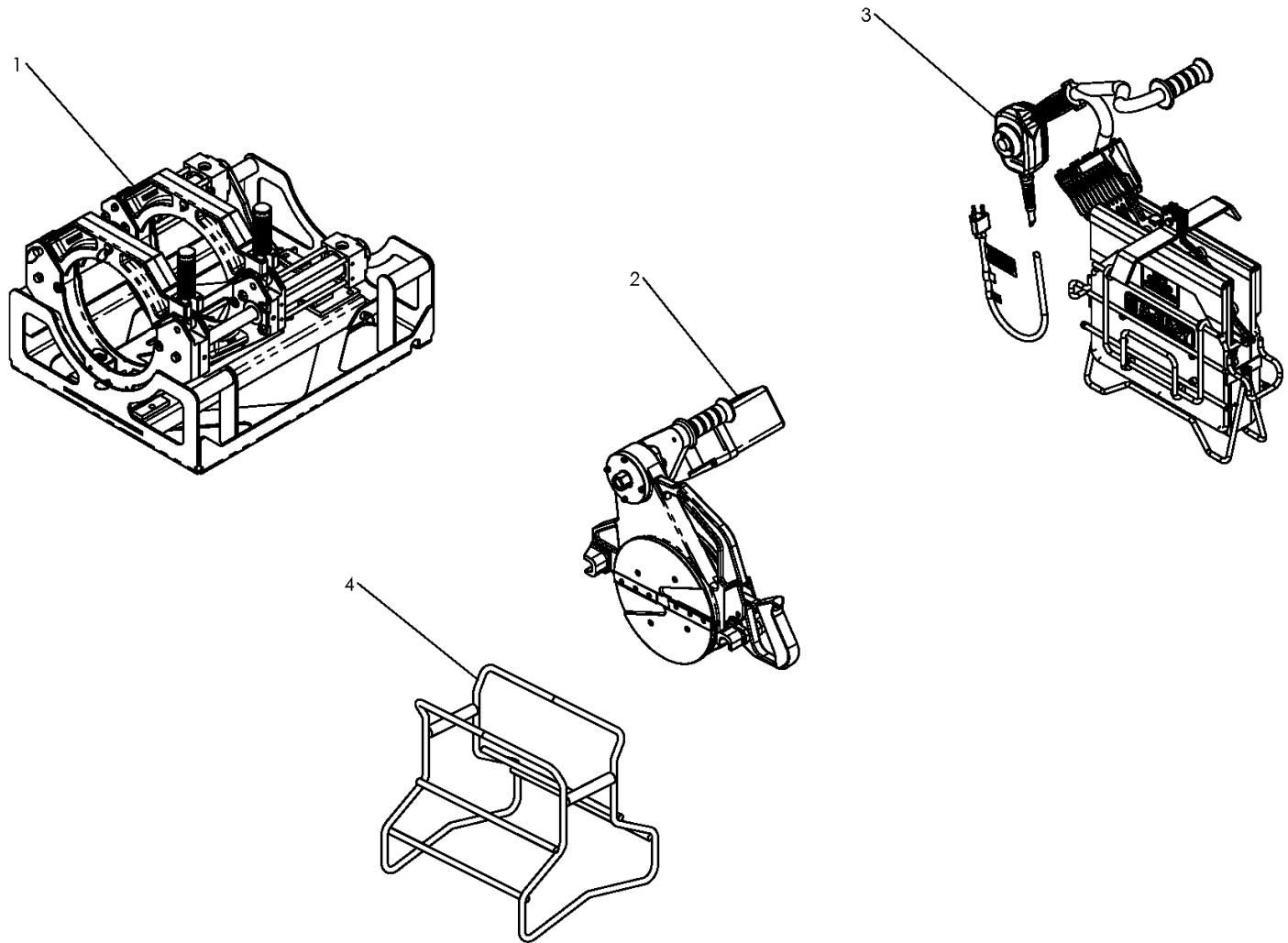




DRAWN:	FAW	CHECK:	TKD	APPRVD:	BLM	DATE:	4/20/10	SHT No:	1 of 1	REV No:	A	PART No:	A900400
--------	-----	--------	-----	---------	-----	-------	---------	---------	--------	---------	---	----------	---------

DynaMc® 250 EP 2 JAW FUSION MACHINE PACKAGE

NOTE: THIS DRAWING AND THE INFORMATION CONTAINED THEREIN IS THE CONFIDENTIAL AND PROPRIETARY PROPERTY OF McElroy Manufacturing, Inc. THE DRAWING IS NOT TO BE REPRODUCED IN ANY MANNER, SUBMITTED TO OUTSIDE PARTIES FOR EXAMINATION, OR USED DIRECTLY OR INDIRECTLY FOR THE PURPOSES OTHER THAN THOSE FOR WHICH IT WAS FURNISHED WITHOUT WRITTEN PERMISSION OF McElroy Manufacturing, Inc.



McElroy Manufacturing Parts List

Part Number: A900401 DynaMc 250 Electric Pump 2 Jaw 120V & 240V, 50/60Hz Fusion Machine Package (120V Facer & 240V Heater)

Part Number A900401 Component List

Item	Component	Description	Quantity	Unit	Price
1	900401	DynaMc 250 Electric Pump 2 Jaw Carriage Assembly	1.0	EA	10,516.00
2	900801	DynaMc 250 Hand Pump 100-120V, 50/60Hz, 1Ph Facer Assembly	1.0	EA	6,278.00
3	T2501002	Obsolete & Replaced by T2515901 (Effective to 7/5/20)	1.0	EA	0.00
3	T2515901	250mm 240V Heater Assembly	1.0	EA	4,809.00
4	T801101	Facer Stand	1.0	EA	448.00

Please visit <https://fusion.mcelroy.com/parts> to purchase parts or for more information.

