

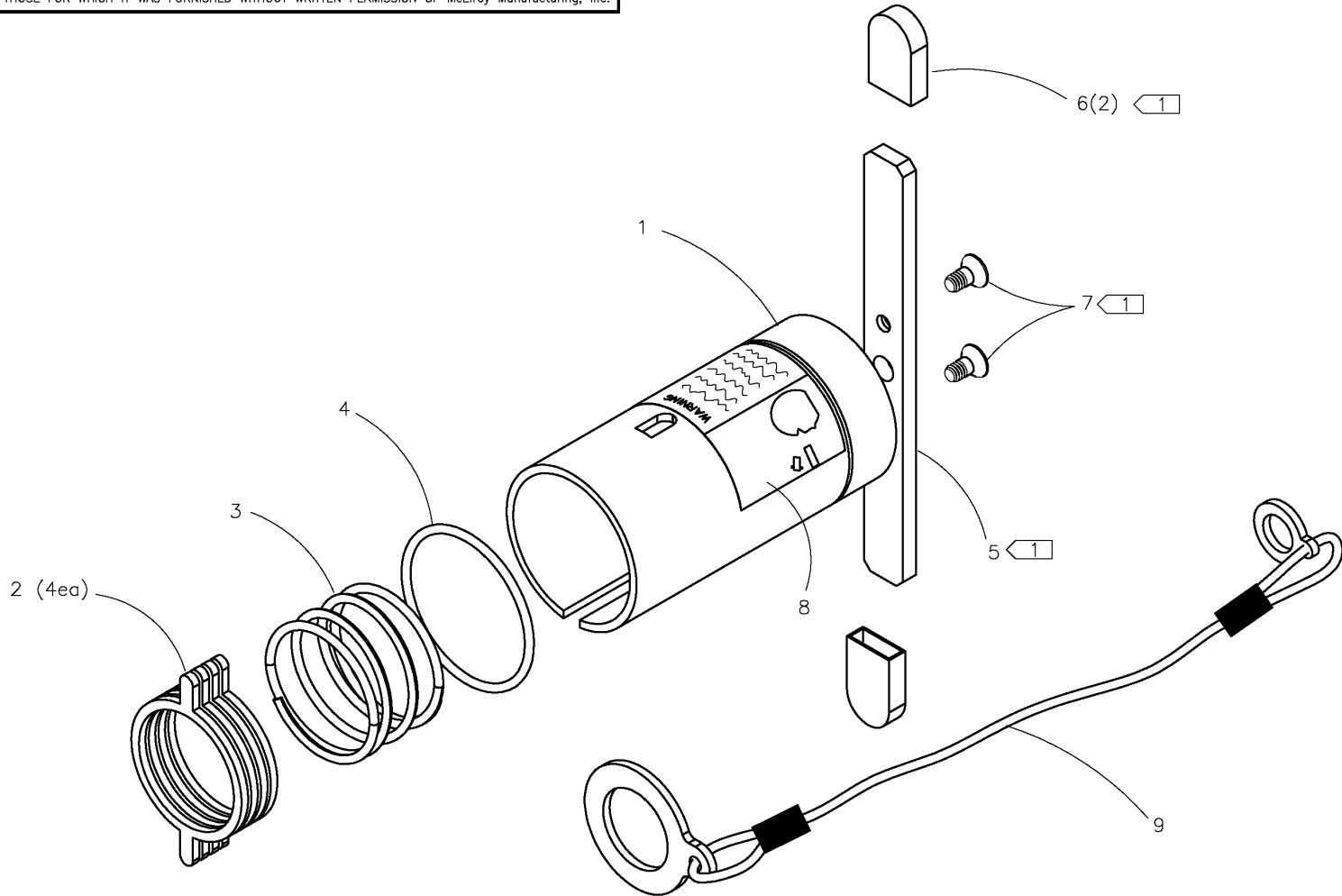


McElroy Manufacturing, Inc.
 The leader by design.
 Tulsa, Oklahoma U.S.A.

| | | | | | | | |
|-------------------|------------|--------------|----------------|----------------|-----------|---------|--------------------|
| DRAWN: BWW | CHECK: MLM | APPRV'D: SRB | DATE: 11/19/04 | DWG No: TP-300 | SHT No: 1 | REV No: | PART No: TABULATED |
| TEST CAP ASSEMBLY | | | | | | | CAD No: TP-300 |

NOTE: THIS DRAWING AND THE INFORMATION CONTAINED THEREIN IS THE CONFIDENTIAL AND PROPRIETARY PROPERTY OF McElroy Manufacturing, Inc. THE DRAWING IS NOT TO BE REPRODUCED IN ANY MANNER, SUBMITTED OUTSIDE PARTIES FOR EXAMINATION, OR USED DIRECTLY OR INDIRECTLY FOR THE PURPOSES OTHER THAN THOSE FOR WHICH IT WAS FURNISHED WITHOUT WRITTEN PERMISSION OF McElroy Manufacturing, Inc.

NOTES:
 1. PARTS FOR 2" IPS ONLY.



UNLESS NOTED OTHERWISE: (3) PLC. DIM'S .XXX = ±0.005"
 (2) PLC. DIM'S .XX = ±0.010"
 FRACTIONAL DIM'S = ±1/32"
 ANGULAR DIM'S = ±1/4"
 REMOVE ALL BURRS
 BREAK ALL SHARP EDGES
 STAMP OR ETCH P/N ON ALL DETAIL PARTS

| MMI NUMBER | ITEM | QTY. | SIZE AND DESCRIPTION |
|------------|------|------|----------------------|
| | | | |

McElroy Manufacturing Parts List

Part Number: TP-305 1CTS Test Cap Assembly

Part Number TP-305 Component List

| Item | Component | Description | Quantity | Unit | Price |
|------|-----------|---------------------------------|----------|------|-------|
| 1 | TP-405 | 1CTS Test Cap Housing | 1.0 | EA | 0.00 |
| 2 | TP-605 | 1CTS Test Cap Locking Ring | 4.0 | EA | 21.72 |
| 3 | TP-702 | 1CTS-1-1/4CTS TC Comp Spring | 1.0 | EA | 17.29 |
| 4 | MDL00171 | Buna-n 70 Duro O-ring | 1.0 | EA | 0.12 |
| 8 | TP-1201 | Test Cap Warning Label | 1.0 | EA | 12.10 |
| 9 | TP-1105 | 1 CTS Test Cap Lanyard Assembly | 1.0 | EA | 77.05 |

Please visit <https://fusion.mcelroy.com/parts> to purchase parts or for more information.

