

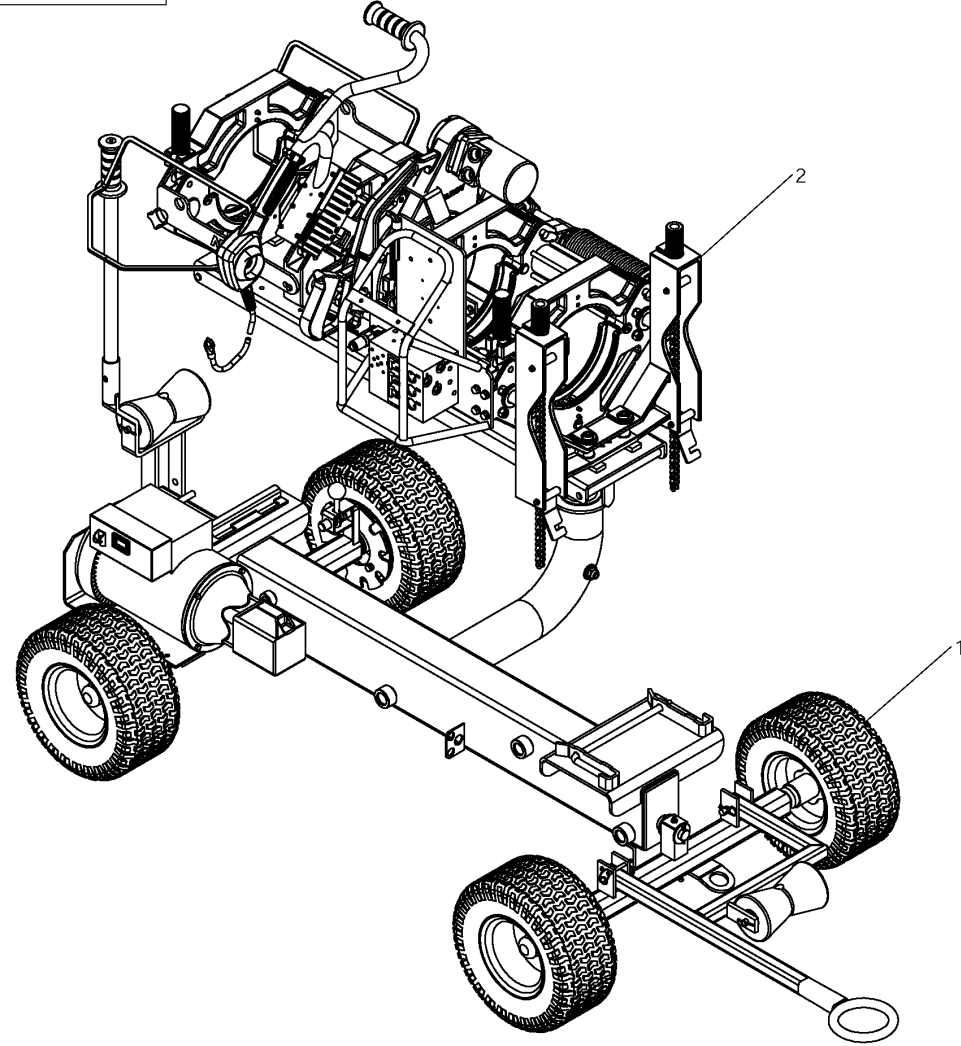


McElroy Manufacturing, Inc.
The leader by design.
Tulsa, Oklahoma U.S.A.

DRAWN: JAB	CHECK: SWB	APPRVD: SWB	DATE: 12/16/05	SHT No: 1	REV No: B	PART No: A860801,02,03,08
------------	------------	-------------	----------------	-----------	-----------	---------------------------

No. 28 COMBINATION FUSION MACHINE PACKAGE

NOTE: THIS DRAWING AND THE INFORMATION CONTAINED THEREIN IS THE CONFIDENTIAL AND PROPRIETARY PROPERTY OF McElroy Manufacturing, Inc. THE DRAWING IS NOT TO BE REPRODUCED IN ANY MANNER, SUBMITTED TO OUTSIDE PARTIES FOR EXAMINATION, OR USED DIRECTLY OR INDIRECTLY FOR THE PURPOSES OTHER THAN THOSE FOR WHICH IT WAS FURNISHED WITHOUT WRITTEN PERMISSION OF McElroy Manufacturing, Inc.



McElroy Manufacturing Parts List

Part Number: A860801 28 DIPS HF 120v,60Hz,1Ph Combination Fusion Machine Package

Part Number A860801 Component List

Item	Component	Description	Quantity	Unit	Price
1	A860701	28 120V,60Hz,1Ph Rolling Vehicle Package	1.0	EA	8,218.00
2	AT805506	PitBull 28 HF Combination 120V Fusion Machine Package	1.0	EA	19,370.00

Please visit <https://fusion.mcelroy.com/parts> to purchase parts or for more information.

