



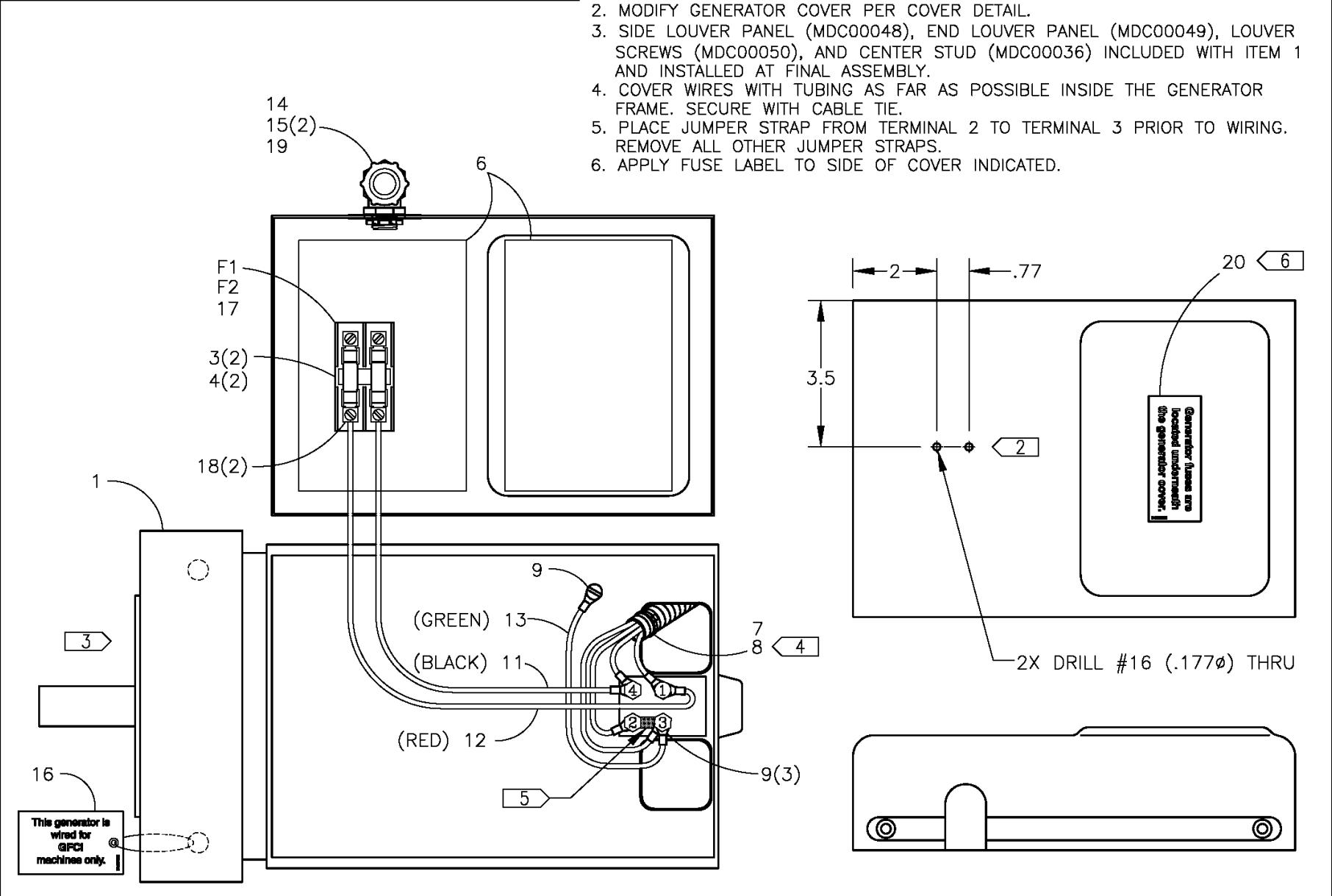
**McElroy Manufacturing, Inc.**  
 The leader by design.  
 Tulsa, Oklahoma U.S.A.

DRAWN: BEA	CHECK: MJA	APPRV'D: JRP	DATE: 11/5/10	DWG No: T1217800	SHT No: 1	REV No: F	PART No: T1217801
#412 / #618 / T28 GFCI GENERATOR ASSEMBLY							CAD No: T1217801

NOTE: THIS DRAWING AND THE INFORMATION CONTAINED THEREIN IS THE CONFIDENTIAL AND PROPRIETARY PROPERTY OF McElroy Manufacturing, Inc. THE DRAWING IS NOT TO BE REPRODUCED IN ANY MANNER, SUBMITTED OUTSIDE PARTIES FOR EXAMINATION, OR USED DIRECTLY OR INDIRECTLY FOR THE PURPOSES OTHER THAN THOSE FOR WHICH IT WAS FURNISHED WITHOUT WRITTEN PERMISSION OF McElroy Manufacturing, Inc.

**NOTES:**

1. ITEMS SHOWN IN PARENTHESIS REFLECT QUANTITIES IN A LOCAL GROUP AND MAY NOT INDICATE TOTAL ASSEMBLY QUANTITIES.
2. MODIFY GENERATOR COVER PER COVER DETAIL.
3. SIDE LOUVER PANEL (MDC00048), END LOUVER PANEL (MDC00049), LOUVER SCREWS (MDC00050), AND CENTER STUD (MDC00036) INCLUDED WITH ITEM 1 AND INSTALLED AT FINAL ASSEMBLY.
4. COVER WIRES WITH TUBING AS FAR AS POSSIBLE INSIDE THE GENERATOR FRAME. SECURE WITH CABLE TIE.
5. PLACE JUMPER STRAP FROM TERMINAL 2 TO TERMINAL 3 PRIOR TO WIRING. REMOVE ALL OTHER JUMPER STRAPS.
6. APPLY FUSE LABEL TO SIDE OF COVER INDICATED.



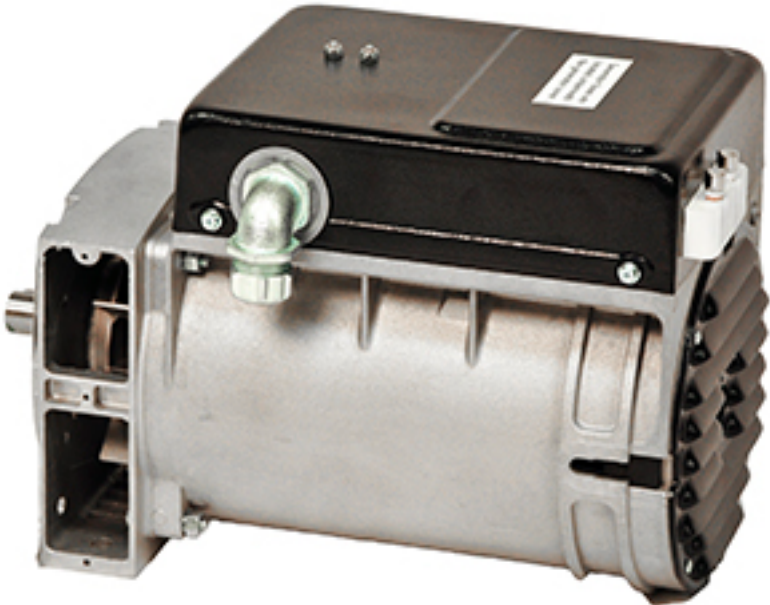
This generator is wired for GFCI machines only.

### McElroy Manufacturing Parts List

**Part Number:** T1217801 412/618/TracStar 28 GFCI Generator Assembly (SEE ADDITIONAL DOCUMENTS BELOW)



412/618/128 gfc gen assy



412/618/t28 gfc gen assy

**Part Number T1217801 Component List**

Item	Component	Description	Quantity	Unit	Price
F1	MLQ00078	15 Amp Non-rejection Fuse	1.0	EA	26.65
F2	MLQ00078	15 Amp Non-rejection Fuse	1.0	EA	26.65
1	MDC00027	5KVA 60/120/240V,60HZ AC Gen	1.0	EA	1,290.00

### McElroy Manufacturing Parts List

**Part Number:** T1217801 412/618/TracStar 28 GFCI Generator Assembly (SEE ADDITIONAL DOCUMENTS BELOW)

2	MLR00032	Panel Mount Fuse Holder (Effective to 11/7/11)	2.0 EA	38.03
3	MAH00034	#8-32NCX1/2LG Rhsms	2.0 EA	1.08
4	MBC00003	#8-32NC Mach Scr Nyl Lck Nut	2.0 EA	0.38
5	MLR00033	Spare Fuse Holder (Effective to 9/23/20)	1.0 EA	27.52
6	MJQ00381	Damping Sheet	0.03 EA	86.59
7	MLW00011	1/2DIA Split Corrugated Tubing	0.13 FT	0.00
8	MLN00113	5.5" X .095" Cable Tie	1.0 EA	0.15
9	MLM00133	14-16 X #10 Ring Terminal	4.0 EA	0.77
10	MLM00017	14-16 X 1/4 Female Disconnect (Effective to 11/7/11)	2.0 EA	2.70
11	MLL00002	#14 Mtw/tew Elec Wire, Black	1.0 FT	0.00
12	MLL00058	#14 Mtw/tew Wire, Red	1.0 FT	0.54
13	MLL00053	#14 Mtw/tew Wire,	0.5 FT	0.00
14	MLK00040	3/4 X 90DEG Strain Relief Conn	1.0 EA	53.67
15	MLJ00082	1-1/4X3/4 Reducer Washer	2.0 EA	2.19
16	8163189	Gfci Generator Label	1.0 EA	5.48
17	MLR00042	Non-rejection Fuse Block	1.0 EA	44.29
18	MLM00218	#14 X 8MM Insulated Ferrule	2.0 EA	0.80
19	MLN00362	3/4" Elec Lock Nut	1.0 EA	1.18
20	8163203	Gen Cover Fuse Locator Label	1.0 EA	10.00

Please visit <https://fusion.mcelroy.com/parts> to purchase parts or for more information.