

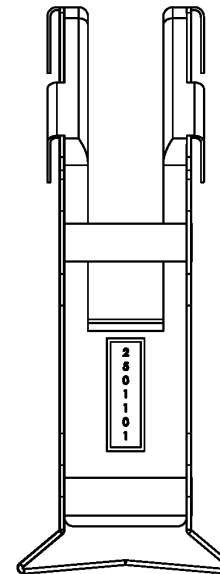
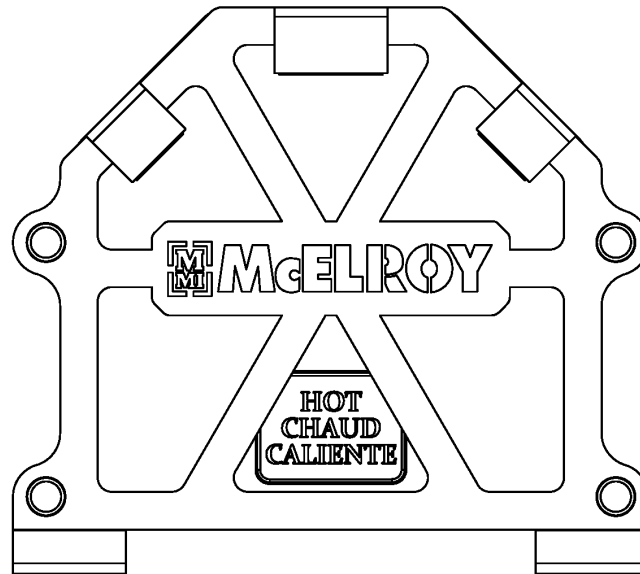
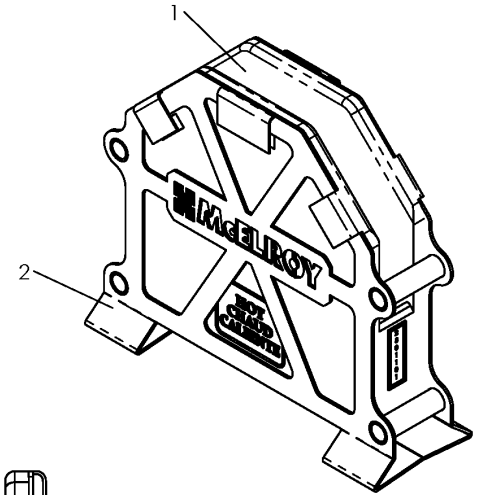


McElroy Manufacturing, Inc.
The leader by design.
Tulsa, Oklahoma U.S.A.

DRAWN: DCG CHECK: MT APPR'VD: PJD DATE: 7/10/15 SHT No: 1 REV No: A PART No: 2501001

HEATER BAG ASSEMBLY

NOTE: THIS DRAWING AND THE INFORMATION CONTAINED THEREIN IS THE CONFIDENTIAL AND PROPRIETARY PROPERTY OF McElroy Manufacturing, Inc. THE DRAWING IS NOT TO BE REPRODUCED IN ANY MANNER, SUBMITTED TO OUTSIDE PARTIES FOR EXAMINATION, OR USED DIRECTLY OR INDIRECTLY FOR THE PURPOSES OTHER THAN THOSE FOR WHICH IT WAS FURNISHED WITHOUT WRITTEN PERMISSION OF McElroy Manufacturing, Inc.



McElroy Manufacturing Parts List

Part Number: 2501001 Heater Bag Assembly

Part Number 2501001 Component List

Item	Component	Description	Quantity	Unit	Price
1	2501101	Heater Bag	1.0	EA	284.00
2	2501201	Heater Bag Frame	1.0	EA	513.00

Please visit <https://fusion.mcelroy.com/parts> to purchase parts or for more information.

