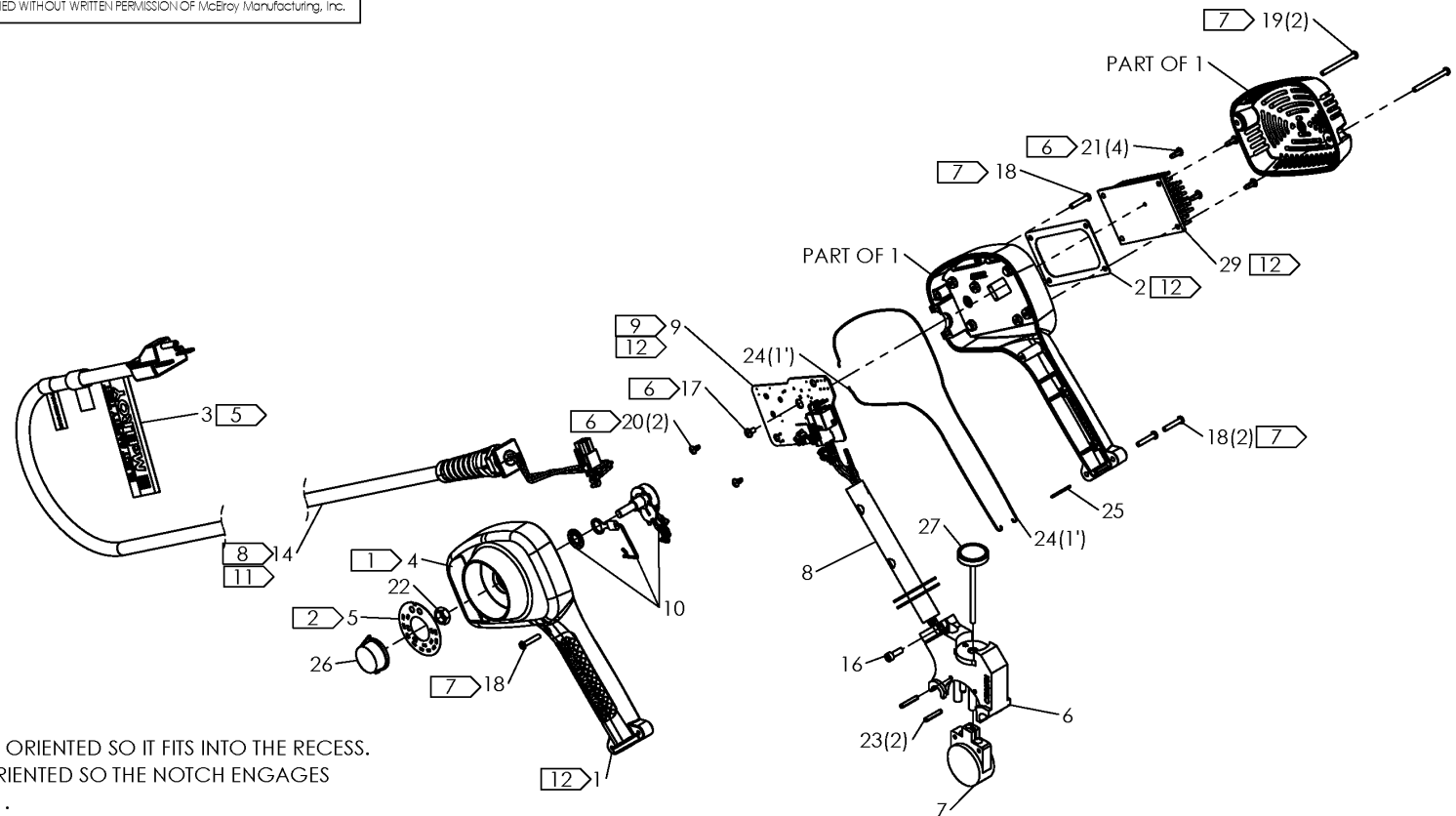


## 1LC 240V HEATER ASSEMBLY

NOTE: THIS DRAWING AND THE INFORMATION CONTAINED THEREIN IS THE CONFIDENTIAL AND PROPRIETARY PROPERTY OF McElroy Manufacturing, Inc. THE DRAWING IS NOT TO BE REPRODUCED IN ANY MANNER, SUBMITTED TO OUTSIDE PARTIES FOR EXAMINATION, OR USED DIRECTLY OR INDIRECTLY FOR THE PURPOSES OTHER THAN THOSE FOR WHICH IT WAS FURNISHED WITHOUT WRITTEN PERMISSION OF McElroy Manufacturing, Inc.

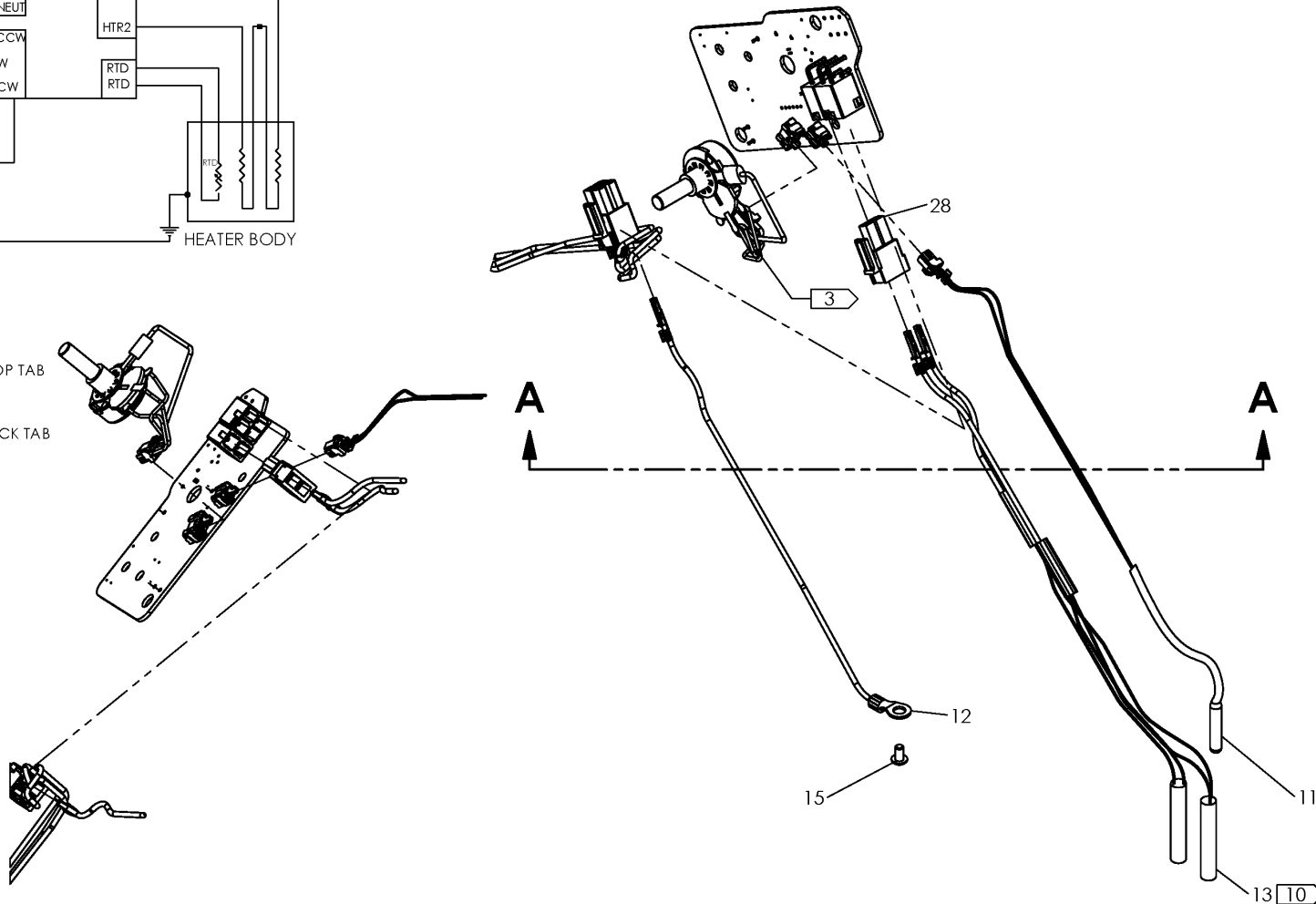
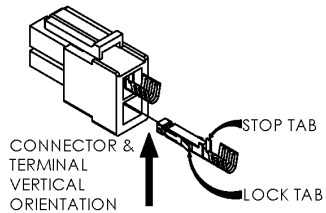
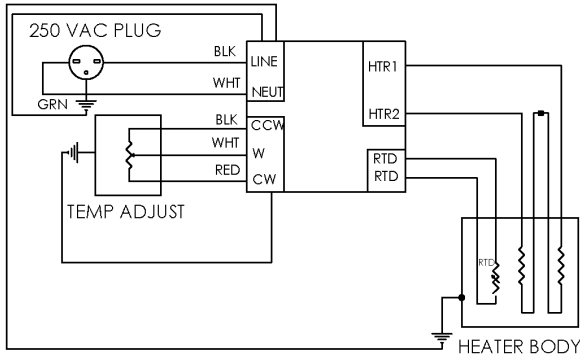


### NOTES:

1. ITEM 4 SHOULD BE ORIENTED SO IT FITS INTO THE RECESS.
2. ITEM 5 MUST BE ORIENTED SO THE NOTCH ENGAGES THE KEY ON ITEM 1.
3. RING TERMINAL MUST BE ORIENTED AS SHOWN.
4. SET AND CHECK TEMPERATURE PER ES389.
5. HEATER SHALL PASS ALL ELECTRICAL SAFETY COMPLIANCE TESTS PER ES497 BEFORE INSTALLING ELECTRICAL SAFETY TEST LABEL.
6. TORQUE TO 5 IN-LBS.
7. TORQUE TO 23 IN-LBS.
8. THE STRAIN RELIEF OF THE POWER CORD SHOULD ALREADY BE TORQUED TO 20 IN-LBS.
9. APPLY THIN LAYER OF HTRC COMPOUND TO TRIAC ON BACK SIDE OF THE PCB.
10. ORDER AT5078017 KIT TO REPLACE CARTRIDGE ELEMENTS
11. ORDER AT5078124 KIT TO REPLACE POWER CABLE.
12. COMPONENT MUST BE ORDERED AS PART OF THE T5033301 SUBASSEMBLY.

## 1LC 240V HEATER ASSEMBLY

NOTE: THIS DRAWING AND THE INFORMATION CONTAINED THEREIN IS THE CONFIDENTIAL AND PROPRIETARY PROPERTY OF McElroy Manufacturing, Inc. THE DRAWING IS NOT TO BE REPRODUCED IN ANY MANNER, SUBMITTED TO OUTSIDE PARTIES FOR EXAMINATION, OR USED DIRECTLY OR INDIRECTLY FOR THE PURPOSES OTHER THAN THOSE FOR WHICH IT WAS FURNISHED WITHOUT WRITTEN PERMISSION OF McElroy Manufacturing, Inc.



### SECTION A-A

## McElroy Manufacturing Parts List

**Part Number:** CTS24301 1LC 240V Heater Assembly

**Part Number CTS24301 Component List**

Item	Component	Description	Quantity	Unit	Price
1	437304	Small Htr Handle/enclosure	1.0	EA	23.45
2	437401	Heat Sink Gasket	1.0	EA	0.00
3	8163210	Electrical Safety Test Label	1.0	EA	0.00
4	8163364	Model CTS24301 Part NO Label	1.0	EA	0.00
5	816382	Temperature Scale Label	1.0	EA	6.00
6	CTS20701	Enclosure	1.0	EA	452.00
7	CTS20901	Heater Body	1.0	EA	157.00
8	CTS25001	Heater Handle Wld	1.0	EA	0.00
9	T5030006	Heater Control Pcb Assy (Effective to 12/15/20)	1.0	EA	0.00
9	T5030009	Heater Control Pcb Assy	1.0	EA	0.00
10	T5030007	Potentiometer Assy	1.0	EA	18.49
11	T5077601	Rtd W/ Conn X 10"	1.0	EA	51.85
12	T5077904	Ground Wire W/#6 Term X 10"	1.0	EA	25.26
13	T5078017	240V 2X50W Crtg Htr Asyw/term	1.0	EA	0.00
14	T5078103	15A/250V Pwr Cord W/plug&conn	1.0	EA	66.84
15	MAE00008	#6-32NCX1/4LG Bhscs PL	1.0	EA	0.93
16	MAH00042	#8-32NCX1/2LG Shcs SS	1.0	EA	0.93
17	MAH00296	#6-32X1/4 Phil Pan Sealg Scr	1.0	EA	1.37
18	MAL00010	#6-19X3/4LG Torx T15 Pan Hdscr	4.0	EA	0.43
19	MAL00031	#6-19X1-1/2'LG Torx T15 Panscr	2.0	EA	0.17
20	MAL00034	#6-19X1/4LG Phil Pan Hdscr	2.0	EA	0.06
21	MAL00035	#6-19X3/8LG Phil Pan Hdscr	4.0	EA	0.08
22	MBA00067	3/8-32NEF X 0.22 X 1/4 Sealnut	1.0	EA	4.94
23	MCG00017	1/8DIA X3/4LG Roll Pin	2.0	EA	0.70
24	MDL00373	.040DIA Buna O-ring Cord Stock	1.9	FT	1.24
25	MDL00374	O-ring	1.0	EA	0.43
26	MJJ00023	Control Knob	1.0	EA	3.55
27	MJK00002	2.5LG,150-650DEG F Thermometer	1.0	EA	38.21
28	MLF00175	Mega-fit Rec Conn,	1.0	EA	0.72
29	MQI00111	Heatsink	1.0	EA	0.00

Please visit <https://fusion.mcelroy.com/parts> to purchase parts or for more information.