



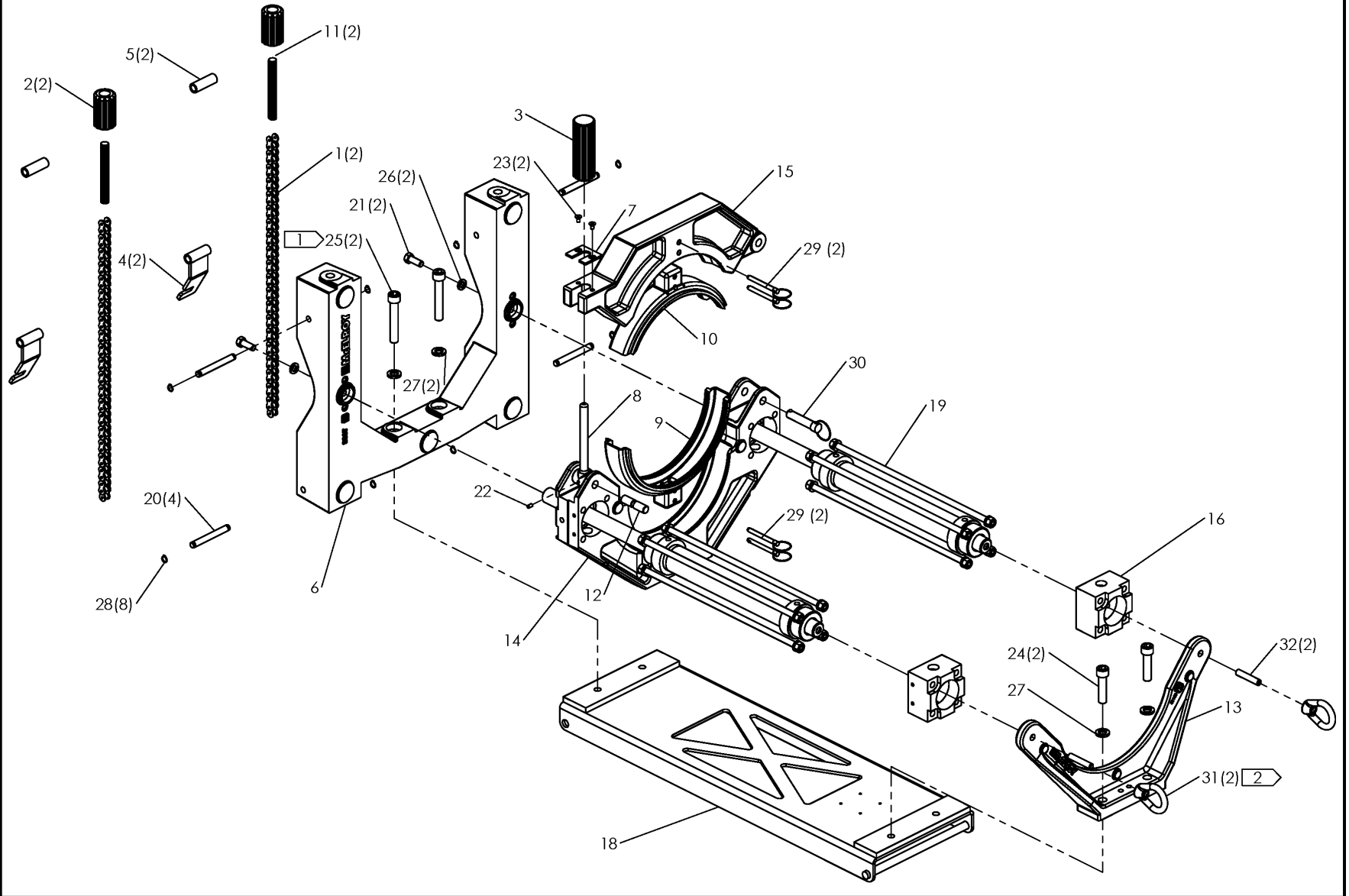
McElroy Manufacturing, Inc.  
The leader by design.  
Tulsa, Oklahoma U.S.A.

DRAWN: LBK    CHECK: DWP    APPRVD: JRP    DATE: 8/17/09    SHT No: 1    REV No: E    PART No: 898101

DynaMc 28 EP SIDEWALL CARRIAGE ASSEMBLY

NOTE: THIS DRAWING AND THE INFORMATION CONTAINED THEREIN IS THE CONFIDENTIAL AND PROPRIETARY PROPERTY OF McElroy Manufacturing, Inc. THE DRAWING IS NOT TO BE REPRODUCED IN ANY MANNER, SUBMITTED TO OUTSIDE PARTIES FOR EXAMINATION, OR USED DIRECTLY OR INDIRECTLY FOR THE PURPOSES OTHER THAN THOSE FOR WHICH IT WAS FURNISHED WITHOUT WRITTEN PERMISSION OF McElroy Manufacturing, Inc.

NOTES:  
1. INSTALL WITH ANTI-SEIZE COMPOUND.  
2. INSTALL WITH HIGH STRENGTH THREAD LOCKER.



## McElroy Manufacturing Parts List

**Part Number:** 898101 DynaMc 28 Electric Pump Sidewall Carriage Assembly

**Part Number 898101 Component List**

Item	Component	Description	Quantity	Unit	Price
1	A213601	Sidewinder/2/14/28 Tailstock Chain Assembly	2.0	EA	33.38
2	A829001	Short Clamp Knob Assembly	2.0	EA	82.14
3	A829101	Long Clamp Knob Assembly	1.0	EA	82.14
4	401701	Chain Hook	2.0	EA	42.48
5	402101	Chain Guide	2.0	EA	30.32
6	800710	Sidewall Clamp	1.0	EA	872.00
7	801701	Clamp Pad	1.0	EA	18.76
8	803901	Clamp Eyebolt	1.0	EA	74.08
9	807201	8IPS/DIPS Master Lower Insert	1.0	EA	174.00
10	807202	8IPS/DIPS Master Upper Insert	1.0	EA	174.00
11	808001	Adjustment Screw	2.0	EA	51.36
12	808501	Clamp Pivot Pin	1.0	EA	15.47
13	811803	Guide Rod Support Plate	1.0	EA	298.00
14	848513	Dynamc Dips Lwr Movable Jaw	1.0	EA	858.00
15	848602	Dips Upper Jaw	1.0	EA	384.00
16	882401	Dynamc Cyl End Block	2.0	EA	255.00
17	898201	DynaMc 28 EP Sidewall Carriage Plumbing Schematic	1.0	EA	691.00
18	898301	Dynamc 28 EP Sdwl Crg Skid Wld	1.0	EA	0.00
19	898401	DynaMc 28 Electric Pump LF Cylinder Assembly Set	1.0	ST	0.00
20	CTS03601	Pivot Pin	4.0	EA	13.12
21	MAB00077	3/8-16NCX1LG Hhcs GR8	2.0	EA	0.63
22	MAG00002	#10-24NCX3/8LG Skt Set Scr	1.0	EA	1.22
23	MAN00001	#10-24NCX3/8 LG Fhscs SS	2.0	EA	0.39
24	MAN00002	1/2-13NCX1-1/2 LG Shcs SS (Effective to 2/10/10)	2.0	EA	3.32
24	MAN00058	1/2-13NC X 2 LG Shcs SS	2.0	EA	2.59
25	MAN00003	1/2-13NCX3LG Shcs SS	2.0	EA	5.79
26	MBE00007	3/8 Reg Splt Lck Wshr Stl PL	2.0	EA	0.12
27	MBE00009	1/2 Reg Splt Lck Washer Stl PL	4.0	EA	0.15
28	MCB00049	Ext Snap Ring SS	8.0	EA	2.31
29	MCE00002	1/4DIAx2.00 Grip Detent Pin	4.0	EA	7.61
30	MCE00006	1/2DIAx2.00 Grip Detent Pin	1.0	EA	9.85
31	MJB00015	3/8-16NC Eye Nut (Effective to 2/10/10)	2.0	EA	0.00
31	893501	3/8-16NC Painted Eye Nut	2.0	EA	32.00
32	MNL00050	Stud	2.0	EA	4.15
32	MNL00051	Clamping Stud (Effective 12/17/13 to 10/6/15)	2.0	EA	0.00

Please visit <https://fusion.mcelroy.com/parts> to purchase parts or for more information.