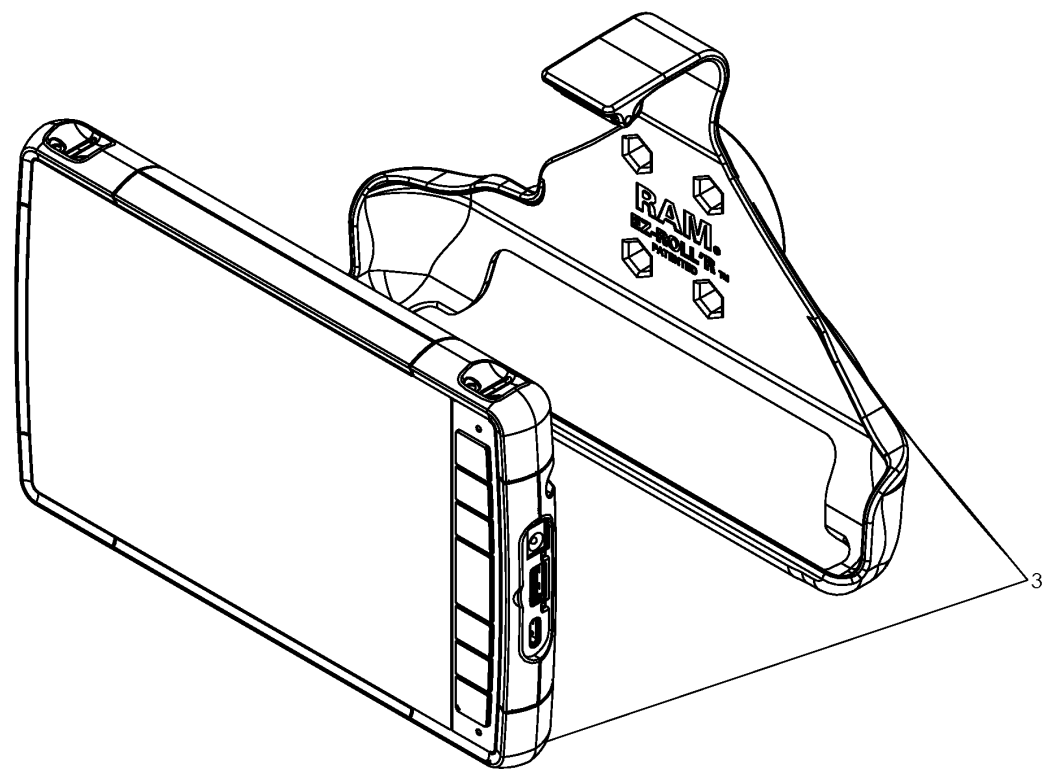


iSeries TABLET

NOTE: THIS DRAWING AND THE INFORMATION CONTAINED THEREIN IS THE CONFIDENTIAL AND PROPRIETARY PROPERTY OF McElroy Manufacturing, Inc. THE DRAWING IS NOT TO BE REPRODUCED IN ANY MANNER, SUBMITTED TO OUTSIDE PARTIES FOR EXAMINATION, OR USED DIRECTLY OR INDIRECTLY FOR THE PURPOSES OTHER THAN THOSE FOR WHICH IT WAS FURNISHED WITHOUT WRITTEN PERMISSION OF McElroy Manufacturing, Inc.

NOTES:

1. INSTALL MICRO SD CARD IN TABLET
2. FORMAT MICRO SD CARD AND INSTALL Datalogger® SOFTWARE PER



McElroy Manufacturing Parts List

Part Number: DLP0857710 i Series Tablet

Part Number DLP0857710 Component List

Item	Component	Description	Quantity	Unit	Price
1	DLP0857706	I Series/dl Software	1.0	EA	0.00
2	MQE00215	Micro SD Card	1.0	EA	21.11
3	MQEP0853425	I Series Mesa 3 Tablet	1.0	EA	0.00

Please visit <https://fusion.mcelroy.com/parts> to purchase parts or for more information.

