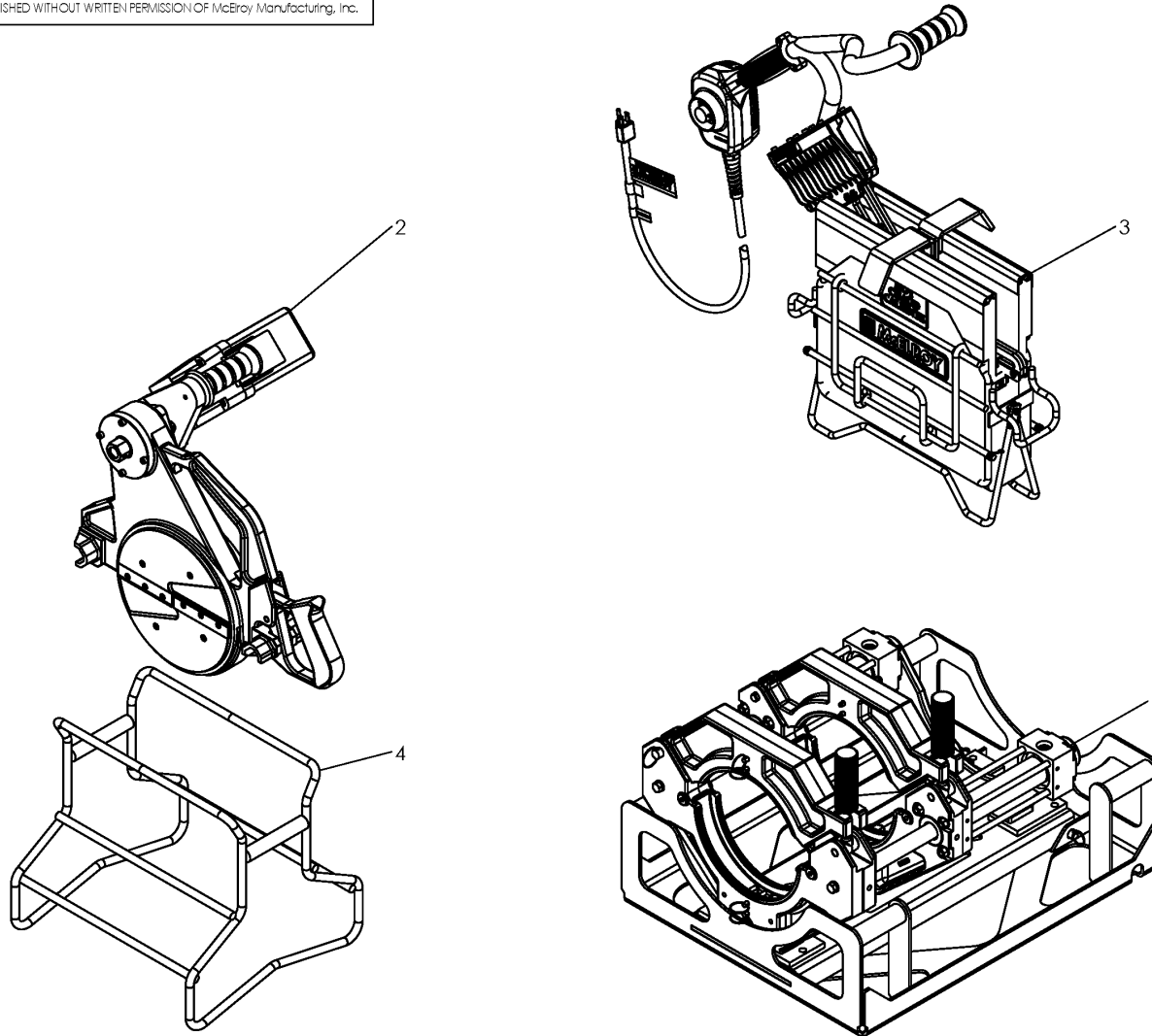




DRAWN:	FAW	CHECK:	TKD	APPRVD:	BLM	DATE:	4/20/10	SHT No:	1 of 3	REV No:	A	PART No:	A900200
--------	-----	--------	-----	---------	-----	-------	---------	---------	--------	---------	---	----------	---------

DynaMc® 28 EP 2 JAW FUSION MACHINE PACKAGE

NOTE: THIS DRAWING AND THE INFORMATION CONTAINED THEREIN IS THE CONFIDENTIAL AND PROPRIETARY PROPERTY OF McElroy Manufacturing, Inc. THE DRAWING IS NOT TO BE REPRODUCED IN ANY MANNER, SUBMITTED TO OUTSIDE PARTIES FOR EXAMINATION, OR USED DIRECTLY OR INDIRECTLY FOR THE PURPOSES OTHER THAN THOSE FOR WHICH IT WAS FURNISHED WITHOUT WRITTEN PERMISSION OF McElroy Manufacturing, Inc.



McElroy Manufacturing Parts List

Part Number: A900201 DynaMc 28 Electric Pump 2 Jaw 100-120V, 50/60Hz Fusion Machine Package

Part Number A900201 Component List

Item	Component	Description	Quantity	Unit	Price
1	900201	DynaMc 28 Electric Pump 2 Jaw Carriage Assembly	1.0	EA	10,779.00
2	899301	DynaMc 28 Hand Pump 100-120V, 50/60Hz, 1Ph Facer Assembly	1.0	EA	6,401.00
3	848709	Obsolete & Replaced by 901601 (Effective to 2/9/20)	1.0	EA	0.00
3	901601	28 DIPS 100-120V,50/60Hz Heater Assembly	1.0	EA	4,078.00
4	T801101	Facer Stand	1.0	EA	448.00

Please visit <https://fusion.mcelroy.com/parts> to purchase parts or for more information.

