

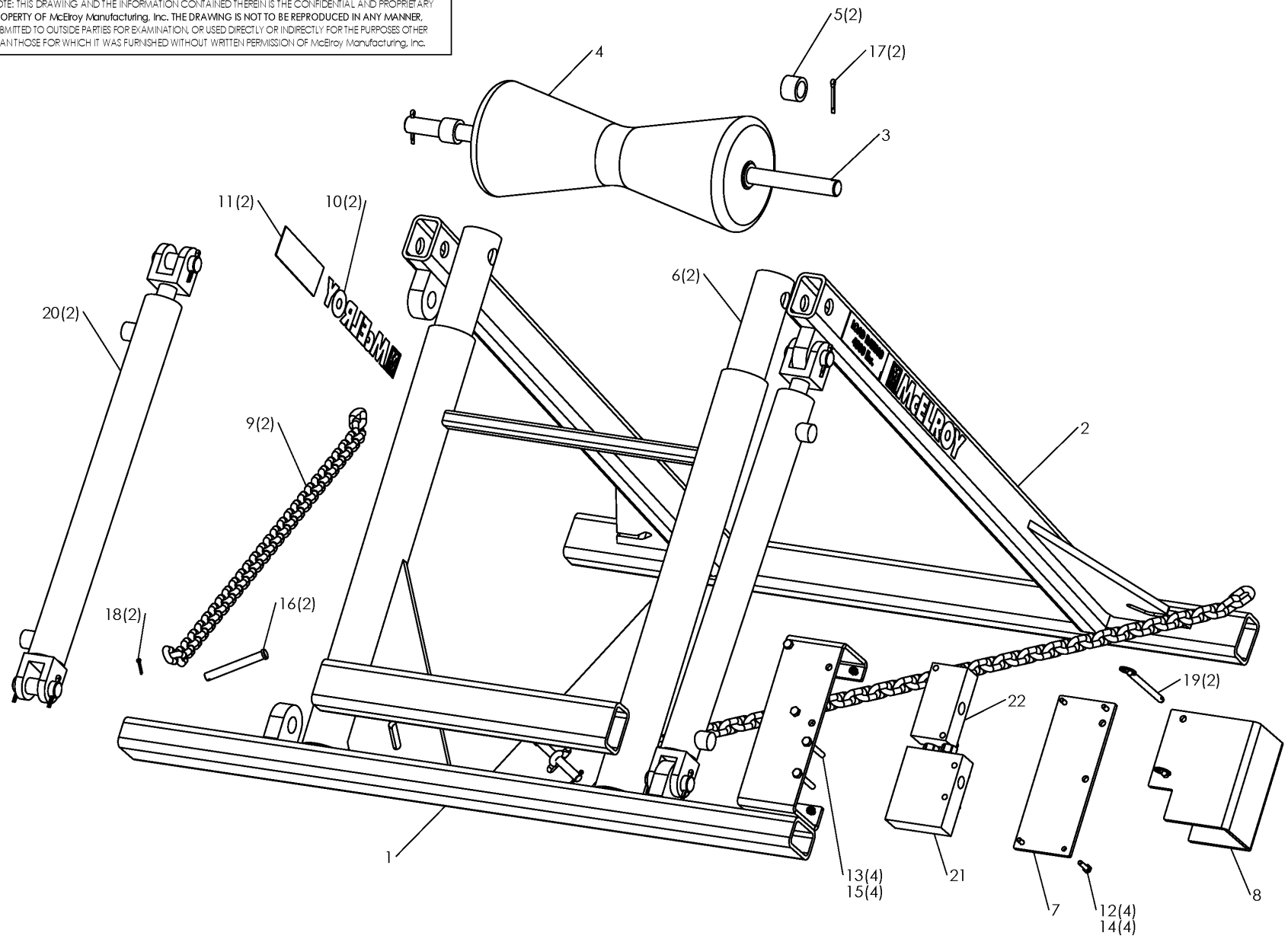


McElroy Manufacturing, Inc.  
The leader by design.  
Tulsa, Oklahoma U.S.A.

DRAWN: CRN	CHECK: BWJ	APPRVD: JAL	DATE: 1/4/16	SHT No: 1A	REV No:	PART No: T9055701
------------	------------	-------------	--------------	------------	---------	-------------------

24/630/36/900 HYDRAULIC PIPE STAND ASSEMBLY

NOTE: THIS DRAWING AND THE INFORMATION CONTAINED THEREIN IS THE CONFIDENTIAL AND PROPRIETARY PROPERTY OF McElroy Manufacturing, Inc. THE DRAWING IS NOT TO BE REPRODUCED IN ANY MANNER, SUBMITTED TO OUTSIDE PARTIES FOR EXAMINATION, OR USED DIRECTLY OR INDIRECTLY FOR THE PURPOSES OTHER THAN THOSE FOR WHICH IT WAS FURNISHED WITHOUT WRITTEN PERMISSION OF McElroy Manufacturing, Inc.





McElroy Manufacturing, Inc.

The leader by design.

Tulsa, Oklahoma U.S.A.

DRAWN: CRN

CHECK: BWJ

APPRVD: JAL

DATE: 1/4/16

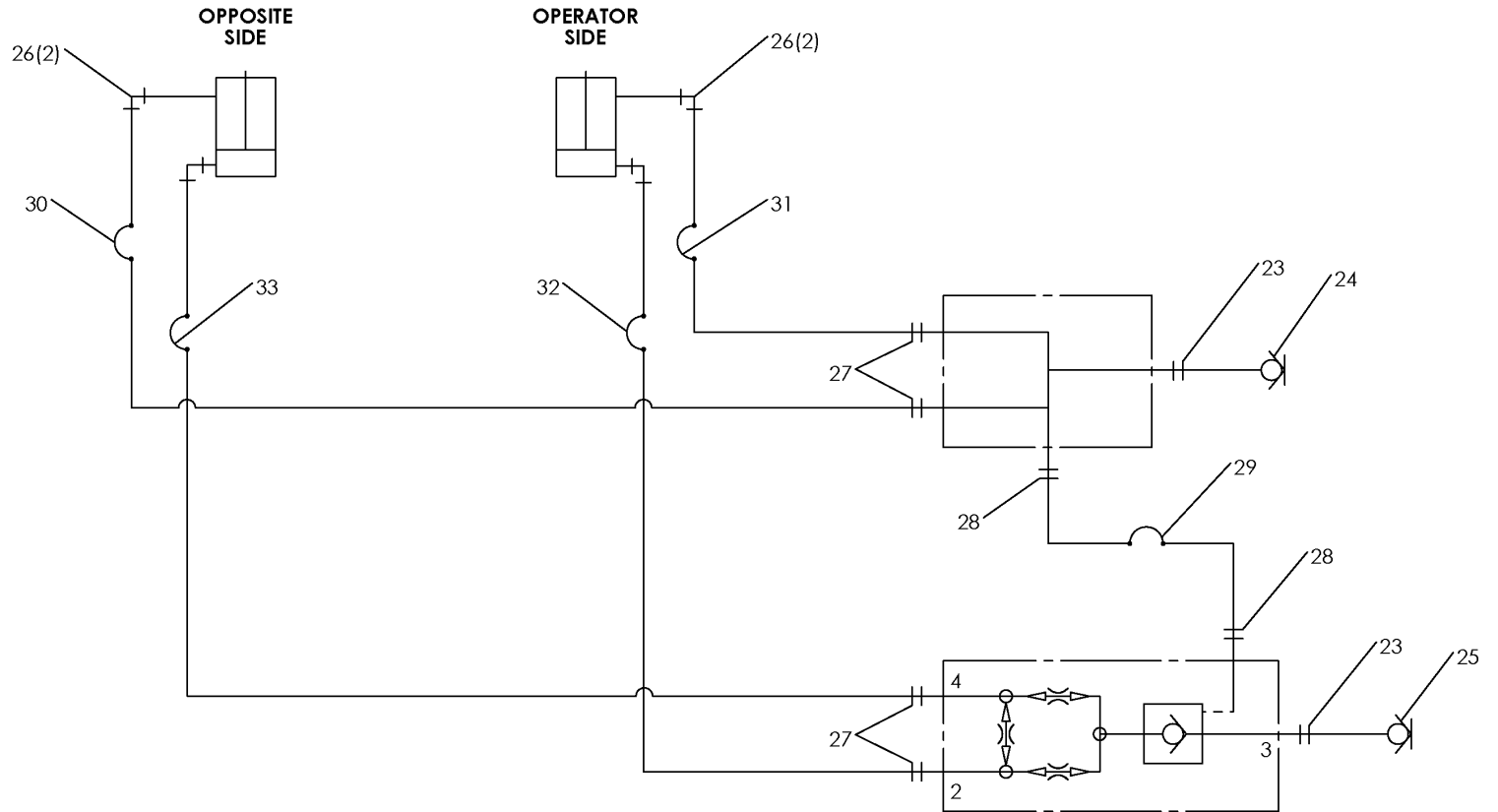
SHT No: 1B

REV No:

PART No: T9055701

24/630/36/900 HYDRAULIC PIPE STAND ASSEMBLY

NOTE: THIS DRAWING AND THE INFORMATION CONTAINED THEREIN IS THE CONFIDENTIAL AND PROPRIETARY PROPERTY OF McElroy Manufacturing, Inc. THE DRAWING IS NOT TO BE REPRODUCED IN ANY MANNER, SUBMITTED TO OUTSIDE PARTIES FOR EXAMINATION, OR USED DIRECTLY OR INDIRECTLY FOR THE PURPOSES OTHER THAN THOSE FOR WHICH IT WAS FURNISHED WITHOUT WRITTEN PERMISSION OF McElroy Manufacturing, Inc.



## McElroy Manufacturing Parts List

**Part Number:** T9055701 24/630/36/900 Hydraulic Pipe Stand Assembly

**Part Number T9055701 Component List**

Item	Component	Description	Quantity	Unit	Price
1	T9056201	Hyd Pipe Stand Inner Leg Wld	1.0	EA	0.00
2	T9056301	Hyd Pipe Stand Outer Leg Wld	1.0	EA	0.00
3	T9056401	Pipe Stand Roller Shaft	1.0	EA	77.07
4	T9056501	Pipe Stand Roller W/bushings	1.0	EA	1,067.00
5	T9056701	Hys Pipe Stand Shaft Spacer	2.0	EA	0.00
6	T9056801	Hyd Pipe Stand Telescoping Leg	2.0	EA	0.00
7	T9056901	Flow Divider Mntg Plate	1.0	EA	0.00
8	T9057001	Quick Disconnect Guard	1.0	EA	0.00
9	T9057101	6 FT Chain Mod	2.0	EA	0.00
10	8163119	Medium McElroy Branding Label	2.0	EA	9.51
11	8163299	4500 LB Load Rating Label	2.0	EA	24.00
12	MAB00004	1/4-20NCX1LG Hhcs	4.0	EA	0.28
13	MAB00038	5/16-18NCX2-1/4LG Hhcs	4.0	EA	0.53
14	MBC00005	1/4-20NC Fnsh Hex Nyl Lck Nut	4.0	EA	0.70
15	MBC00006	5/16-18NC Fnsh Hex Nyl Lck Nut	4.0	EA	0.53
16	MCF00062	1/2DIA X3-3/4 Grip Clevis Pin	2.0	EA	9.90
17	MCH00003	3/16DIA X1-1/2LG Cotter Pin	2.0	EA	0.11
18	MCH00020	1/8DIA X3/4LG Cotter Pin	2.0	EA	0.11
19	MCK00111	3/8 Dia X 4" Grip Hitch Pin	2.0	EA	0.00
20	MEB00213	2BX20SX1-1/8R Hyd Cyl W/pins	2.0	EA	0.00
21	MEL00048	3WAY Mfld W/flw Dvdr&po CH Vlv	1.0	EA	0.00
22	MEL00049	3 Way Manifold W/po Port	1.0	EA	0.00
23	MFC00201	8MSAE/8MSAE Adapter	2.0	EA	0.00
24	MFH00115	1/2FSAE Thrd Togthr QD Coupler	1.0	EA	0.00
25	MFH00116	1/2FSAE Thrd Togthr QD Nipple	1.0	EA	0.00
26	MFQ00012	8MSL/8MSAE Elbow	4.0	EA	24.45
27	MFQ00036	8MSL/8MSAE Adapter	4.0	EA	17.24
28	MFQ00040	4MSL/4MSAE Elbow	2.0	EA	13.94
29	SLABBBB017	Hose Assy Oal 17"	1.0	EA	0.00
30	SLBBECE055	Hose Assy Oal 55"	1.0	EA	0.00
31	SLBBEDE015	Hose Assy Oal 15"	1.0	EA	0.00
32	SLBBEDE017	Hose Assy Oal 17"	1.0	EA	0.00
33	SLBBEDE036	Hose Assy Oal 36"	1.0	EA	0.00

Please visit <https://fusion.mcelroy.com/parts> to purchase parts or for more information.