



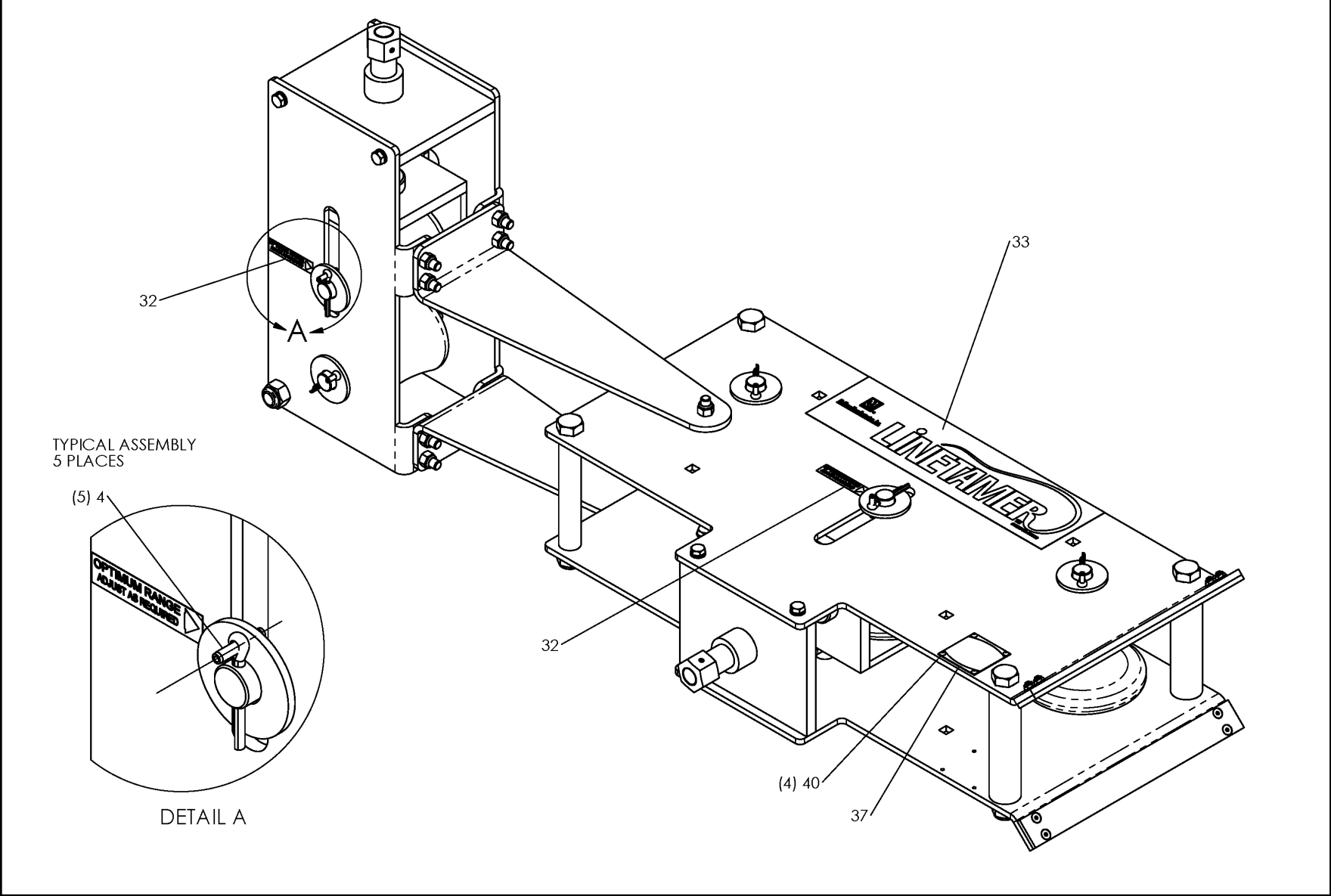
McElroy Manufacturing, Inc.
The leader by design.
Tulsa, Oklahoma U.S.A.

DRAWN: AH CHECK: RRM APPR'VD: JRP DATE: 10/01/98 SHT No: 1A REV No: K PART No: LT0122

2' IPS LineTamer ASSEMBLY

NOTE: THIS DRAWING AND THE INFORMATION CONTAINED THEREIN IS THE CONFIDENTIAL AND PROPRIETARY PROPERTY OF McElroy Manufacturing, Inc. THE DRAWING IS NOT TO BE REPRODUCED IN ANY MANNER, SUBMITTED TO OUTSIDE PARTIES FOR EXAMINATION, OR USED DIRECTLY OR INDIRECTLY FOR THE PURPOSES OTHER THAN THOSE FOR WHICH IT WAS FURNISHED WITHOUT WRITTEN PERMISSION OF McElroy Manufacturing, Inc.

NOTES:
1. USE MEDIUM STRENGTH THREAD LOCKER.





McElroy Manufacturing, Inc.

The leader by design.

Tulsa, Oklahoma U.S.A.

DRAWN: AH

CHECK: RRM

APPRVD: JRP

DATE: 10/01/98

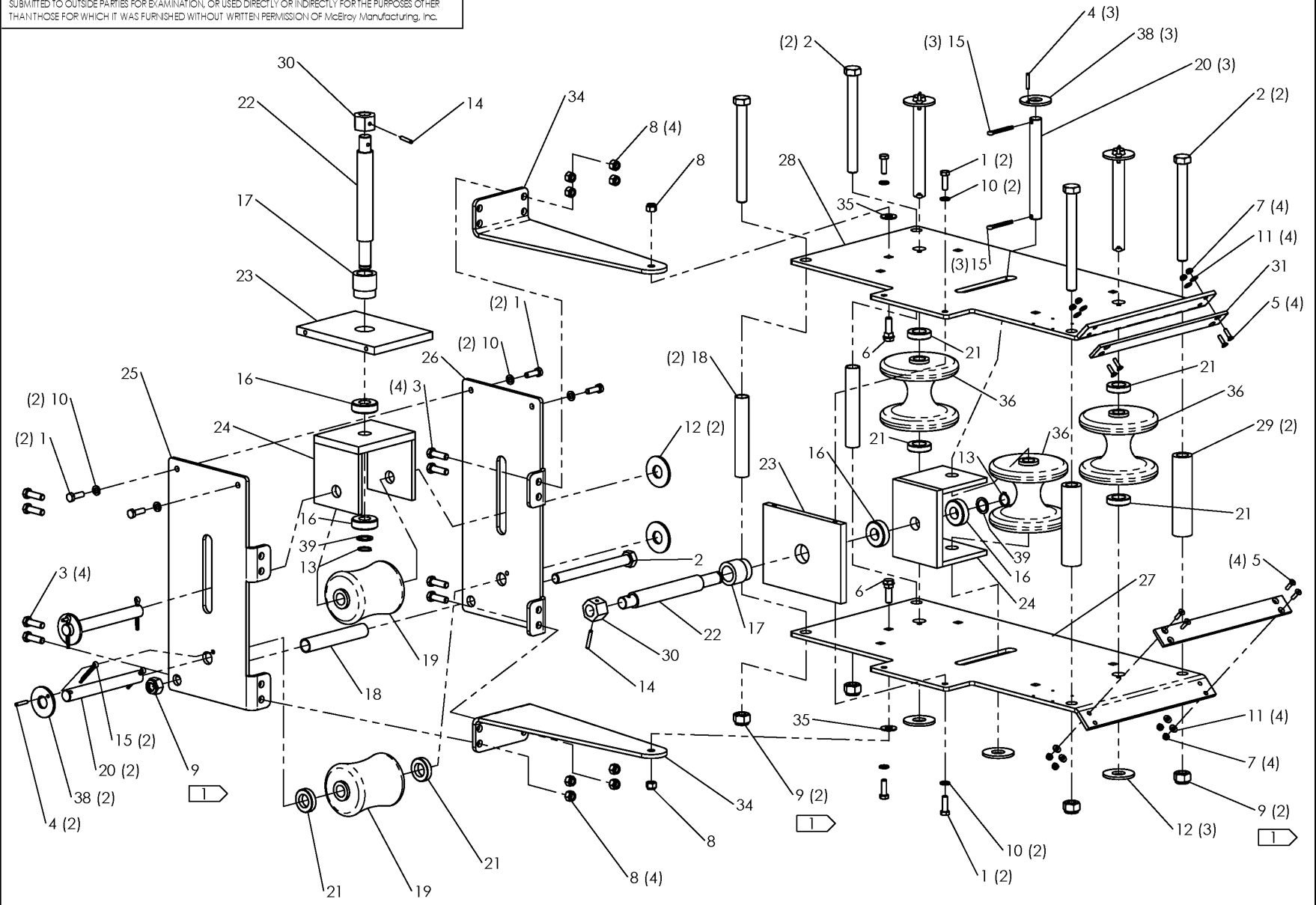
SHT No: 1B

REV No: K

PART No: LT0122

2" IPS LineTamer ASSEMBLY

NOTE: THIS DRAWING AND THE INFORMATION CONTAINED THEREIN IS THE CONFIDENTIAL AND PROPRIETARY PROPERTY OF McElroy Manufacturing, Inc. THE DRAWING IS NOT TO BE REPRODUCED IN ANY MANNER, SUBMITTED TO OUTSIDE PARTIES FOR EXAMINATION, OR USED DIRECTLY OR INDIRECTLY FOR THE PURPOSES OTHER THAN THOSE FOR WHICH IT WAS FURNISHED WITHOUT WRITTEN PERMISSION OF McElroy Manufacturing, Inc.





McElroy Manufacturing, Inc.

The leader by design.

Tulsa, Oklahoma U.S.A.

DRAWN: AH

CHECK: RRM

APPRVD: JRP

DATE: 10/01/98

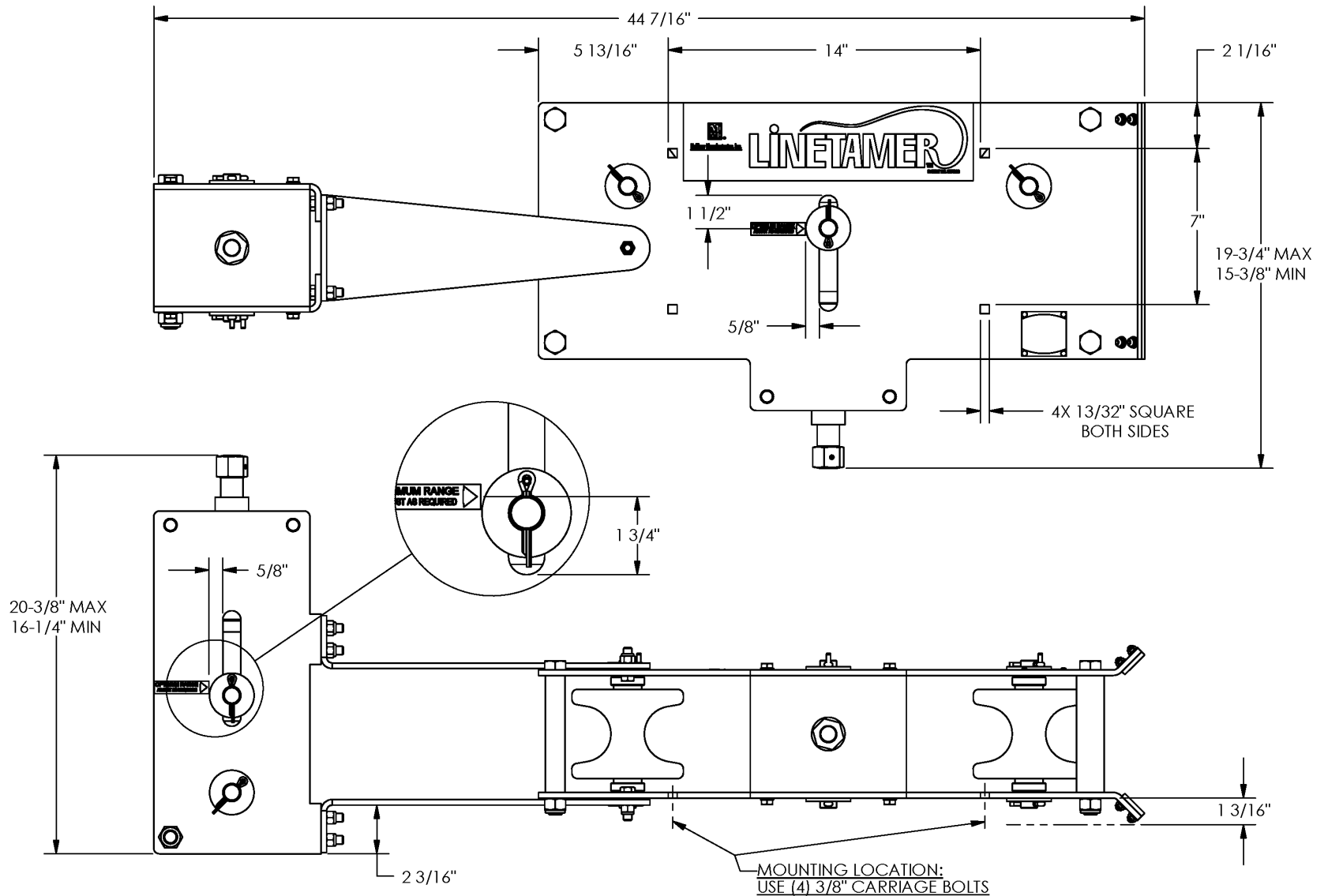
SHT No: 1C

REV No: K

PART No: LT0122

2" IPS LineTamer ASSEMBLY

NOTE: THIS DRAWING AND THE INFORMATION CONTAINED THEREIN IS THE CONFIDENTIAL AND PROPRIETARY PROPERTY OF McElroy Manufacturing, Inc. THE DRAWING IS NOT TO BE REPRODUCED IN ANY MANNER, SUBMITTED TO OUTSIDE PARTIES FOR EXAMINATION, OR USED DIRECTLY OR INDIRECTLY FOR THE PURPOSES OTHER THAN THOSE FOR WHICH IT WAS FURNISHED WITHOUT WRITTEN PERMISSION OF McElroy Manufacturing, Inc.



McElroy Manufacturing Parts List

Part Number: LT0122 2" IPS LineTamer Assembly-Trailer not Included

Part Number LT0122 Component List

Item	Component	Description	Quantity	Unit	Price
1	MAB00033	5/16-18NCX1LG Hhcs	8.0	EA	0.40
2	MAB00122	5/8-11NCX6-1/2LG Hhcs	5.0	EA	4.89
3	MAB00065	3/8-16NCX1-1/4LG Hhcs	8.0	EA	0.45
4	MCG00005	3/16 DIAX1LG Roll Pin	5.0	EA	0.12
5	MAH00105	#10-24NCX3/4LG Fhscs SS	8.0	EA	0.69
6	MAI00005	3/8-16NC X 1-1/4 LG Crg Bolt	2.0	EA	0.75
7	MBC00004	#10-24NC Mach Scr Nyl Lck Nut	8.0	EA	0.30
8	MBC00007	3/8-16NC Fnsh Hex Nyl Lck Nut	10.0	EA	0.71
9	MBC00011	5/8-11NC Fnsh Hex Nyl Lck Nut	5.0	EA	0.99
10	MBE00006	5/16 Reg Splt Lck Wshr Stil PL	8.0	EA	0.11
11	MBF00004	#10 TY 'a' Wide FL Wshr Stil PL	8.0	EA	0.10
12	MBF00012	3/4 TY 'a' Wide FL Wshr Stil PL	5.0	EA	0.89
13	MCB00003	Ext Snap Ring	2.0	EA	0.38
14	MCG00006	3/16DIAX1-1/4LG Roll Pin	2.0	EA	0.28
15	MCH00003	3/16DIAX1-1/2LG Cotter Pin	10.0	EA	0.12
16	MDM00023	Thrust Bearing	4.0	EA	14.99
17	MJM00029	1"-5 Acme Threaded Insert	2.0	EA	200.00
18	LT0111	Main Plate Spacer	3.0	EA	26.54
19	LT011201	2"IPS Reround Roller Assy	2.0	EA	506.00
20	LT0115	Roller Shaft	5.0	EA	61.65
21	LT0117	Roller Shaft Spacer	6.0	EA	82.83
22	LT0118	Roller Adjustment Shaft	2.0	EA	242.00
23	LT0119	Thread Support Plate	2.0	EA	421.00
24	LT0123	Rrndr Comp. Frame Wld	2.0	EA	0.00
25	LT0124	Front Rerounder Frame	1.0	EA	221.00
26	LT0125	Back Rerounder Frame	1.0	EA	242.00
27	LT0126	Lower Main Flange Plate	1.0	EA	315.00
28	LT0127	Upper Main Flange Plate	1.0	EA	315.00
29	LT0136	Main Plate Spacer	2.0	EA	51.52
30	LT0137	Hex Drive	2.0	EA	58.16
31	LT0138	Wear Strip	2.0	EA	68.57
32	LT0140	2IPS Linetamer Position Label	2.0	EA	21.15
33	LT0141	Linetamer Logo Label	1.0	EA	65.73
34	LT0142	Rerounder Pivot Bracket	2.0	EA	158.00
35	MBG00066	Plastic Washer (nylon)	2.0	EA	1.93
36	LT0144	2IPS Straightening Roller Assy	3.0	EA	389.00
37	PL1-LT0122	Nameplate	1.0	EA	19.84
38	LT0160	3/4 Washer Mod	5.0	EA	11.35
39	MBG00058	Precision Support Washer	2.0	EA	9.67
40	MAH00006	#6X1/4LG Drv Scr	4.0	EA	0.30

Please visit <https://fusion.mcelroy.com/parts> to purchase parts or for more information.