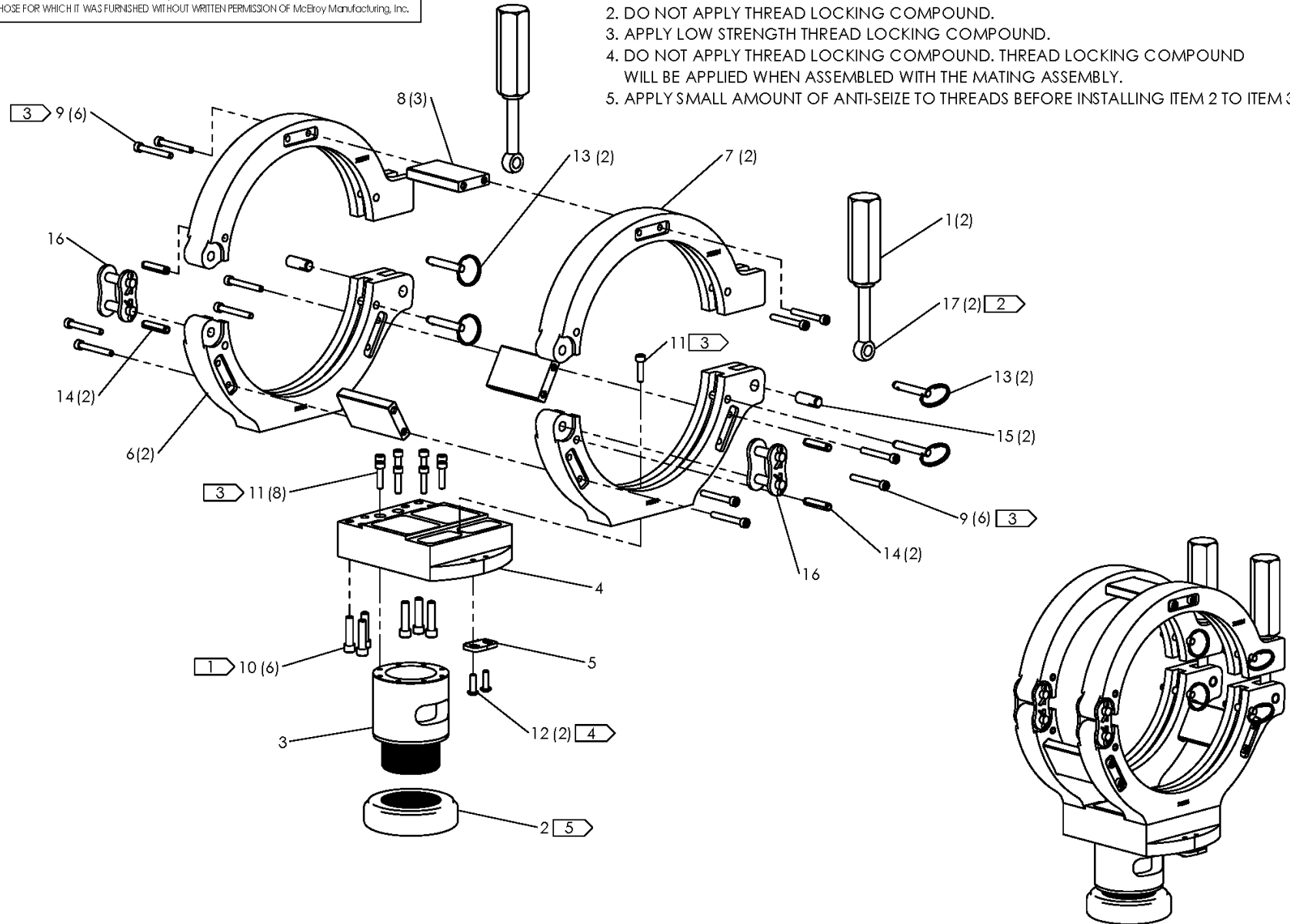


## 180mm FIXED JAW ASSEMBLY

NOTE: THIS DRAWING AND THE INFORMATION CONTAINED THEREIN IS THE CONFIDENTIAL AND PROPRIETARY PROPERTY OF McElroy Manufacturing, Inc. THE DRAWING IS NOT TO BE REPRODUCED IN ANY MANNER, SUBMITTED TO OUTSIDE PARTIES FOR EXAMINATION, OR USED DIRECTLY OR INDIRECTLY FOR THE PURPOSES OTHER THAN THOSE FOR WHICH IT WAS FURNISHED WITHOUT WRITTEN PERMISSION OF McElroy Manufacturing, Inc.

### NOTES:

1. APPLY MEDIUM STRENGTH THREAD LOCKING COMPOUND.
2. DO NOT APPLY THREAD LOCKING COMPOUND.
3. APPLY LOW STRENGTH THREAD LOCKING COMPOUND.
4. DO NOT APPLY THREAD LOCKING COMPOUND. THREAD LOCKING COMPOUND WILL BE APPLIED WHEN ASSEMBLED WITH THE MATING ASSEMBLY.
5. APPLY SMALL AMOUNT OF ANTI-SEIZE TO THREADS BEFORE INSTALLING ITEM 2 TO ITEM 3.



### McElroy Manufacturing Parts List

Part Number: 07P1029316 180m Fixed Jaw Assembly

**Part Number 07P1029316 Component List**

Item	Component	Description	Quantity	Unit	Price
1	A211501	Short Clamp Knob Assembly	2.0	EA	89.51
2	07P0958136	Jaw Retaining Nut	1.0	EA	0.00
3	07P0974822	Moveable Jaw Post	1.0	EA	0.00
4	07P1031815	Fixed Jaw Pivot Upper	1.0	EA	0.00
5	07P1039472	Adjustable Miter Stop Gear	1.0	EA	0.00
6	732304	180MM Lower Jaw	2.0	EA	0.00
7	732504	180MM Upper Jaw	2.0	EA	0.00
8	737801	Spacer Plate	3.0	EA	137.00
9	MAC00042	#10-24NCX1-1/2LG Shcs PL	12.0	EA	0.00
10	MAC00055	1/4-20NCX1LG Shcs PL	6.0	EA	0.25
11	MAC00465	#10-24NCX3/4LG Shcs PL	9.0	EA	0.00
12	MAE00137	#10-24NCX5/8LG Bhscs Stl PL	2.0	EA	0.34
13	MCE00052	1/4DIA X 1.1 GL Detent Pin	4.0	EA	9.91
14	MCG00009	1/4DIA X 1-1/8LG Roll Pin	4.0	EA	0.73
15	MCK00015	3/8DIA X 1LG Lock Pin Stl PL	2.0	EA	3.76
16	MDG00054	#80 HD Master Link	2.0	EA	12.64
17	MJB00021	3/8-16X3-3/4LG Eye Bolt	2.0	EA	26.37

Please visit <https://fusion.mcelroy.com/parts> to purchase parts or for more information.

