



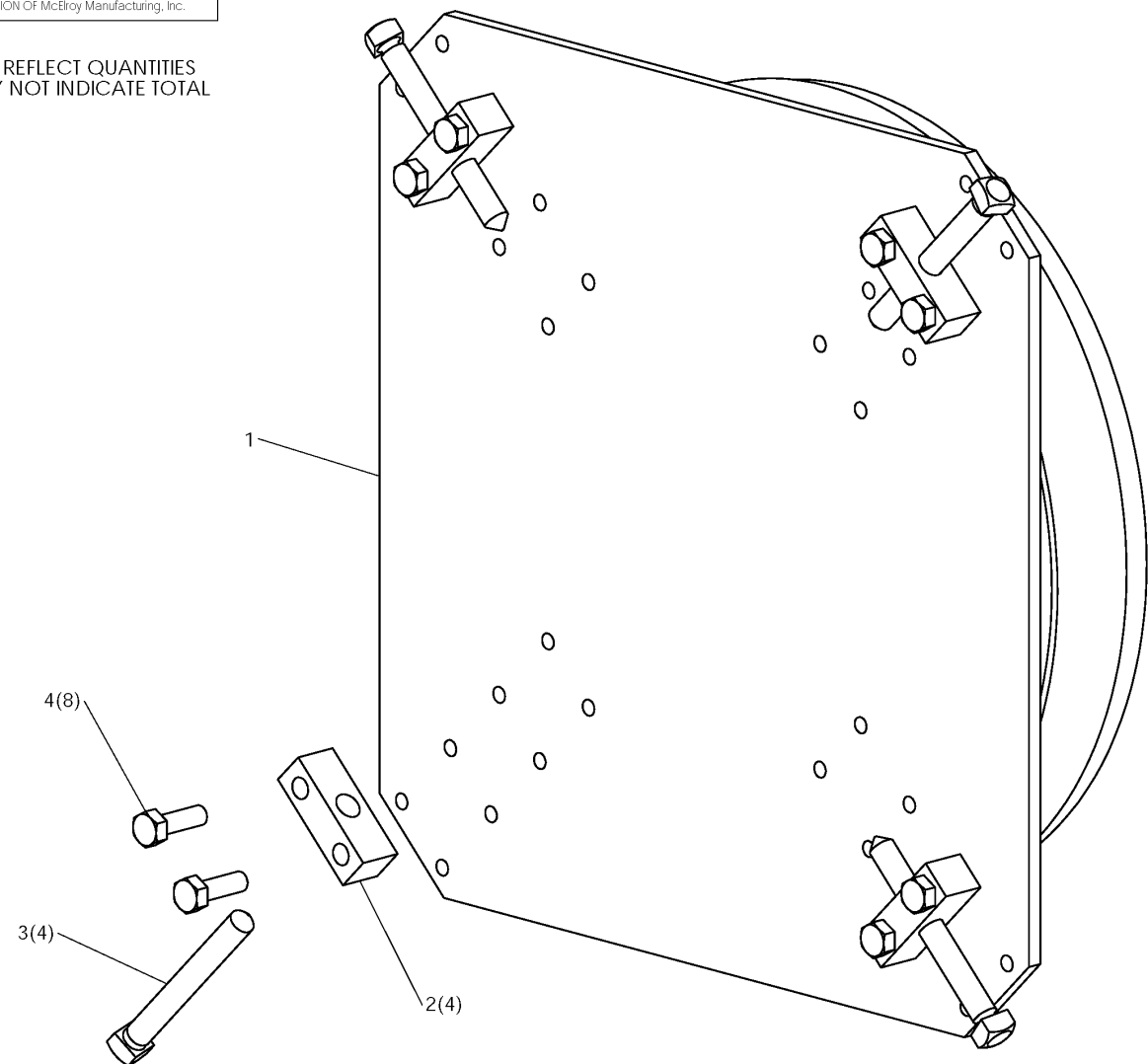
McElroy Manufacturing, Inc.  
The leader by design.  
Tulsa, Oklahoma U.S.A.

DRAWN: RLE    CHECK: BWP    APPRV'D: TLW    DATE: 10/30/00    SHT No: 1    REV No: M    PART No: 1214601

# 412 STUB END HOLDER ASSEMBLY

NOTE: THIS DRAWING AND THE INFORMATION CONTAINED THEREIN IS THE CONFIDENTIAL AND PROPRIETARY PROPERTY OF McElroy Manufacturing, Inc. THE DRAWING IS NOT TO BE REPRODUCED IN ANY MANNER, SUBMITTED TO OUTSIDE PARTIES FOR EXAMINATION, OR USED DIRECTLY OR INDIRECTLY FOR THE PURPOSES OTHER THAN THOSE FOR WHICH IT WAS FURNISHED WITHOUT WRITTEN PERMISSION OF McElroy Manufacturing, Inc.

NOTES:  
1. ITEMS SHOWN IN PARENTHESIS REFLECT QUANTITIES IN A LOCAL GROUP AND MAY NOT INDICATE TOTAL ASSEMBLY QUANTITIES.



### McElroy Manufacturing Parts List

**Part Number:** 1214601 Obsolete & Replaced by 1270101 (412 Stub End Holder Assembly)

**Part Number 1214601 Component List**

Item	Component	Description	Quantity	Unit	Price
1	1214603	Stub End Holder	1.0	EA	0.00
2	805401	Stub End Holder Clamp Block	4.0	EA	0.00
3	805703	Stub End Holder Adj Screw	4.0	EA	40.85
4	MAB00033	5/16-18NCX1LG Hhcs	8.0	EA	0.42

Please visit <https://fusion.mcelroy.com/parts> to purchase parts or for more information.

