



McElroy Manufacturing, Inc.
The leader by design.
Tulsa, Oklahoma U.S.A.

DRAWN: TLW

CHECK: BWP

APPRVD: B

DATE: 11/23/98

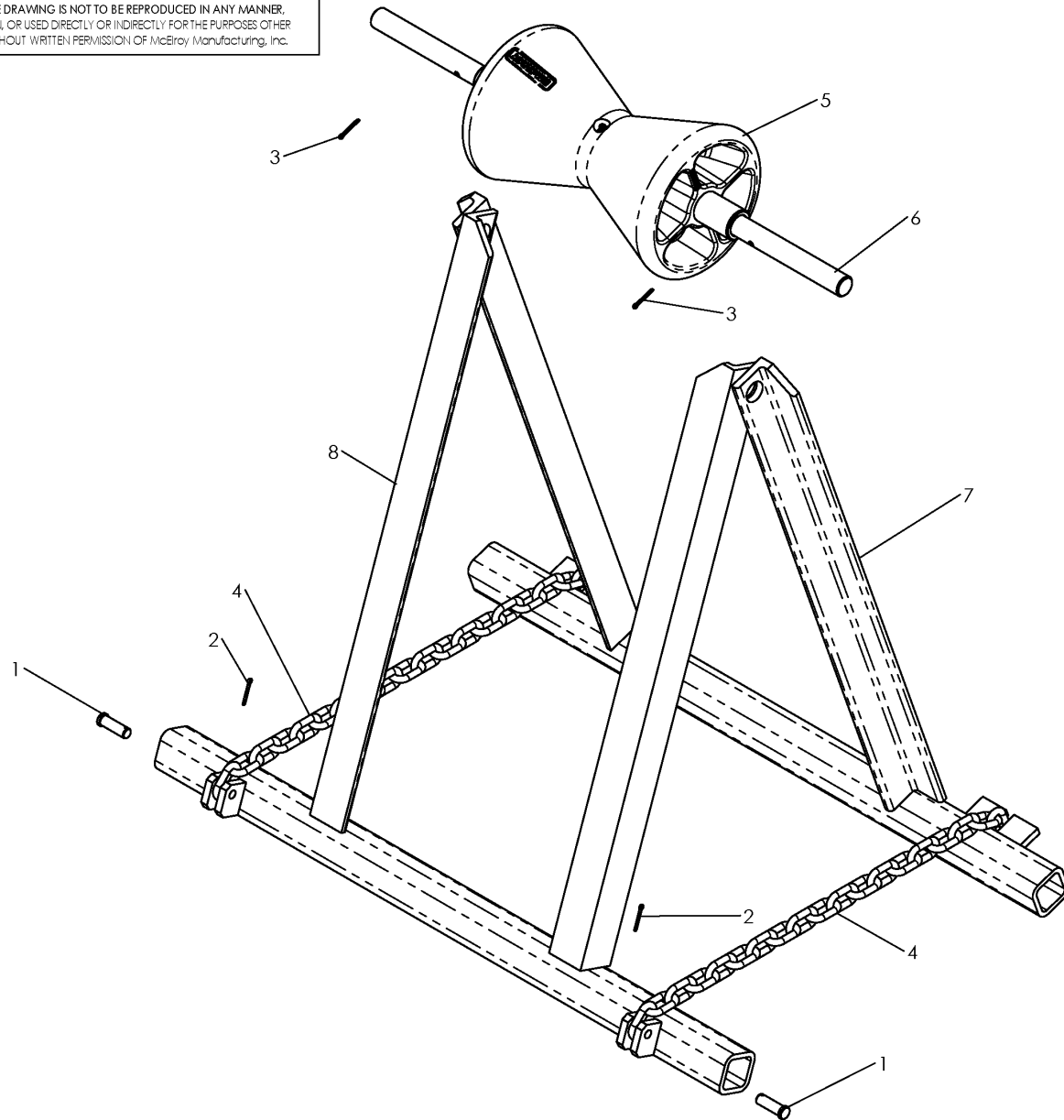
SHT No: 1

REV No: J

PART No: 1223201

#412/#618 PIPE STAND ASSEMBLY

NOTE: THIS DRAWING AND THE INFORMATION CONTAINED THEREIN IS THE CONFIDENTIAL AND PROPRIETARY PROPERTY OF McElroy Manufacturing, Inc. THE DRAWING IS NOT TO BE REPRODUCED IN ANY MANNER, SUBMITTED TO OUTSIDE PARTIES FOR EXAMINATION, OR USED DIRECTLY OR INDIRECTLY FOR THE PURPOSES OTHER THAN THOSE FOR WHICH IT WAS FURNISHED WITHOUT WRITTEN PERMISSION OF McElroy Manufacturing, Inc.



McElroy Manufacturing Parts List

Part Number: 1223201 412/618 Pipe Stand Assembly

Part Number 1223201 Component List

Item	Component	Description	Quantity	Unit	Price
1	MCF00018	3/8DIAX1-25/64 Grip Clv Pin PL	2.0	EA	2.27
2	MCH00001	1/8DIAX1LG Cotter Pin	2.0	EA	0.12
3	MCH00003	3/16DIAX1-1/2LG Cotter Pin	2.0	EA	0.15
4	MDG00019	5/16 Size Chain	10.0	FT	0.00
5	1223301	Pipe Stand Roller Assy	1.0	EA	713.00
6	1223401	Pipe Stand Roller Shaft	1.0	EA	113.00
7	1223202	Outer Pipe Stand Wld	1.0	EA	410.00
8	1223203	Inner Pipe Stand Wld	1.0	EA	410.00

Please visit <https://fusion.mcelroy.com/parts> to purchase parts or for more information.

