



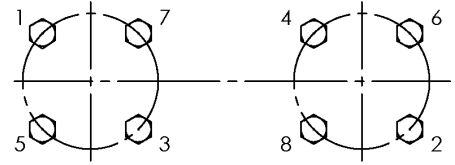
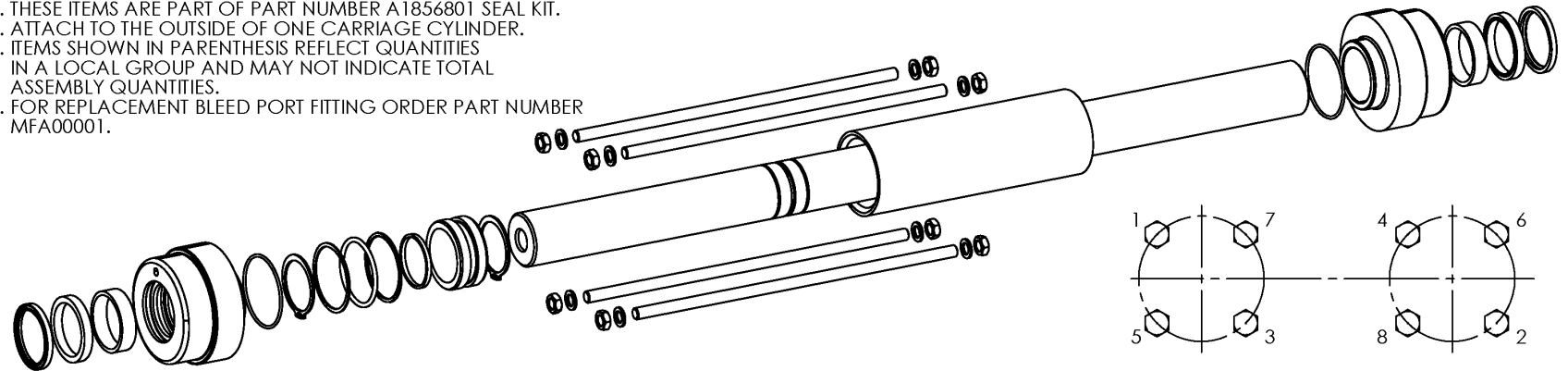
McElroy Manufacturing, Inc.
The leader by design.
Tulsa, Oklahoma U.S.A.

DRAWN: LBK CHECK: BLM APPRVD: DWP DATE: 11/13/08 SHT No: 1 REV No: C PART No: 1263201

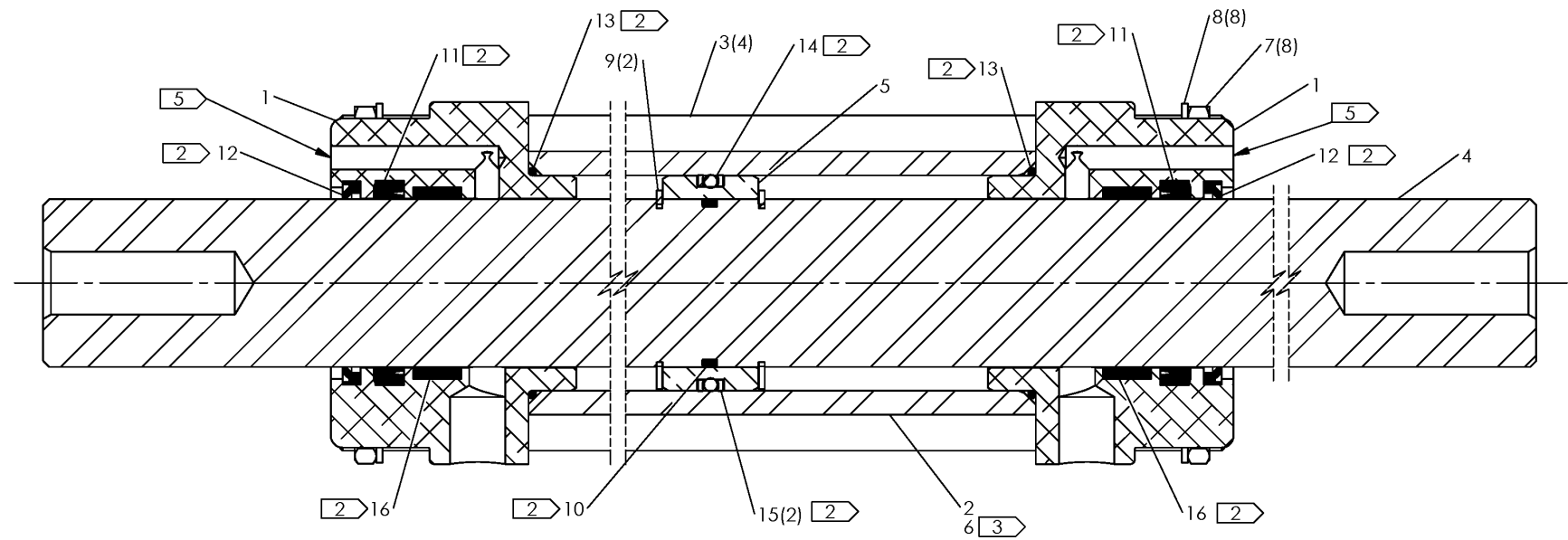
DynaMc HP LOW FORCE CYLINDER ASSEMBLY SET

NOTE: THIS DRAWING AND THE INFORMATION CONTAINED THEREIN IS THE CONFIDENTIAL AND PROPRIETARY PROPERTY OF McElroy Manufacturing, Inc. THE DRAWING IS NOT TO BE REPRODUCED IN ANY MANNER, SUBMITTED TO OUTSIDE PARTIES FOR EXAMINATION, OR USED DIRECTLY OR INDIRECTLY FOR THE PURPOSES OTHER THAN THOSE FOR WHICH IT WAS FURNISHED WITHOUT WRITTEN PERMISSION OF McElroy Manufacturing, Inc.

- NOTES:
1. TOTAL EFFECTIVE PISTON AREA = 3.14 SQ. IN.
 2. THESE ITEMS ARE PART OF PART NUMBER A1856801 SEAL KIT.
 3. ATTACH TO THE OUTSIDE OF ONE CARRIAGE CYLINDER.
 4. ITEMS SHOWN IN PARENTHESIS REFLECT QUANTITIES IN A LOCAL GROUP AND MAY NOT INDICATE TOTAL ASSEMBLY QUANTITIES.
 5. FOR REPLACEMENT BLEED PORT FITTING ORDER PART NUMBER MFA00001.



TIE ROD TORQUE PROCEDURE
TIGHTEN TIE ROD NUTS IN
SEQUENCE 16-20 Ft. Lbs.



McElroy Manufacturing Parts List

Part Number: 1263201 DynaMc Hand Pump Low Force Cylinder Assembly Set

Part Number 1263201 Component List

Item	Component	Description	Quantity	Unit	Price
1	1205601	LF Rod Gland	4.0	EA	610.00
2	1254601	Dynamc LF Carriage Cyl	2.0	EA	0.00
3	1254701	Dynamc Tie Rod	8.0	EA	39.72
4	1259301	Dynamc HP Guide Rod	2.0	EA	0.00
5	1856802	LF Piston	2.0	EA	252.00
6	816374	3.14 SQ IN Tapa Label	1.0	EA	12.64
7	MBA00047	3/8-24NF Fnsh Hex Nut GR8 PL	16.0	EA	0.42
8	MBG00001	3/8 Type 'an' FL Wshr Stl PL	16.0	EA	0.26
9	MCB00011	Ext Snap Ring	4.0	EA	2.54
10	MDL00003	O-ring	2.0	EA	0.91
11	MDL00091	Seal	4.0	EA	30.92
12	MDL00092	Wiper	4.0	EA	6.32
13	MDL00188	O-ring	4.0	EA	1.03
14	MDL00224	O-ring	2.0	EA	1.56
15	MDL00225	Back-up Ring (Effective to 3/13/18)	4.0	EA	3.03
15	MDL00369	Back-up Ring	4.0	EA	0.00
16	MDM00279	2 OD Gland Bearing Ring	4.0	EA	4.31

Please visit <https://fusion.mcelroy.com/parts> to purchase parts or for more information.