



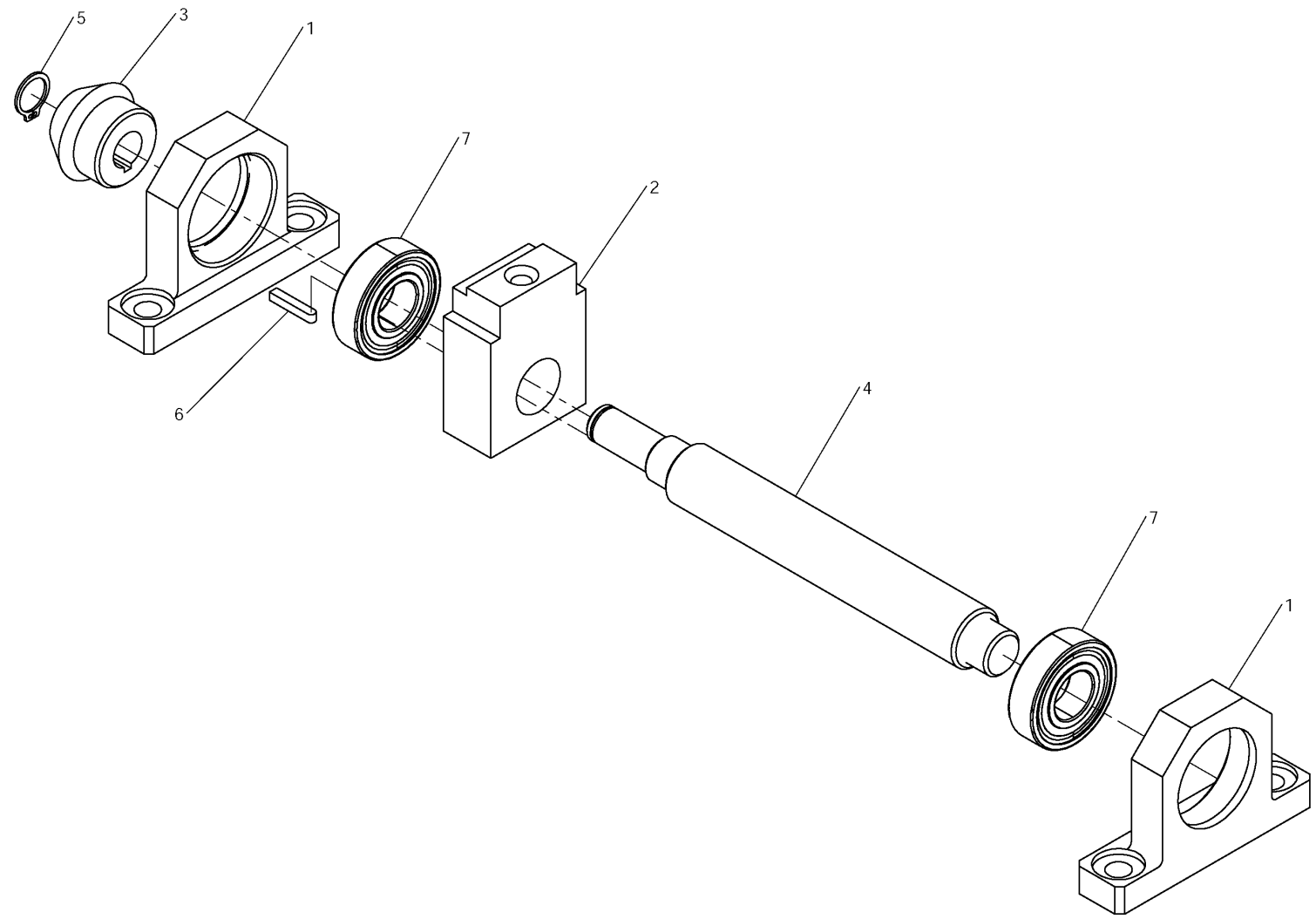
McElroy Manufacturing, Inc.
The leader by design.
Tulsa, Oklahoma U.S.A.

DRAWN: MRP	CHECK: DWP	APPRVD: JRP	DATE: 12/1/08	SHT No: 1	REV No: A	PART No: 1270401
------------	------------	-------------	---------------	-----------	-----------	------------------

412 STUB END HOLDER LEAD SCREW ASSEMBLY

NOTE: THIS DRAWING AND THE INFORMATION CONTAINED THEREIN IS THE CONFIDENTIAL AND PROPRIETARY PROPERTY OF McElroy Manufacturing, Inc. THE DRAWING IS NOT TO BE REPRODUCED IN ANY MANNER, SUBMITTED TO OUTSIDE PARTIES FOR EXAMINATION, OR USED DIRECTLY OR INDIRECTLY FOR THE PURPOSES OTHER THAN THOSE FOR WHICH IT WAS FURNISHED WITHOUT WRITTEN PERMISSION OF McElroy Manufacturing, Inc.

NOTES:
1. APPLY RETAINING COMPOUND TO THE OUTER RACES OF BEARINGS WHEN INSTALLING.



McElroy Manufacturing Parts List

Part Number: 1270401 412 Stub End Holder Lead Screw Assembly

Part Number 1270401 Component List

Item	Component	Description	Quantity	Unit	Price
1	885401	28 Stub Hldr Lead Scr Brg Hsng	2.0	EA	150.00
2	885801	28 Stub End Holder Jaw Base	1.0	EA	187.00
3	885901	28 Stub End Holder Bevel Gear	1.0	EA	241.00
4	1270501	412 Stub End Holder Lead Screw	1.0	EA	275.00
5	MCB00017	Ext Snap Ring	1.0	EA	0.49
6	MCK00072	3/32X3/32X1/2LG Key,sq Ends	1.0	EA	30.26
7	MDM00402	Bearing	2.0	EA	64.29

Please visit <https://fusion.mcelroy.com/parts> to purchase parts or for more information.

