



McElroy Manufacturing, Inc.  
The leader by design.  
Tulsa, Oklahoma U.S.A.

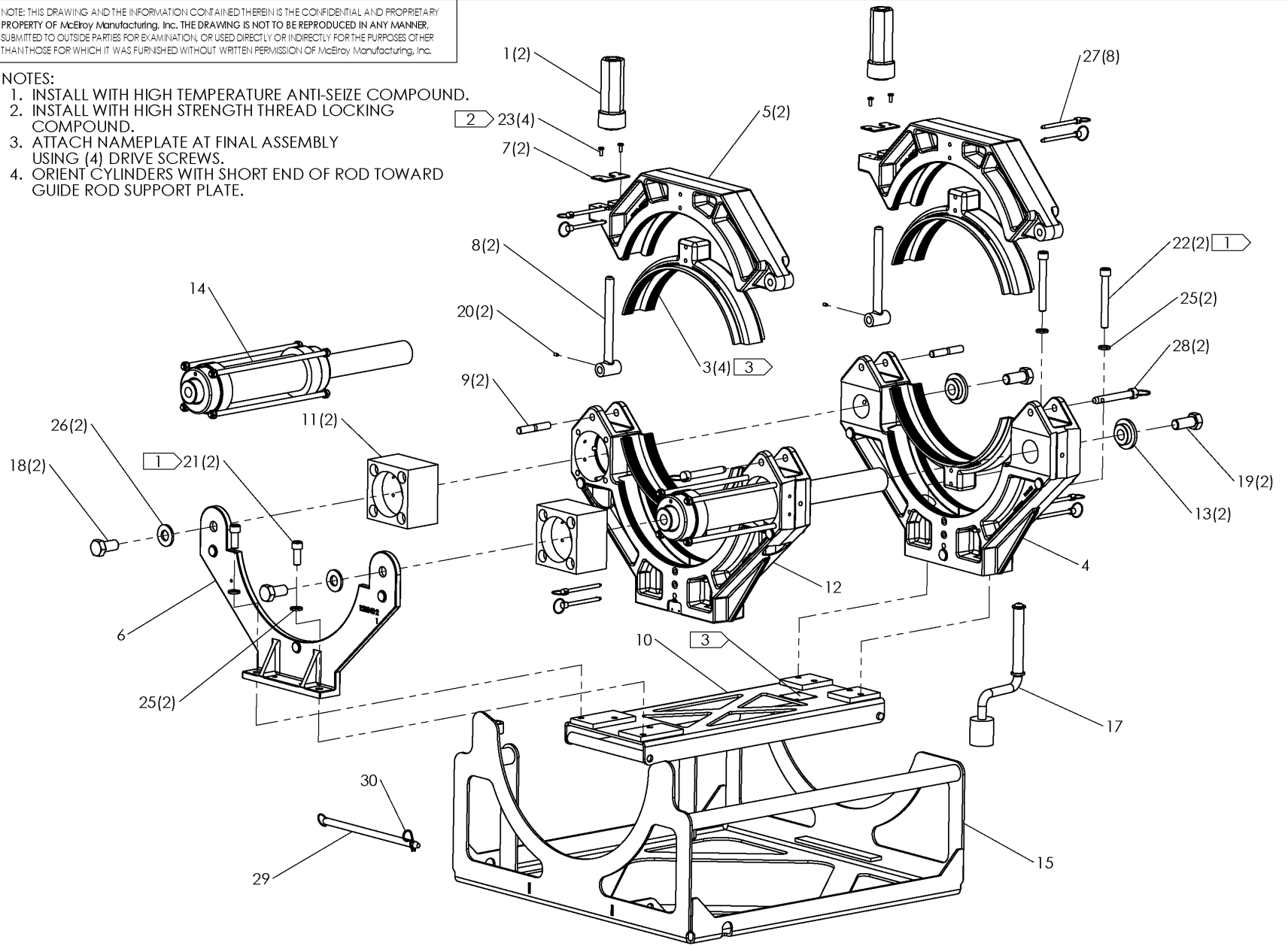
DRAWN: PJD CHECK: BLM APPRVD: DWP DATE: 12/10/09 SHT No: 1 REV No: C PART No: 1274901

DynaMc® 412 EP 2 JAW CARRIAGE ASSEMBLY

NOTE: THIS DRAWING AND THE INFORMATION CONTAINED THEREIN IS THE CONFIDENTIAL AND PROPRIETARY PROPERTY OF McElroy Manufacturing, Inc. THE DRAWING IS NOT TO BE REPRODUCED IN ANY MANNER, SUBMITTED TO OUTSIDE PARTIES FOR EXAMINATION, OR USED DIRECTLY OR INDIRECTLY FOR THE PURPOSES OTHER THAN THOSE FOR WHICH IT WAS FURNISHED WITHOUT WRITTEN PERMISSION OF McElroy Manufacturing, Inc.

NOTES:

1. INSTALL WITH HIGH TEMPERATURE ANTI-SEIZE COMPOUND.
2. INSTALL WITH HIGH STRENGTH THREAD LOCKING COMPOUND.
3. ATTACH NAMEPLATE AT FINAL ASSEMBLY USING (4) DRIVE SCREWS.
4. ORIENT CYLINDERS WITH SHORT END OF ROD TOWARD GUIDE ROD SUPPORT PLATE.



## McElroy Manufacturing Parts List

**Part Number:** 1274901 DynaMc 412 Electric Pump 2 Jaw Carriage Assembly

**Part Number 1274901 Component List**

Item	Component	Description	Quantity	Unit	Price
1	A1254201	Dynamc Clamp Knob Assy	2.0	EA	201.00
2	888301	Dynamc 250 All Thread (Effective to 6/14/10)	1.0	EA	0.00
3	1203101	12IPS/DIPS Master Insert	4.0	EA	363.00
4	1203206	Dynamc Outer Fixed Jaw	1.0	EA	1,240.00
5	1203302	Dips Upper Jaw	2.0	EA	888.00
6	1203402	Guide Rod Support Plate	1.0	EA	447.00
7	1210501	Clamp Pad	2.0	EA	29.31
8	1217101	Eyebolt	2.0	EA	97.38
9	1226501	.500" X 3" Jaw Pivot Pin	2.0	EA	25.24
10	1255701	Dynamc Carriage Skid Wld	1.0	EA	741.00
11	1259001	Dynamc Cyl End Block	2.0	EA	321.00
12	1259401	Dynamc Moveable Jaw	1.0	EA	1,381.00
13	1259501	Dynamc Outer Fixed Jaw Spacer	2.0	EA	74.23
14	1263501	DynaMc Hand Pump 2 Jaw Low Force Cylinder Assembly Set	1.0	EA	3,138.00
15	1264301	Dynamc 2 Jaw Roll Bar Skid Wld	1.0	EA	1,478.00
16	1274701	DynaMc EP 2 Jaw Carriage Hydraulic/Plumbing Schematic	1.0	EA	0.00
17	1818501	12/18 Speed Wrench Assy	1.0	EA	231.00
18	MAB00091	3/4-10NCX1-1/2LG Hhcs	2.0	EA	3.16
19	MAB00177	3/4-10NCX1-3/4 LG Hhcs GR8	2.0	EA	4.06
20	MAG00002	#10-24NCX3/8LG Skt Set Scr	2.0	EA	1.27
21	MAN00017	1/2-13NCX1-1/4LG Shcs SS	2.0	EA	2.05
22	MAN00018	1/2-13NCX4LG Shcs SS	2.0	EA	5.27
23	MAN00062	#10-24NCX1/2 LG Bhscs SS	4.0	EA	0.29
24	MBA00009	1/2-13NC Fnsh Hex Nut Stl PL (Effective to 6/14/10)	2.0	EA	0.46
25	MBE00009	1/2 Reg Splt Lck Washer Stl PL	4.0	EA	0.18
26	MBG00010	3/4 Flat Washer Bla	2.0	EA	5.74
27	MCE00003	1/4 DIA X3.00 Grip Detent Pin	8.0	EA	7.94
28	MCE00007	1/2 DIA X3.00 Grip Detent Pin	2.0	EA	12.24
29	MCF00051	1/2 DIA X9.68/9.63 Grip Clv Pin	1.0	EA	50.06
30	MCH00015	3/8 DIA X1-7/8 LG Hair Pin	1.0	EA	0.51

Please visit <https://fusion.mcelroy.com/parts> to purchase parts or for more information.