

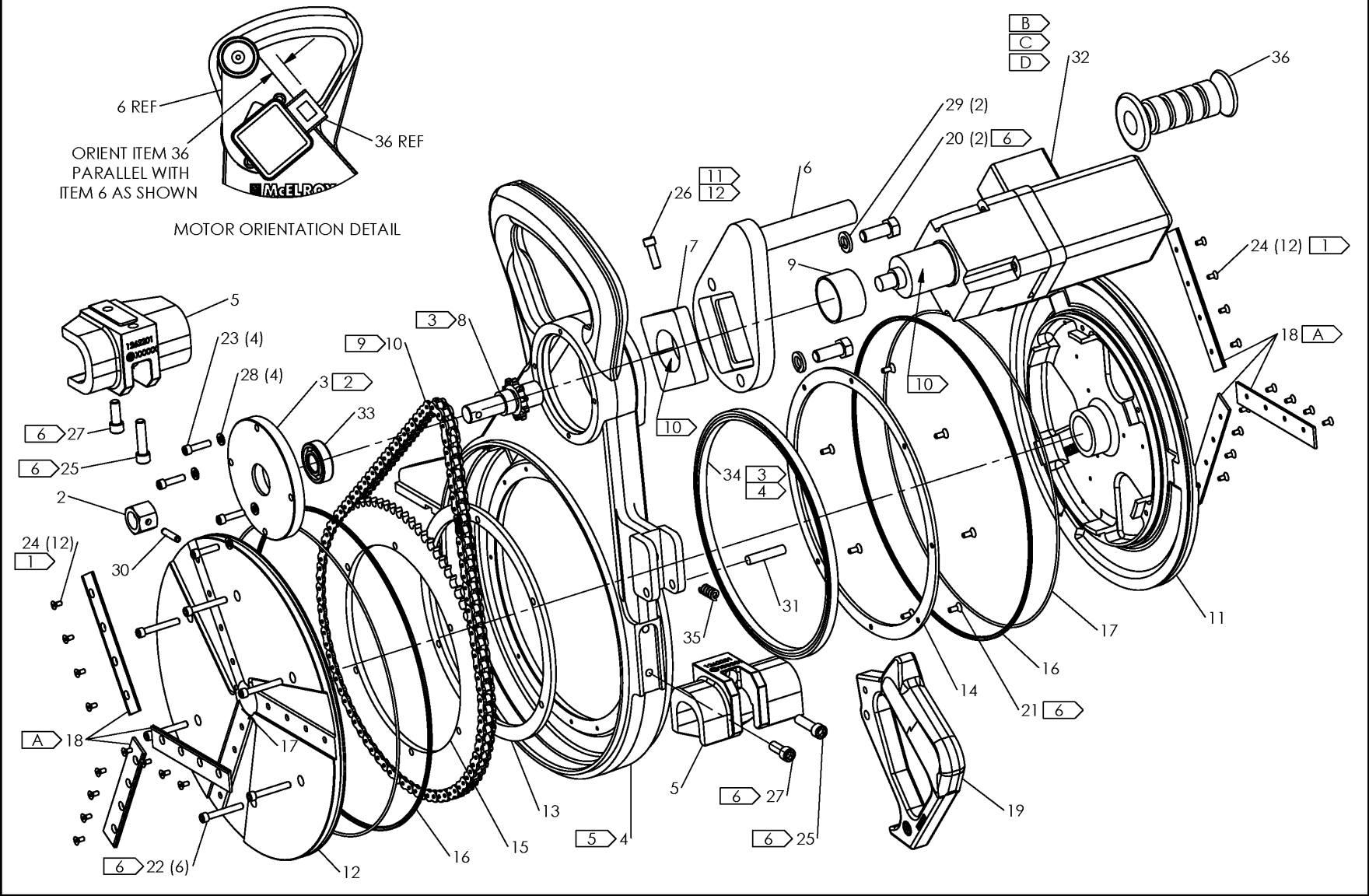


McElroy Manufacturing, Inc.
The leader by design.
Tulsa, Oklahoma U.S.A.

DRAWN: LBK CHECK: JBC APPRVD: DWP DATE: 10/10/09 SHT No: 1A REV No: H PART No: 1275201

DynaMc™ #412 HAND PUMP ELECTRIC FACER ASSEMBLY (220/240V, 50/60Hz, 1Ph)

NOTE: THIS DRAWING AND THE INFORMATION CONTAINED THEREIN IS THE CONFIDENTIAL AND PROPRIETARY PROPERTY OF McElroy Manufacturing, Inc. THE DRAWING IS NOT TO BE REPRODUCED IN ANY MANNER, SUBMITTED TO OUTSIDE PARTIES FOR EXAMINATION, OR USED DIRECTLY OR INDIRECTLY FOR THE PURPOSES OTHER THAN THOSE FOR WHICH IT WAS FURNISHED WITHOUT WRITTEN PERMISSION OF McElroy Manufacturing, Inc.





McElroy Manufacturing, Inc.

The leader by design.

Tulsa, Oklahoma U.S.A.

DRAWN: LBK

CHECK: JBC

APPRVD: DWP

DATE: 10/10/09

SHT No: 1B

REV No: H

PART No: 1275201

DynaMc™ #412 HAND PUMP ELECTRIC FACER ASSEMBLY (220/240V, 50/60Hz, 1Ph)

NOTE: THIS DRAWING AND THE INFORMATION CONTAINED THEREIN IS THE CONFIDENTIAL AND PROPRIETARY PROPERTY OF McElroy Manufacturing, Inc. THE DRAWING IS NOT TO BE REPRODUCED IN ANY MANNER, SUBMITTED TO OUTSIDE PARTIES FOR EXAMINATION, OR USED DIRECTLY OR INDIRECTLY FOR THE PURPOSES OTHER THAN THOSE FOR WHICH IT WAS FURNISHED WITHOUT WRITTEN PERMISSION OF McElroy Manufacturing, Inc.

NOTES:

1. INSTALL WITH HIGH TEMPERATURE ANTI-SEIZE COMPOUND.
2. INSTALL WITH GASKET SEALER.
3. INSTALL WITH RETAINING COMPOUND USING A COMPATIBLE CLEANER FIRST.
4. PACK BEARINGS WITH EP GREASE.
5. FILL CAVITY 2/3 FULL WITH EP GREASE.
6. INSTALL WITH MEDIUM STRENGTH THREADLOCKING COMPOUND.
7. ITEMS SHOWN IN PARENTHESIS REFLECT QUANTITIES IN LOCAL GROUP AND MAY NOT INDICATE TOTAL ASSEMBLY QUANTITIES.
9. REMOVE 4 LINKS FROM CHAIN ASSEMBLY.
10. ENSURE MATING SURFACES ARE CLEAN AND FREE OF OIL AND GREASE.
11. TORQUE TO 11 FT-LBS.
12. ASSEMBLE WITH HIGH STRENGTH RETAINING COMPOUND.

NOTES:

- A. FOR BLADE SET ORDER T1208610 WHICH INCLUDES (6) T1208609 AND MOUNTING SCREWS.
- B. FOR ELECTRIC CORD ASSEMBLY ORDER MDB00125
- C. FOR TOGGLE SWITCH ORDER MDB00123
- D. FOR STRAIN RELIEF ORDER MDB00127

McElroy Manufacturing Parts List

Part Number: 1275201 DynaMc 412 Hand Pump 220-240V, 50/60Hz, 1Ph Facer Assembly

Part Number 1275201 Component List

Item	Component	Description	Quantity	Unit	Price
1	410902	Danger Not Expln Proof Label	1.0	EA	1.80
2	808802	Driver Sprocket Hex	1.0	EA	69.11
3	1261801	Dynamc Elec Facer Bearing Cap	1.0	EA	168.00
4	1262002	Dynamc Facer Body	1.0	EA	1,996.00
5	1262201	Dynamc 412 Guide Rod Bracket	2.0	EA	144.00
6	1275301	Dynamc EL Fcr Mtr Adpt PL Wld	1.0	EA	877.00
7	1275401	Dynamc EL Fcr Mtr Split Clamp	1.0	EA	215.00
8	1275501	Dynamc Elec Fcr Shaft Wld	1.0	EA	887.00
9	1275601	Dynamc Elec Facer Spacer	1.0	EA	60.64
10	AT1208701	Facer Roller Chain Assembly	1.0	EA	61.15
11	T1208102	Tapped Blade Holder	1.0	EA	1,441.00
12	T1208103	C'bored Blade Holder	1.0	EA	1,441.00
13	T1208201	Bearing Spacer	1.0	EA	108.00
14	T1208301	Bearing Retainer	1.0	EA	200.00
15	T1208401	Driven Sprocket	1.0	EA	231.00
16	T1208501	Facer Seal Ring	2.0	EA	54.37
17	T1208502	Facer Body O'ring	2.0	EA	6.06
18	T1208609	6.12 LG Facer Blade	6.0	EA	135.00
19	T5008801	Replaced by T5008803 (Effective to 6/6/13)	1.0	EA	0.00
19	T5008803	Fcr Latch Handle	1.0	EA	361.00
20	MAB00081	1/2-13NCX1-1/4LG Hhcs	2.0	EA	1.43
21	MAD00031	#10-24NCX1/2LG Fhscs	8.0	EA	0.39
22	MAH00051	1/4-20NCX1-3/4LG Shcs SS	6.0	EA	1.23
23	MAH00052	1/4-20NC X 3/4"LG Shcs SS (Effective to 5/1/25)	4.0	EA	0.49
23	MAH00055	1/4-20NCX1LG Shcs SS	4.0	EA	0.41
24	MAH00074	#8-32NCX3/8LG Fhscs SS	24.0	EA	0.29
25	MAH00078	3/8-16NCX1-1/2LG Shcs SS	2.0	EA	2.09
26	MAH00148	5/16-18NCX1LG Shcs SS (Effective to 10/26/17)	1.0	EA	0.62
26	MAH00274	5/16-18NCX7/8LG Shcs SS	1.0	EA	0.62
27	MAN00009	3/8-16NCX1LG Shcs SS	2.0	EA	1.05
28	MBE00005	1/4 Reg Splt Lck Washer Stl PL	4.0	EA	0.10
29	MBE00009	1/2 Reg Splt Lck Washer Stl PL	2.0	EA	0.18
30	MCG00009	1/4DIAX1-1/8LG Roll Pin ZN PL	1.0	EA	0.73
31	MCK00017	3/8DIAX1-3/4LG Lock Pin Stl PL	1.0	EA	3.45
32	MDB00121	220V, 1150W Universal Motor	1.0	EA	1,631.00
33	MDM00027	Ball Bearing	1.0	EA	24.99
34	MDM00304	10" ID X 10.75" OD Bearing	1.0	EA	2,518.00
35	MJE00008	Die Spring	1.0	EA	6.69
36	MJJ00009	1" Black Gloss Hand Grip	1.0	EA	3.86

Please visit <https://fusion.mcelroy.com/parts> to purchase parts or for more information.