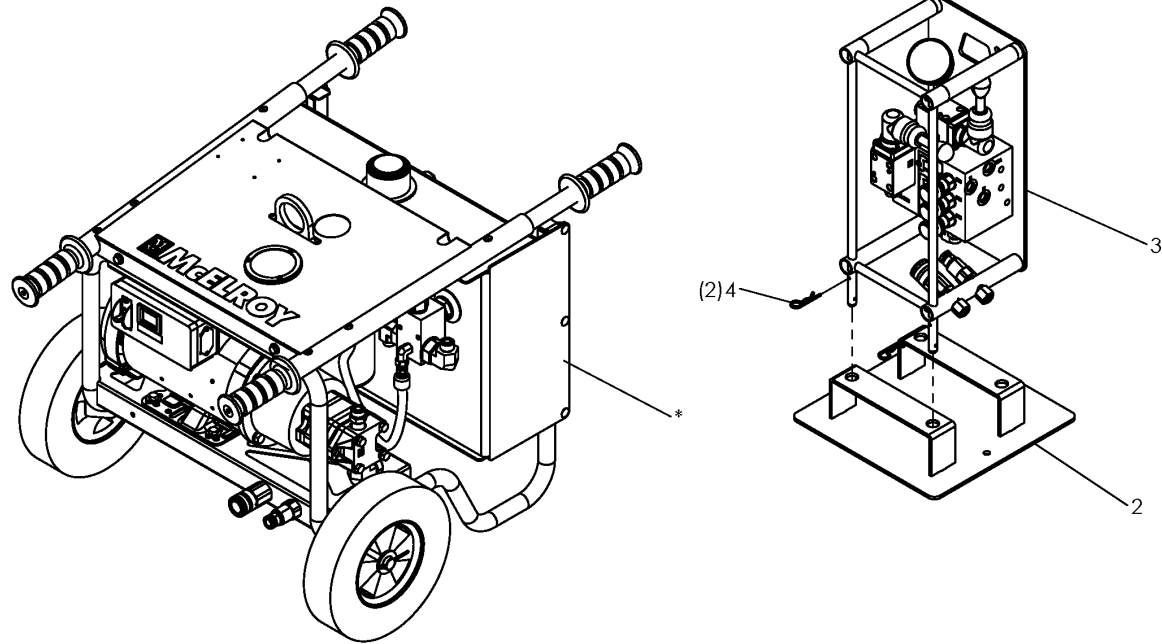


## EP 1500AD HPU AND MANIFOLD ASSEMBLY

NOTE: THIS DRAWING AND THE INFORMATION CONTAINED THEREIN IS THE CONFIDENTIAL AND PROPRIETARY PROPERTY OF McElroy Manufacturing, Inc. THE DRAWING IS NOT TO BE REPRODUCED IN ANY MANNER, SUBMITTED TO OUTSIDE PARTIES FOR EXAMINATION, OR USED DIRECTLY OR INDIRECTLY FOR THE PURPOSES OTHER THAN THOSE FOR WHICH IT WAS FURNISHED WITHOUT WRITTEN PERMISSION OF McElroy Manufacturing, Inc.



### McElroy Manufacturing Parts List

**Part Number:** 1284901 EP1500AD 120V HPU & Manifold Assembly

**Part Number 1284901 Component List**

Item	Component	Description	Quantity	Unit	Price
1	1284801	EP1500AD, 120V, 60Hz, 1Ph HPU Assembly	1.0	EA	0.00
2	1285601	Foot Wld	1.0	EA	240.00
3	1286401	Manifold Assembly	1.0	EA	7,322.00
4	MCH00036	1/8DIA X 2LG Cotter Pin	2.0	EA	0.20

Please visit <https://fusion.mcelroy.com/parts> to purchase parts or for more information.

