



McElroy Manufacturing, Inc.
The leader by design.
Tulsa, Oklahoma U.S.A.

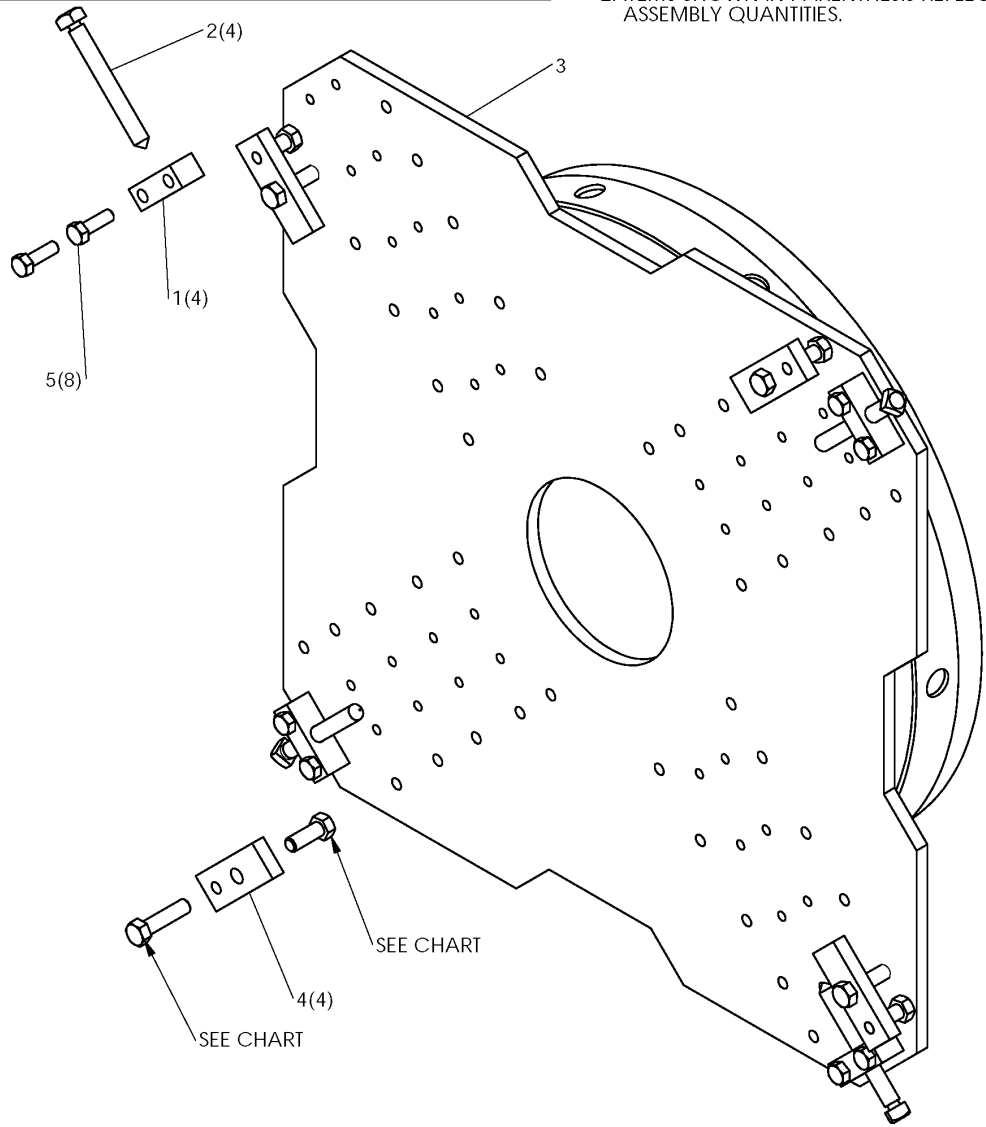
DRAWN: TLW CHECK: BWP APPR'D: SWB DATE: 02/27/01 SHT No: 1 REV No: B PART No: 1808504

618/TracStar® 500 STUB END HOLDER ASSEMBLY

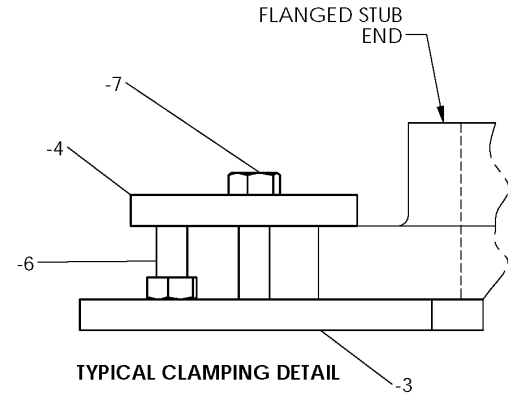
NOTE: THIS DRAWING AND THE INFORMATION CONTAINED THEREIN IS THE CONFIDENTIAL AND PROPRIETARY PROPERTY OF McElroy Manufacturing, Inc. THE DRAWING IS NOT TO BE REPRODUCED IN ANY MANNER, SUBMITTED TO OUTSIDE PARTIES FOR EXAMINATION, OR USED DIRECTLY OR INDIRECTLY FOR THE PURPOSES OTHER THAN THOSE FOR WHICH IT WAS FURNISHED WITHOUT WRITTEN PERMISSION OF McElroy Manufacturing, Inc.

NOTES:

1. MAX FLANGE DIA. = 22.03. 500mm STUB ENDS MAY REQUIRE MODIFICATION FOR USE IN TracStar® 500 FUSION MACHINE.
2. ITEMS SHOWN IN PARENTHESIS REFLECT QUANTITIES IN A LOCAL GROUP AND MAY NOT INDICATE TOTAL ASSEMBLY QUANTITIES.



BOLT SIZING CHART	
FLANGE THICKNESS	ITEM # 'S
LESS THAN 3/4"	6 & 7
3/4" TO < 1 1/4"	7 & 8
1 1/4" TO < 1 3/4"	8 & 9
1 3/4" TO < 2 1/4"	9 & 10
2 1/4" TO < 2 3/4"	10 & 11
2 3/4" TO < 3 1/4"	11 & 12



McElroy Manufacturing Parts List

Part Number: 1808504 618/TracStar 500 Stub End Holder Assembly

Part Number 1808504 Component List

Item	Component	Description	Quantity	Unit	Price
1	805401	Stub End Holder Clamp Block	4.0	EA	0.00
2	805703	Stub End Holder Adj Screw	4.0	EA	40.85
3	1808505	18/T500 Stub End Holder Wld	1.0	EA	0.00
4	1808506	Stub End Clamp	4.0	EA	94.98
5	MAB00033	5/16-18NCX1LG Hhcs	8.0	EA	0.42
6	MAB00064	3/8-16NCX1LG Hhcs	4.0	EA	0.51
7	MAB00066	3/8-16NCX1-1/2LG Hhcs	4.0	EA	0.66
8	MAB00068	3/8-16NCX2LG Hhcs	4.0	EA	0.56
9	MAB00071	3/8-16NCX2-1/2LG Hhcs	4.0	EA	0.55
10	MAB00094	3/8-16NCX3LG Hhcs	4.0	EA	0.00
11	MAB00072	3/8-16NCX3-1/2LG Hhcs	4.0	EA	1.00
12	MAB00073	3/8-16NCX4LG Hhcs	4.0	EA	1.00

Please visit <https://fusion.mcelroy.com/parts> to purchase parts or for more information.