



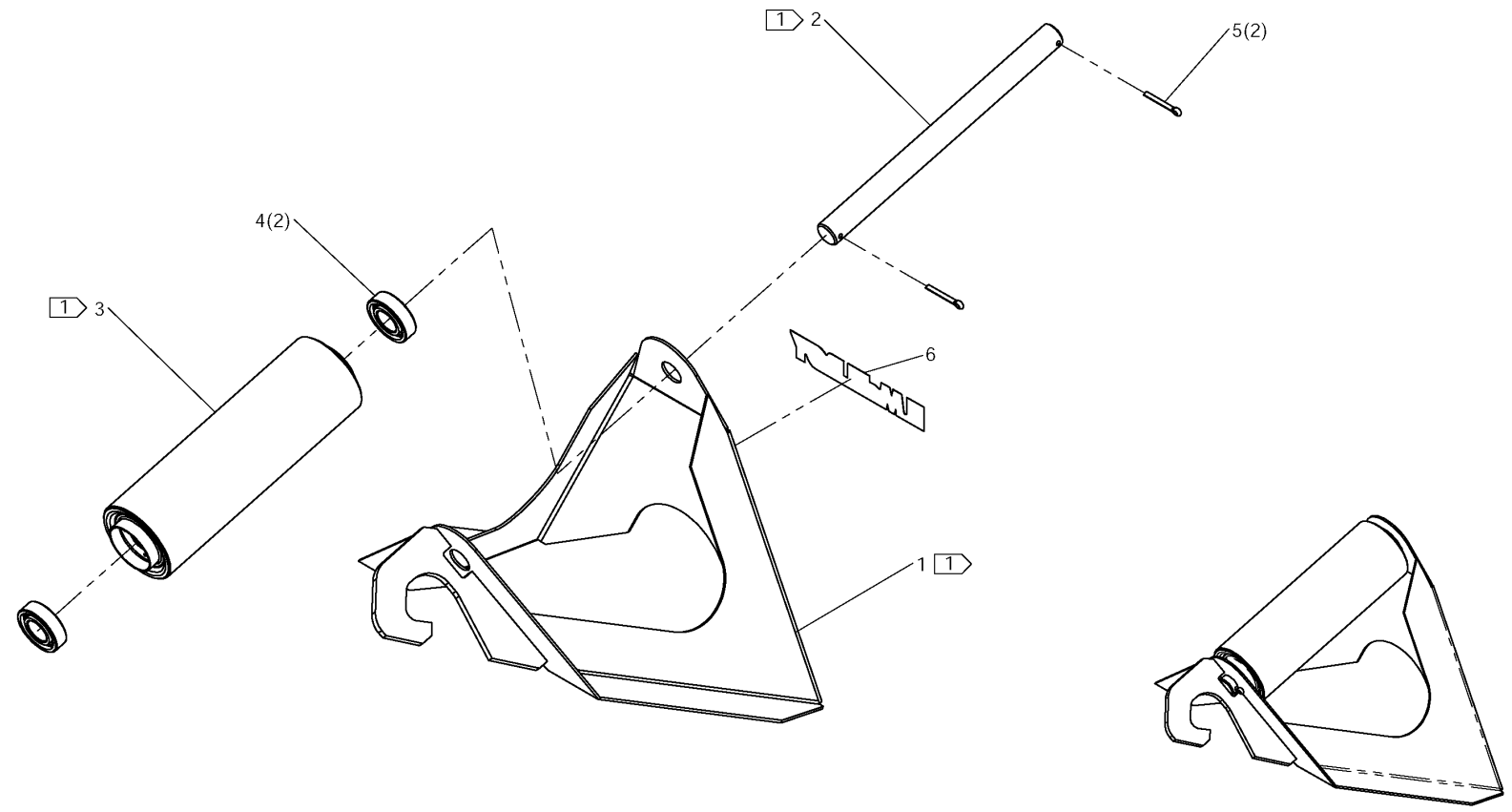
McElroy Manufacturing, Inc.
The leader by design.
Tulsa, Oklahoma U.S.A.

DRAWN: PJD CHECK: DWP APPRVD: SWB DATE: 2/05/08 SHT No: 1 REV No: C PART No: 1867501

LOW PROFILE ROLLER ASSEMBLY

NOTE: THIS DRAWING AND THE INFORMATION CONTAINED THEREIN IS THE CONFIDENTIAL AND PROPRIETARY PROPERTY OF McElroy Manufacturing, Inc. THE DRAWING IS NOT TO BE REPRODUCED IN ANY MANNER, SUBMITTED TO OUTSIDE PARTIES FOR EXAMINATION, OR USED DIRECTLY OR INDIRECTLY FOR THE PURPOSES OTHER THAN THOSE FOR WHICH IT WAS FURNISHED WITHOUT WRITTEN PERMISSION OF McElroy Manufacturing, Inc.

NOTES:
1. THESE ITEMS NOT AVAILABLE AS REPAACEMENT PARTS.



McElroy Manufacturing Parts List

Part Number: 1867501 Low Profile Roller Assembly



Low profile roller assy

Please visit <https://fusion.mcelroy.com/parts> to purchase parts or for more information.