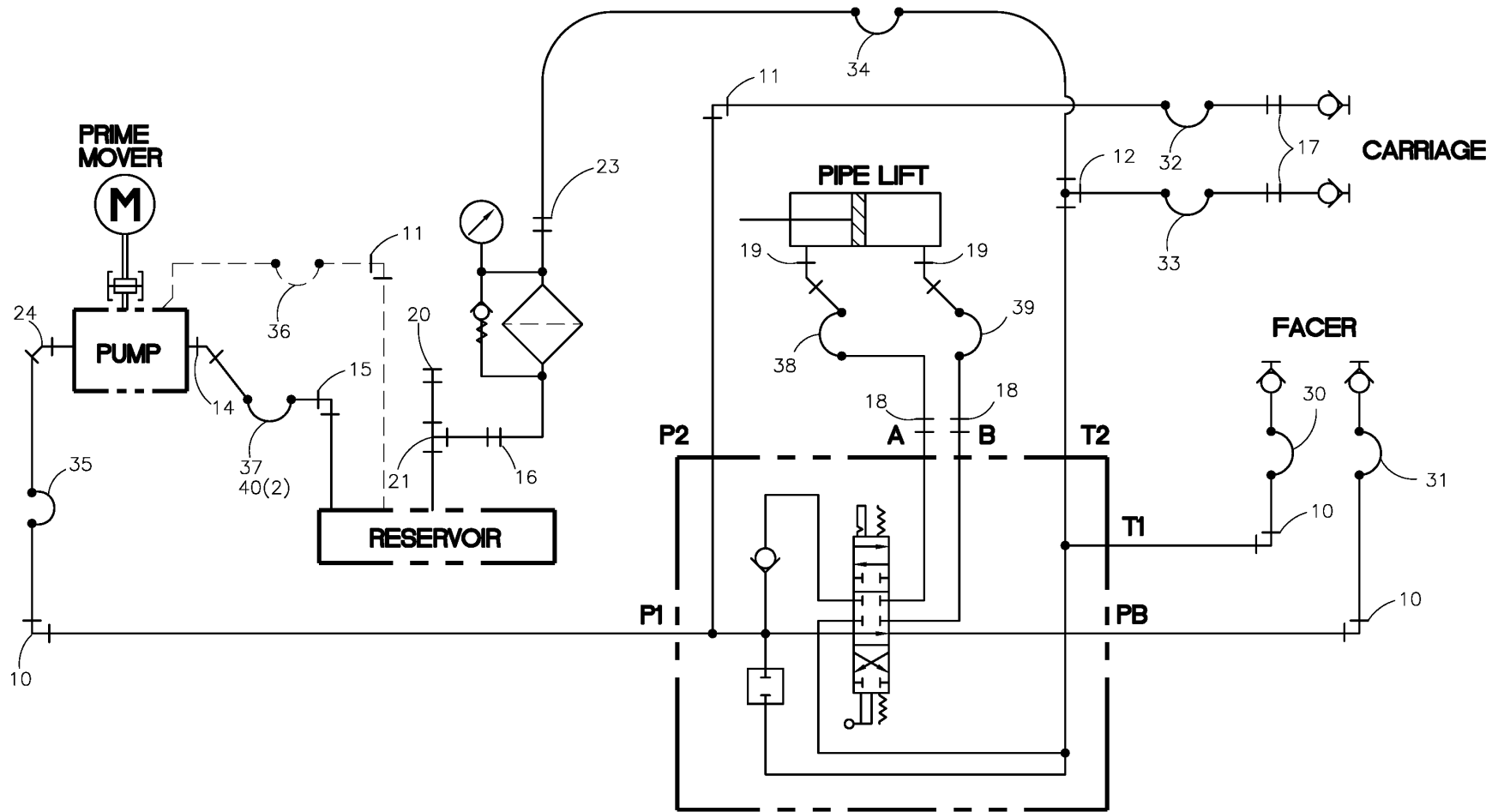




#412/#618 GAS PLUMBING SCHEMATIC

NOTE: THIS DRAWING AND THE INFORMATION CONTAINED THEREIN IS THE CONFIDENTIAL AND PROPRIETARY PROPERTY OF McElroy Manufacturing, Inc. THE DRAWING IS NOT TO BE REPRODUCED IN ANY MANNER, SUBMITTED TO OUTSIDE PARTIES FOR EXAMINATION, OR USED DIRECTLY OR INDIRECTLY FOR THE PURPOSES OTHER THAN THOSE FOR WHICH IT WAS FURNISHED WITHOUT WRITTEN PERMISSION OF McElroy Manufacturing, Inc.

- NOTES:  
1. FOR ITEMS 10 THRU 29 ORDER KIT NUMBER A1869201.  
2. FOR ITEMS 30 AND LARGER ORDER KIT NUMBER A1869202.



## McElroy Manufacturing Parts List

**Part Number:** 1869201 412/618 Gas Plumbing Schematic

### Part Number 1869201 Component List

Item	Component	Description	Quantity	Unit	Price
A	A1869201	12/18 Fitting Kit	1.0	EA	1,055.00
B	A1869202	12/18 Gas Hose Kit	1.0	EA	900.00
1	MFL00041	1-1/2" Hose Sleeve	5.0	FT	4.42

Please visit <https://fusion.mcelroy.com/parts> to purchase parts or for more information.

