

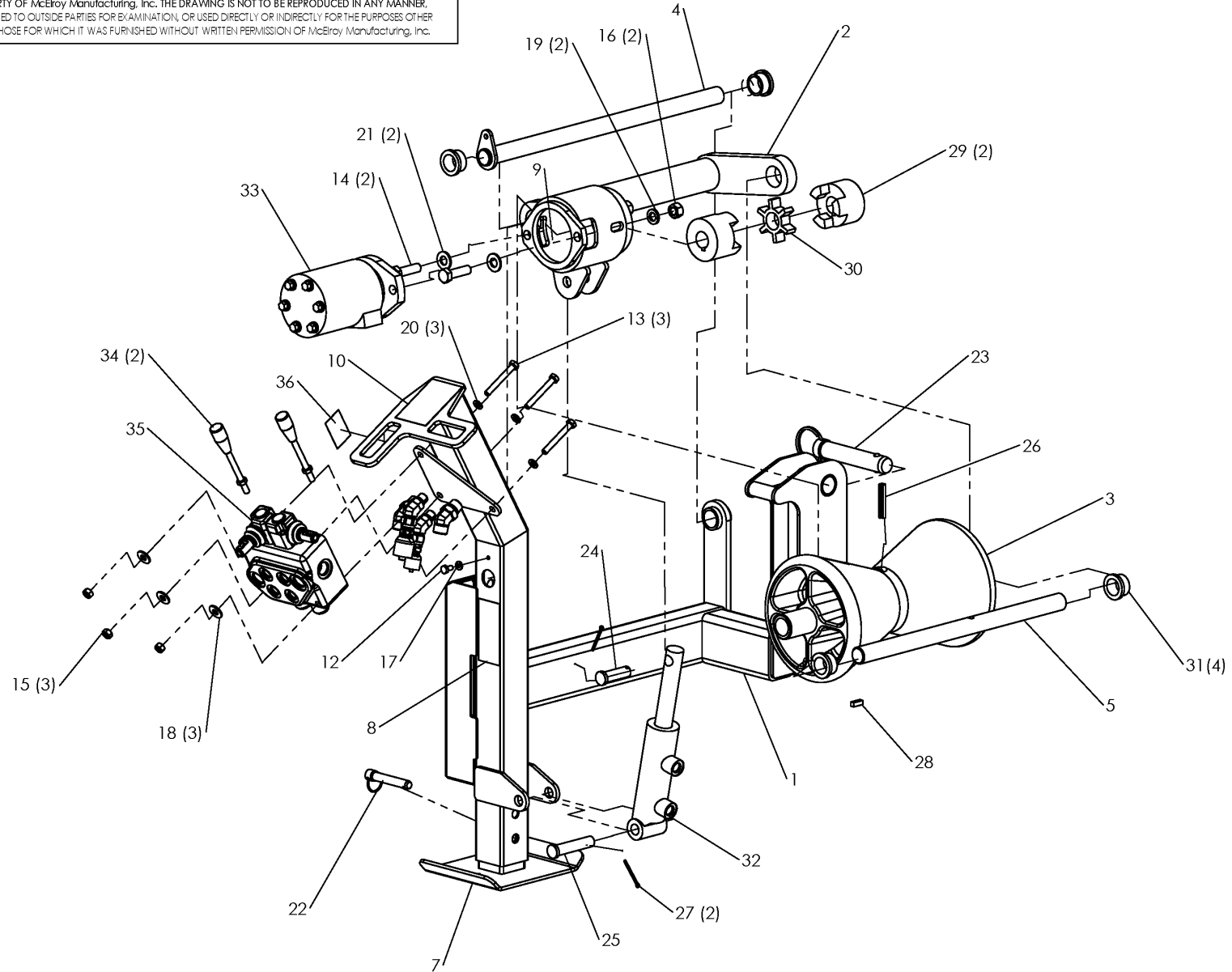


McElroy Manufacturing, Inc.
The leader by design.
Tulsa, Oklahoma U.S.A.

DRAWN: DPD/CMP CHECK: CDR/BLM APPRVD: DWP DATE: 10/16/08 SHT No: 1 REV No: C PART No: 1874401

POLYHORSE POWER ASSISTED ROLLER ASSEMBLY

NOTE: THIS DRAWING AND THE INFORMATION CONTAINED THEREIN IS THE CONFIDENTIAL AND PROPRIETARY PROPERTY OF McElroy Manufacturing, Inc. THE DRAWING IS NOT TO BE REPRODUCED IN ANY MANNER, SUBMITTED TO OUTSIDE PARTIES FOR EXAMINATION, OR USED DIRECTLY OR INDIRECTLY FOR THE PURPOSES OTHER THAN THOSE FOR WHICH IT WAS FURNISHED WITHOUT WRITTEN PERMISSION OF McElroy Manufacturing, Inc.



McElroy Manufacturing Parts List

Part Number: 1874401 Polyhorse Power Assisted Roller Assembly

Part Number 1874401 Component List

Item	Component	Description	Quantity	Unit	Price
1	1874501	Polyhorse Frame Wld	1.0	EA	0.00
2	1874601	Polyhorse Yoke Wld	1.0	EA	0.00
3	1874701	Polyhorse Modified Roller	1.0	EA	1,170.00
4	1874801	Polyhorse Pin Wld	1.0	EA	0.00
5	1874901	Polyhorse Roller Shaft	1.0	EA	0.00
6	1875101	Polyhorse Power Assisted Roller Plumbing Schematic	1.0	EA	0.00
7	1877201	Drop Foot Weldment	1.0	EA	277.00
8	1877403	Polyhorse Caution Label	1.0	EA	35.49
9	1877405	Polyhorse Crush Label	1.0	EA	4.66
10	1877406	Polyhorse Valve Label	1.0	EA	7.24
12	MAB00002	1/4-20NCX1/2LG Hhcs	1.0	EA	0.18
13	MAB00039	5/16-18NCX2-1/2LG Hhcs	3.0	EA	0.70
14	MAB00104	1/2-13NCX1-3/4LG Hhcs	2.0	EA	1.42
15	MBA00006	5/16-18NC Fnsh Hex Nut Stl PL	3.0	EA	0.33
16	MBA00009	1/2-13NC Fnsh Hex Nut Stl PL	2.0	EA	0.46
17	MBE00005	1/4 Reg Splt Lck Washer Stl PL	1.0	EA	0.10
18	MBE00006	5/16 Reg Splt Lck Wshr Stl PL	3.0	EA	0.11
19	MBE00009	1/2 Reg Splt Lck Washer Stl PL	2.0	EA	0.18
20	MBF00006	5/16TY 'a' Wide FL Wshr Stl PL	3.0	EA	0.11
21	MBF00009	1/2 TY 'a' Wide FL Wshr Stl PL	2.0	EA	0.25
22	MCE00029	1/2DIA.X2.50 Grip Detent Pin	1.0	EA	23.71
23	MCE00040	1DIA. X 3.50 Grip Detent Pin	1.0	EA	53.73
24	MCF00041	5/8DIAX1-49/64 Grip Clevis Pin	1.0	EA	0.00
25	MCF00042	5/8DIAX2-49/64 Grip Clevis Pin	1.0	EA	0.00
26	MCG00030	3/8DIAX2LG Roll Pin	1.0	EA	0.00
27	MCH00002	1/8DIAX1-1/2LG Cotter Pin	2.0	EA	0.12
28	MCK00040	1/4X1/4X3/4"LG Key,sq Ends	1.0	EA	3.00
29	MDJ00079	1B X 1/4KEY AL100 Couplinghalf	2.0	EA	0.00
30	MDJ00080	L100 Sox Nbr Spider	1.0	EA	41.32
31	MDM00212	Flange Bushing	4.0	EA	0.00
32	MEB00131	1-1/2B X 2S X 1R Hyd Cyl	1.0	EA	0.00
33	MEC00004	1"SHT,1/4K,11.9CID Hyd Mtr	1.0	EA	689.00
34	MEF00077	Valve Hand Lever	2.0	EA	7.04
35	MEF00190	2-SPOOL Dir Valve, Less Hdl	1.0	EA	815.00
36	8163243	Patent Information Label	1.0	EA	0.00

Please visit <https://fusion.mcelroy.com/parts> to purchase parts or for more information.