

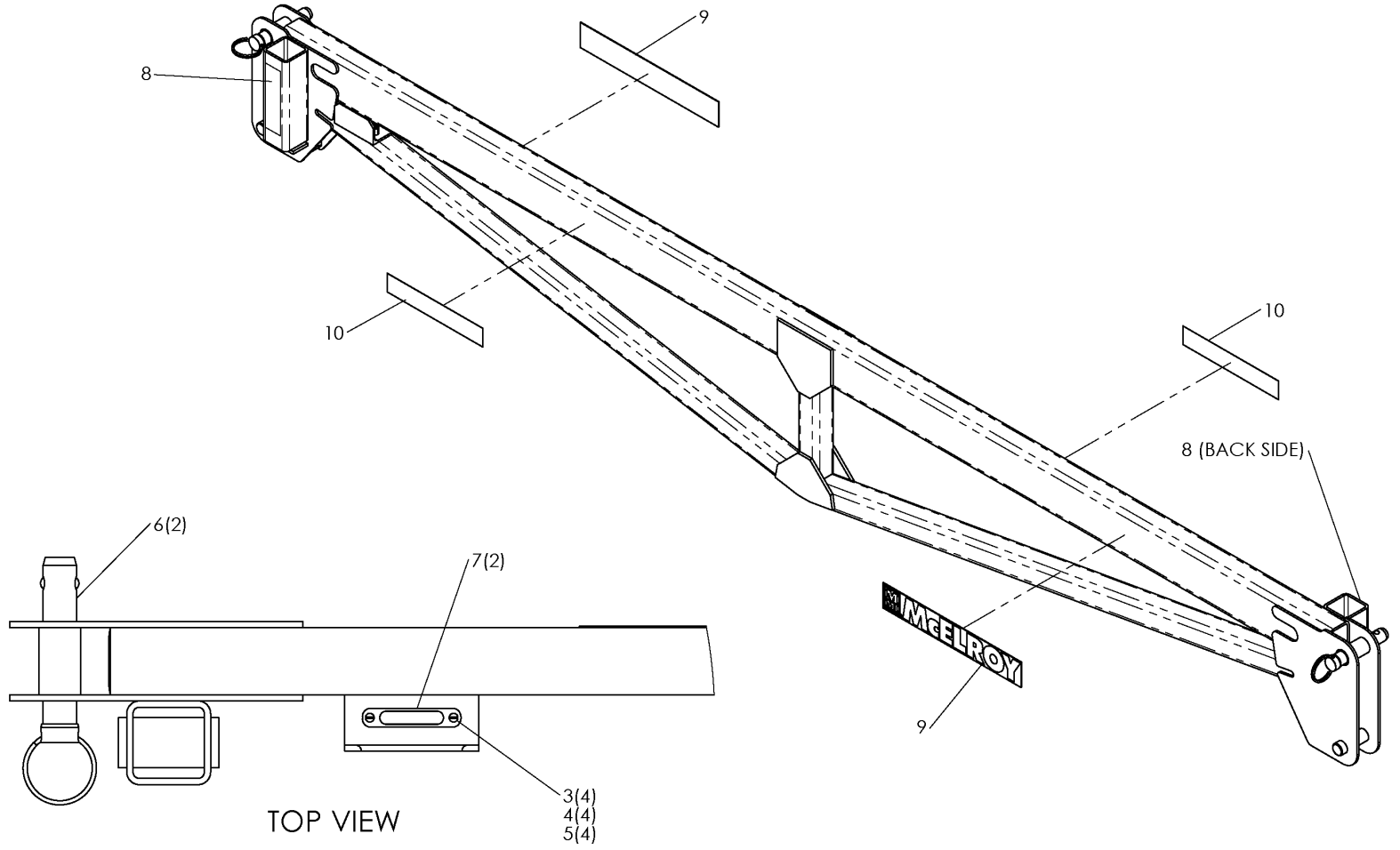


McElroy Manufacturing, Inc.
 The leader by design.
 Tulsa, Oklahoma U.S.A.

DRAWN: LBK	CHECK: BLM	APPRVD: DWP	DATE: 7/31/06	SHT No: 1	REV No: E	PART No: 1875601
------------	------------	-------------	---------------	-----------	-----------	------------------

TRUSS ASSEMBLY

NOTE: THIS DRAWING AND THE INFORMATION CONTAINED THEREIN IS THE CONFIDENTIAL AND PROPRIETARY PROPERTY OF McElroy Manufacturing, Inc. THE DRAWING IS NOT TO BE REPRODUCED IN ANY MANNER, SUBMITTED TO OUTSIDE PARTIES FOR EXAMINATION, OR USED DIRECTLY OR INDIRECTLY FOR THE PURPOSES OTHER THAN THOSE FOR WHICH IT WAS FURNISHED WITHOUT WRITTEN PERMISSION OF McElroy Manufacturing, Inc.



McElroy Manufacturing Parts List

Part Number: 1875601 Truss Assembly

Part Number 1875601 Component List

Item	Component	Description	Quantity	Unit	Price
1	1876001	Truss Weldment	1.0	EA	0.00
3	MAH00201	#6-32NCX1LG Rhsms	4.0	EA	1.00
4	MBA00002	#6-32NC Hex Nut Stl PL	4.0	EA	0.32
5	MBE00002	#6 Reg Splt Lck Washer Stl PL	4.0	EA	0.11
6	MCE00040	1DIA. X 3.50 Grip Detent Pin	2.0	EA	53.73
7	MJQ00412	Tubular Spirit Level	2.0	EA	59.45
8	1877401	Polyhorse Stanchn Danger Label	2.0	EA	24.16
9	8163120	Large McElroy Branding Label	2.0	EA	6.41
10	4840501	Polyhorse Label	2.0	EA	0.00

Please visit <https://fusion.mcelroy.com/parts> to purchase parts or for more information.

