

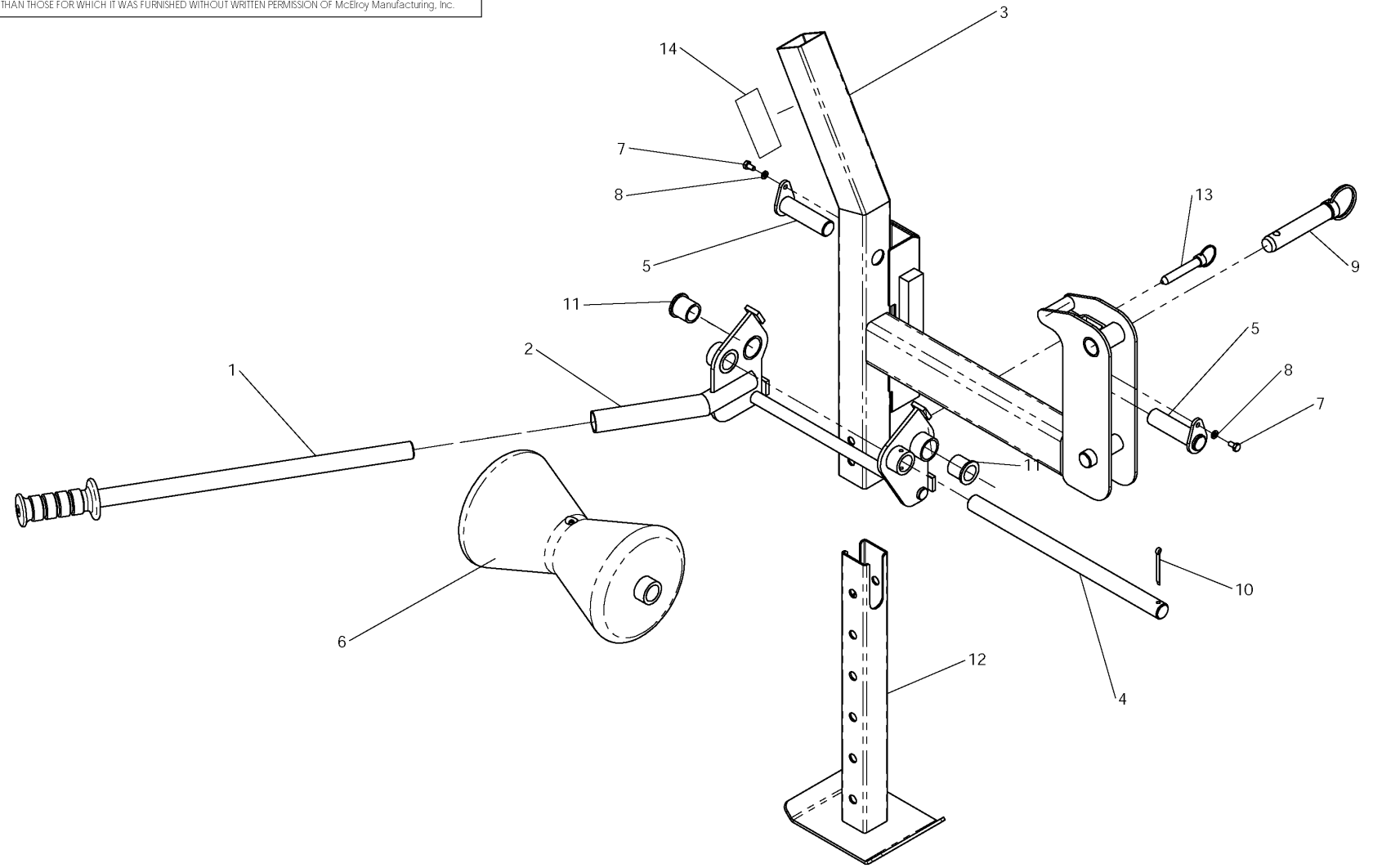


McElroy Manufacturing, Inc.
The leader by design.
Tulsa, Oklahoma U.S.A.

DRAWN: LBK CHECK: BLW APPRVD: DWP DATE: 7/25/06 SHT No: 1 REV No: C PART No: 1876301

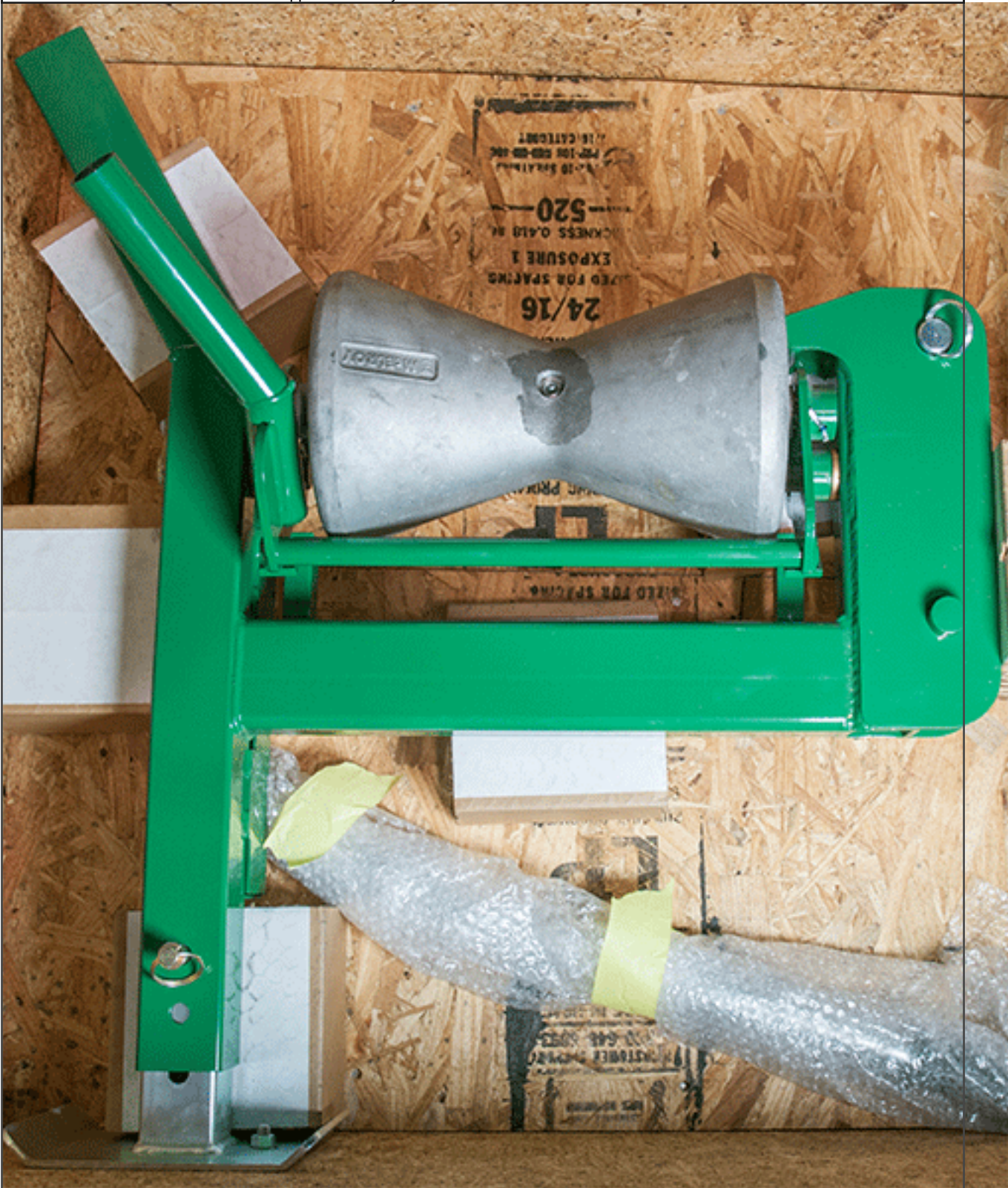
PIVOT ROLLER SUPPORT ASSEMBLY

NOTE: THIS DRAWING AND THE INFORMATION CONTAINED THEREIN IS THE CONFIDENTIAL AND PROPRIETARY PROPERTY OF McElroy Manufacturing, Inc. THE DRAWING IS NOT TO BE REPRODUCED IN ANY MANNER, SUBMITTED TO OUTSIDE PARTIES FOR EXAMINATION, OR USED DIRECTLY OR INDIRECTLY FOR THE PURPOSES OTHER THAN THOSE FOR WHICH IT WAS FURNISHED WITHOUT WRITTEN PERMISSION OF McElroy Manufacturing, Inc.



McElroy Manufacturing Parts List

Part Number: 1876301 Pivot Roller Support Assembly



Pivot roller support assy

Part Number 1876301 Component List

| Item | Component | Description | Quantity | Unit | Price |
|------|-----------|------------------------------|----------|------|----------|
| 1 | 402801 | 24Long Lever Handle Assembly | 1.0 | EA | 52.10 |
| 2 | 1876401 | Roller Pivot Weldment | 1.0 | EA | 608.00 |
| 3 | 1876501 | Roller Support Weldment | 1.0 | EA | 1,800.00 |
| 4 | 1876701 | Roller Shaft | 1.0 | EA | 162.00 |

McElroy Manufacturing Parts List

Part Number: 1876301 Pivot Roller Support Assembly

| | | | | |
|----|----------|--------------------------------|--------|--------|
| 5 | 1876801 | Roller Shaft Weldment | 2.0 EA | 173.00 |
| 6 | 1877001 | Pipe Roller | 1.0 EA | 703.00 |
| 7 | MAB00002 | 1/4-20NCX1/2LG Hhcs | 2.0 EA | 0.18 |
| 8 | MBE00005 | 1/4 Reg Splt Lck Washer Stl PL | 2.0 EA | 0.10 |
| 9 | MCE00040 | 1DIA. X 3.50 Grip Detent Pin | 1.0 EA | 53.73 |
| 10 | MCH00027 | 3/16DIA X2LG Cotter Pin | 1.0 EA | 0.40 |
| 11 | MDM00371 | Sae 841 Bronze Bearing | 2.0 EA | 21.09 |
| 12 | 1877201 | Drop Foot Weldment | 1.0 EA | 277.00 |
| 13 | MCE00029 | 1/2DIA.X2.50 Grip Detent Pin | 1.0 EA | 23.71 |
| 14 | 1877403 | Polyhorse Caution Label | 1.0 EA | 35.49 |
| 18 | 8163243 | Patent Information Label | 1.0 EA | 0.00 |

Please visit <https://fusion.mcelroy.com/parts> to purchase parts or for more information.

