

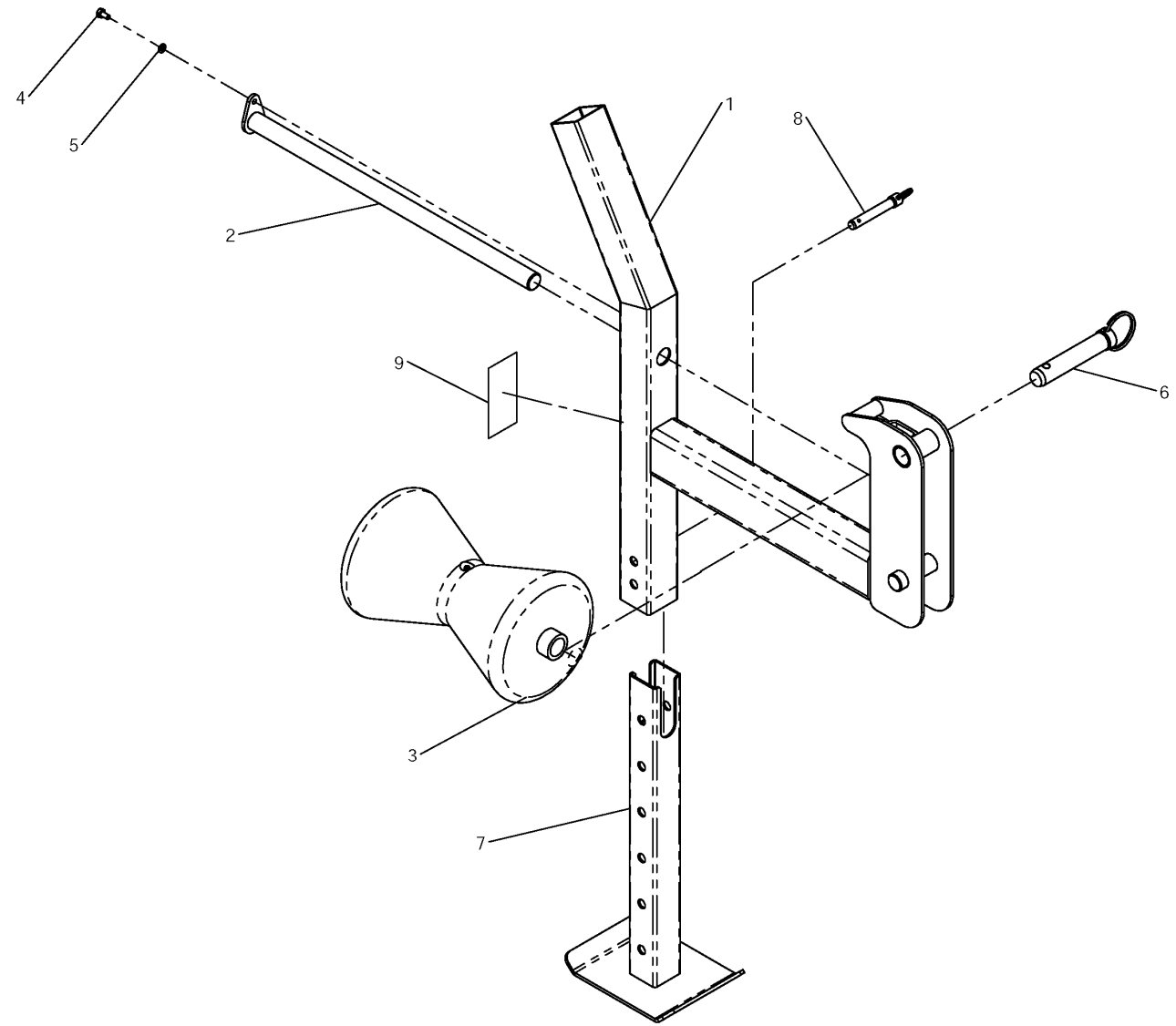


McElroy Manufacturing, Inc.  
The leader by design.  
Tulsa, Oklahoma U.S.A.

DRAWN: LBK    CHECK: BLM    APPRV'D: DWP    DATE: 7/26/06    SHT No: 2    REV No: B    PART No: 1876302

STATIONARY ROLLER SUPPORT ASSEMBLY

NOTE: THIS DRAWING AND THE INFORMATION CONTAINED THEREIN IS THE CONFIDENTIAL AND PROPRIETARY PROPERTY OF McElroy Manufacturing, Inc. THE DRAWING IS NOT TO BE REPRODUCED IN ANY MANNER, SUBMITTED TO OUTSIDE PARTIES FOR EXAMINATION, OR USED DIRECTLY OR INDIRECTLY FOR THE PURPOSES OTHER THAN THOSE FOR WHICH IT WAS FURNISHED WITHOUT WRITTEN PERMISSION OF McElroy Manufacturing, Inc.



### McElroy Manufacturing Parts List

**Part Number:** 1876302 Stationary Roller Support Assembly



**Stationary roller support assy**

**Part Number 1876302 Component List**

Item	Component	Description	Quantity	Unit	Price
1	1876601	Roller Support Weldment	1.0	EA	898.00
2	1876901	Roller Shaft Weldment	1.0	EA	268.00
3	1223301	Pipe Stand Roller Assy	1.0	EA	713.00
4	MAB00002	1/4-20NCX1/2LG Hhcs	1.0	EA	0.18

### McElroy Manufacturing Parts List

**Part Number:** 1876302 Stationary Roller Support Assembly

5	MBE00005	1/4 Reg Splt Lck Washer Stl PL	1.0 EA	0.10
6	MCE00040	1DIA. X 3.50 Grip Detent Pin	1.0 EA	53.73
7	1877201	Drop Foot Weldment	1.0 EA	277.00
8	MCE00029	1/2DIA.X2.50 Grip Detent Pin	1.0 EA	23.71
9	1877403	Polyhorse Caution Label	1.0 EA	35.49

Please visit <https://fusion.mcelroy.com/parts> to purchase parts or for more information.

