



McElroy Manufacturing, Inc.
The leader by design.
Tulsa, Oklahoma U.S.A.

DRAWN: MRP

CHECK: DWP

APPR'VD: JRP

DATE: 12/1/08

SHT No: 1A

REV No: B

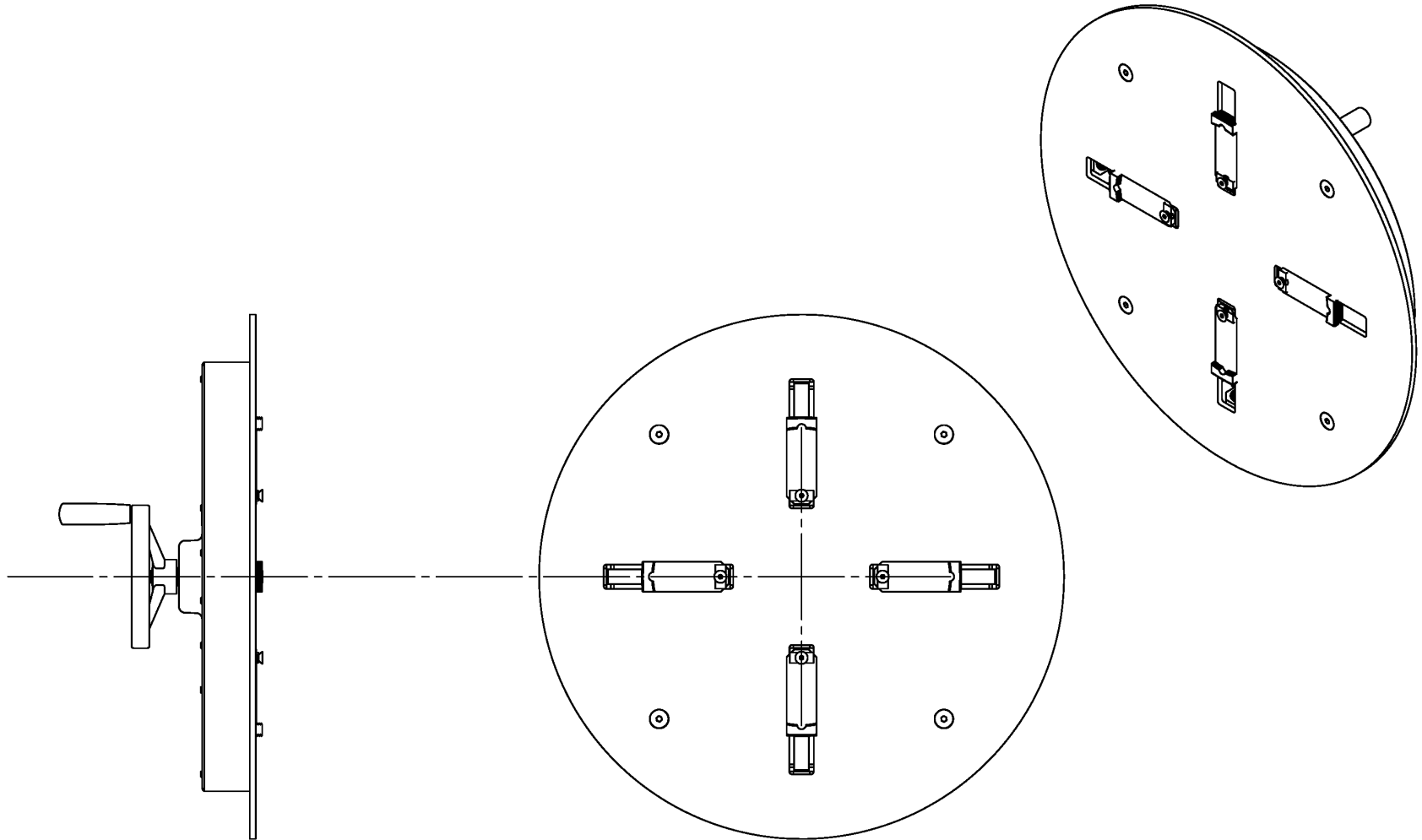
PART No: 1879101

#618 STUB END HOLDER ASSEMBLY

NOTE: THIS DRAWING AND THE INFORMATION CONTAINED THEREIN IS THE CONFIDENTIAL AND PROPRIETARY PROPERTY OF McElroy Manufacturing, Inc. THE DRAWING IS NOT TO BE REPRODUCED IN ANY MANNER, SUBMITTED TO OUTSIDE PARTIES FOR EXAMINATION, OR USED DIRECTLY OR INDIRECTLY FOR THE PURPOSES OTHER THAN THOSE FOR WHICH IT WAS FURNISHED WITHOUT WRITTEN PERMISSION OF McElroy Manufacturing, Inc.

NOTES:

1. INSTALL WITH MEDIUM STRENGTH THREADLOCKER
2. LIGHTLY APPLY HD GREASE TO GEARS AND EXPOSED AREAS OF LEADSCREWS. DO NOT FILL CAVITY.
3. INSTALL WITH ANTI-SEIZE





McElroy Manufacturing, Inc.

The leader by design.

Tulsa, Oklahoma U.S.A.

DRAWN: MRP

CHECK: DWP

APPRVD: JRP

DATE: 12/1/08

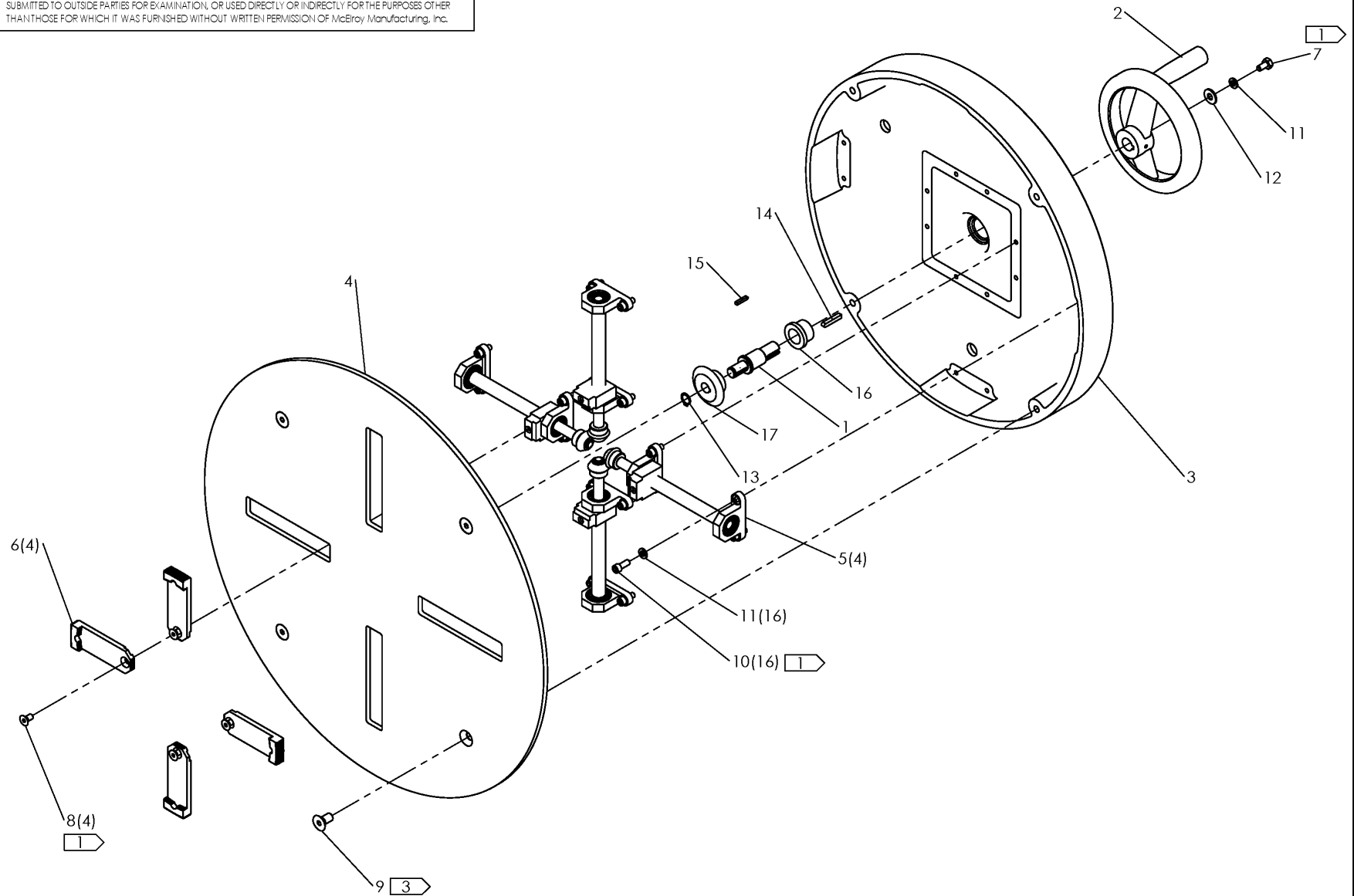
SHT No: 1B

REV No: B

PART No: 1879101

#618 STUB END HOLDER ASSEMBLY

NOTE: THIS DRAWING AND THE INFORMATION CONTAINED THEREIN IS THE CONFIDENTIAL AND PROPRIETARY PROPERTY OF McElroy Manufacturing, Inc. THE DRAWING IS NOT TO BE REPRODUCED IN ANY MANNER, SUBMITTED TO OUTSIDE PARTIES FOR EXAMINATION, OR USED DIRECTLY OR INDIRECTLY FOR THE PURPOSES OTHER THAN THOSE FOR WHICH IT WAS FURNISHED WITHOUT WRITTEN PERMISSION OF McElroy Manufacturing, Inc.



McElroy Manufacturing Parts List

Part Number: 1879101 618 Stub End Holder Assembly

Part Number 1879101 Component List

Item	Component	Description	Quantity	Unit	Price
1	886101	28 Stub End Holder Drive Shaft	1.0	EA	214.00
2	886201	28 Stub End Hldr Handwheel	1.0	EA	263.00
3	1879202	618 Stub End Holder Housing	1.0	EA	0.00
4	1879301	618 Stub End Holder Face Plate	1.0	EA	0.00
5	1879401	618 Stub End Holder Lead Screw Assembly	4.0	EA	1,474.00
6	1879601	412/618 Stub End Holder Jaw	4.0	EA	178.00
7	MAB00002	1/4-20NCX1/2LG Hhcs	1.0	EA	0.18
8	MAN00014	1/4-20NCX1/2LG Fhscs SS	4.0	EA	0.49
9	MAN00057	3/8-16NCX3/4LG Fhscs SS	4.0	EA	1.44
10	MAN00077	1/4-20NC X 5/8 LG Shcs SS	16.0	EA	0.20
11	MBE00005	1/4 Reg Splt Lck Washer Stl PL	17.0	EA	0.10
12	MBG00031	1/4 Fender Washer Stl PL	1.0	EA	0.31
13	MCB00001	SH-50 Ext Snap Ring	1.0	EA	0.40
14	MCK00066	3/16X3/16X3/4LG SQ Key, rnd End	1.0	EA	6.32
15	MCK00071	1/8X1/8X5/8LG Key, sq Ends	1.0	EA	35.08
16	MDM00401	Flange Bushing	1.0	EA	5.97
17	MDQ00021	Bevel Gear	1.0	EA	0.00

Please visit <https://fusion.mcelroy.com/parts> to purchase parts or for more information.