

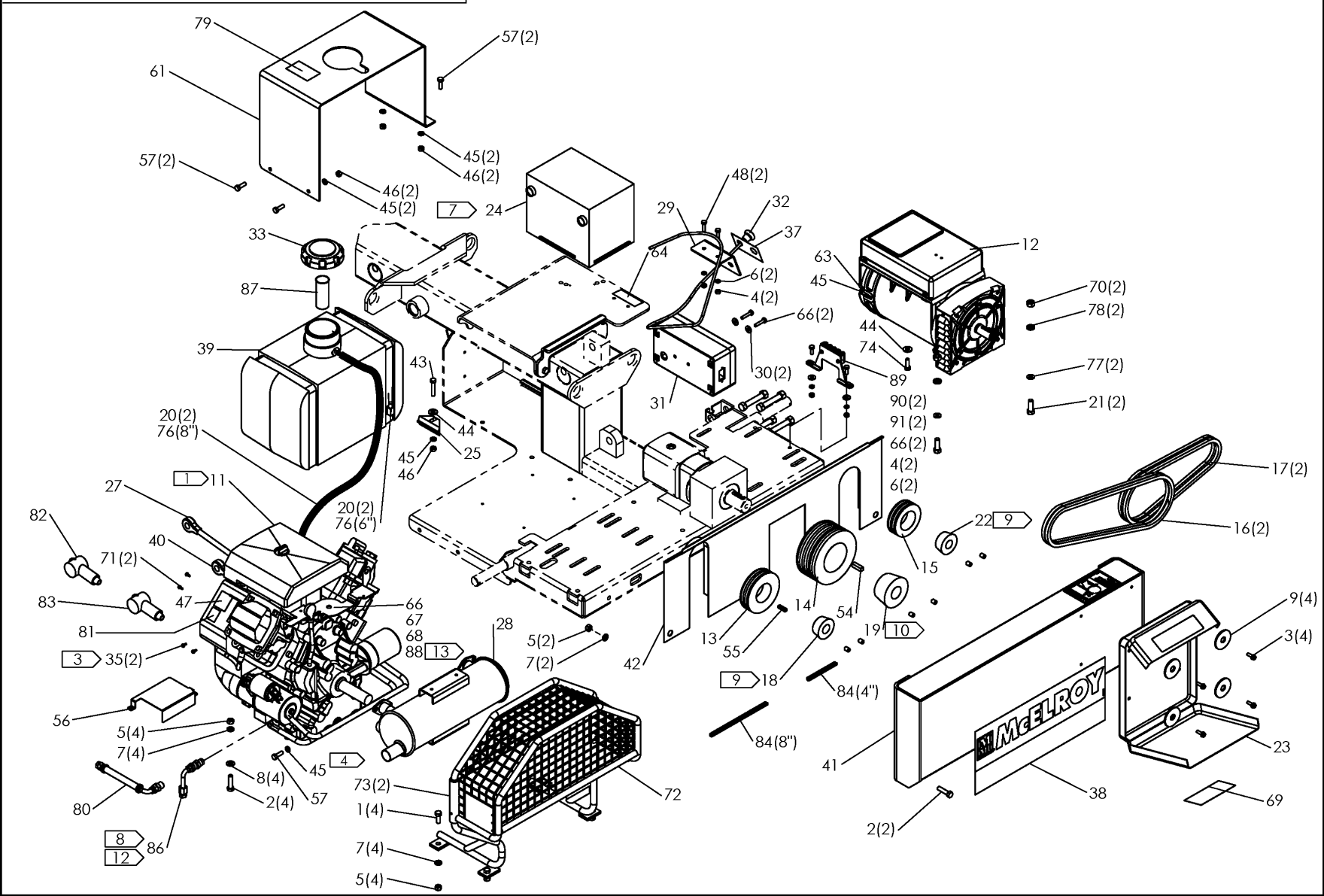


McElroy Manufacturing, Inc.
The leader by design.
Tulsa, Oklahoma U.S.A.

DRAWN: ERA CHECK: MJA APPRVD: MRP DATE: 12/23/10 SHT No: 1A REV No: S PART No: 1880001

#412/#618 GFCI GAS POWER ASSEMBLY

NOTE: THIS DRAWING AND THE INFORMATION CONTAINED THEREIN IS THE CONFIDENTIAL AND PROPRIETARY PROPERTY OF McElroy Manufacturing, Inc. THE DRAWING IS NOT TO BE REPRODUCED IN ANY MANNER, SUBMITTED TO OUTSIDE PARTIES FOR EXAMINATION, OR USED DIRECTLY OR INDIRECTLY FOR THE PURPOSES OTHER THAN THOSE FOR WHICH IT WAS FURNISHED WITHOUT WRITTEN PERMISSION OF McElroy Manufacturing, Inc.

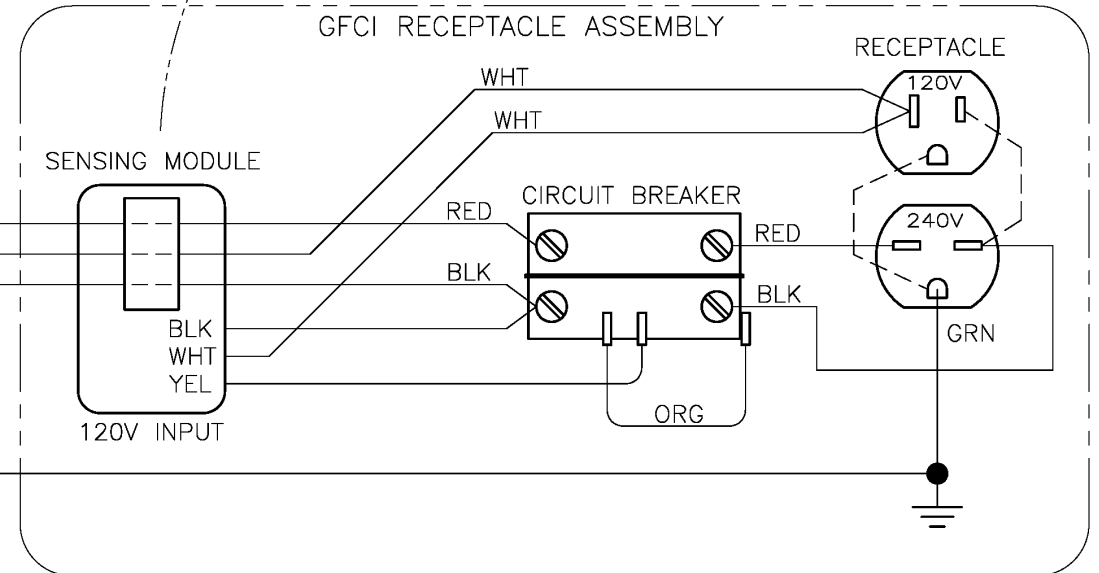
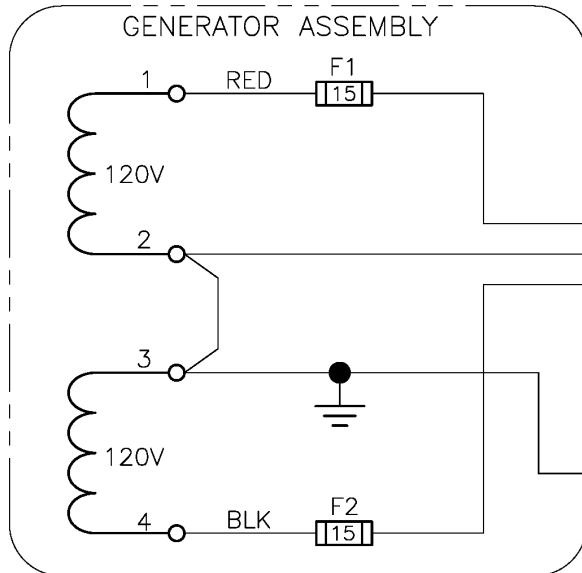
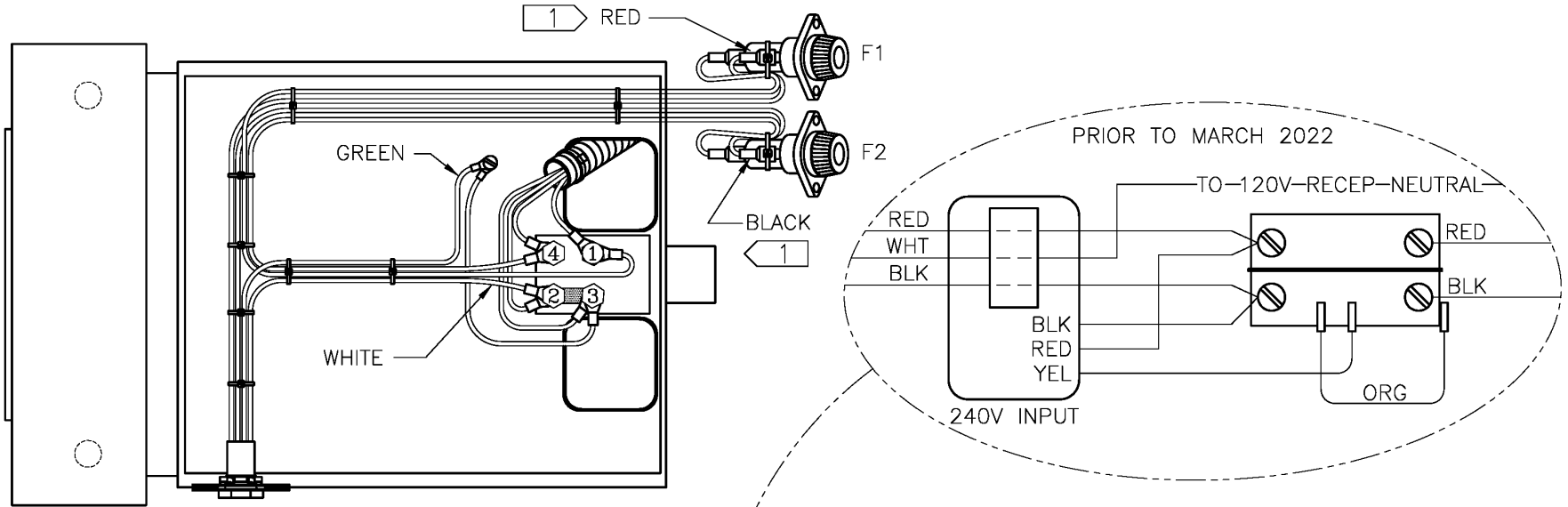




NOTE: THIS DRAWING AND THE INFORMATION CONTAINED THEREIN IS THE CONFIDENTIAL AND PROPRIETARY PROPERTY OF McElroy Manufacturing, Inc. THE DRAWING IS NOT TO BE REPRODUCED IN ANY MANNER, SUBMITTED OUTSIDE PARTIES FOR EXAMINATION, OR USED DIRECTLY OR INDIRECTLY FOR THE PURPOSES OTHER THAN THOSE FOR WHICH IT WAS FURNISHED WITHOUT WRITTEN PERMISSION OF McElroy Manufacturing, Inc.

NOTES:

1. SECURE FUSE WIRES TO FUSE HOLDERS WITH CABLE TIES AS SHOWN.
2. BUNDLE WIRES WITH CABLE TIES TO LIMIT VIBRATION.





McElroy Manufacturing, Inc.

The leader by design.

Tulsa, Oklahoma U.S.A.

DRAWN: ERA

CHECK: MJA

APPRVD: MRP

DATE: 12/23/10

SHT No: 1C

REV No: S

PART No: 1880001

#412/#618 GFCI GAS POWER ASSEMBLY

NOTE: THIS DRAWING AND THE INFORMATION CONTAINED THEREIN IS THE CONFIDENTIAL AND PROPRIETARY PROPERTY OF McElroy Manufacturing, Inc. THE DRAWING IS NOT TO BE REPRODUCED IN ANY MANNER, SUBMITTED TO OUTSIDE PARTIES FOR EXAMINATION, OR USED DIRECTLY OR INDIRECTLY FOR THE PURPOSES OTHER THAN THOSE FOR WHICH IT WAS FURNISHED WITHOUT WRITTEN PERMISSION OF McElroy Manufacturing, Inc.

NOTES:

1. ITEM 11 MDA00034 INCLUDES (1) MDA00164 VOLTAGE REGULATOR, (1) MDA00194 STARTER, (1) MDA00195 OIL FILTER, (1) MDA00294 OIL DIP STICK, (1) MDA00039 KEY SWITCH, (1) MDA00273 DUPLICATE KEY SET, (1) MDA00038 STARTER HARNESS, (1) MDA00043 FUEL FILTER, (1) MDA00044 AIR FILTER, (1) MDA00045 AIR PRECLEANER, (1) MDA00051 VALVE COVER KIT, (2) MDA00069 MUFFLER GASKETS, (4) MDA00070 MUFFLER NUTS, AND (1) MKH00087 DIGITAL TACH. & HOUR METER. THESE PARTS MAY BE ORDERED SEPARATELY.
2. FOR ENGINE ELECTRICAL HOOKUP SEE DRAWING 1856001.
3. USE TWO OF ITEM 35 (MAH00036) SCREW TO MOUNT ENGINE WIRING HARNESS PLUG TO ENGINE.
4. ATTACH BATTERY GROUND TO ENGINE BLOCK.
5. REMOVE COMMONING JUMPER TAB FROM RECEPTACLE.
6. ITEMS SHOWN IN PARENTHESES REFLECT QUANTITIES IN A LOCAL GROUP AND MAY NOT INDICATE TOTAL ASSEMBLY QUANTITIES.
7. FOR REPLACEMENT BATTERY, SEE LOCAL RETAILER.
8. APPLY TEFLON TAPE TO PIPE THREADS AND TIGHTEN TO 10FTLBS MAX ON ENGINE BLOCK.
9. TORQUE SET SCREWS TO 175 LB-IN.
10. TORQUE SET SCREWS TO 430 LB-IN.
- 11.
12. TORQUE PLUG TO 22 LB-FT
13. ON NEW ENGINE REMOVE ADJUSTING BOLT AND NUT FROM THROTTLE LINKAGE, DISCARD THE ADJUSTING BOLT, INSTALL THE PREVIOUSLY REMOVED NUT ONTO ITEM 88 (MAR00009), INSTALL MAR00009 INTO THE ADJUSTMENT BOLT HOLE OF THROTTLE LINKAGE UNTIL 1/2" OF BOLT REMAINS VISIBLE.

McElroy Manufacturing Parts List

Part Number: 1880001 412/618 GFCI Gas Power Assembly

Part Number 1880001 Component List

Item	Component	Description	Quantity	Unit	Price
1	MAB00064	3/8-16NCX1LG Hhcs	4.0	EA	0.51
2	MAB00066	3/8-16NCX1-1/2LG Hhcs	6.0	EA	0.66
3	MAH00109	1/4-20NCX3/4 Hwh TC Screw SS	4.0	EA	1.22
4	MBA00005	1/4-20NC Fnsh Hex Nut Stl PL	4.0	EA	0.32
5	MBA00007	3/8-16NC Fnsh Hex Nut Stl PL	10.0	EA	0.29
6	MBE00005	1/4 Reg Splt Lck Washer Stl PL	4.0	EA	0.10
7	MBE00007	3/8 Reg Splt Lck Wshr Stl PL	10.0	EA	0.12
8	MBF00007	3/8 TY 'a' Wide FL Wshr Stl PL	4.0	EA	0.11
9	MBG00031	1/4 Fender Washer Stl PL	4.0	EA	0.31
10	MLL00052	#14 Mtw/tew Wire, White	0.5	FT	0.00
11	MDA00034	19 HP Kohler Motor	1.0	EA	4,299.00
12	T1217801	412/618/TracStar 28 GFCI Generator Assembly	1.0	EA	2,053.00
13	MDD00005	3V,2GR,4.50 Od,tl, V-grv Shv	1.0	EA	51.63
14	MDD00013	3V,4GR,6.00 Od,tl, V-grv Shv	1.0	EA	145.00
15	MDD00054	3V,2GR,3.65 Od,tl, V-grv Shv	1.0	EA	96.94
16	MDE00010	3VX-425 V-belt	2.0	EA	23.75
17	MDE00029	3VX-335 V-belt	2.0	EA	22.03
18	MDI00001	#1610, 1-1/8B, TL Hub	1.0	EA	40.04
19	MDI00008	#2517, 1-1/2B, TL Hub	1.0	EA	62.17
20	MHA00012	1/4 Tube Clamp	4.0	EA	3.45
21	MAB00099	7/16-14NCX1-1/4LG Hhcs	2.0	EA	0.63
22	MDI00018	#1610,24MM B TI Hub	1.0	EA	30.56
23	MJQ00260	Std 8-1/2X11 Literature Compt	1.0	EA	70.72
24	MKG00014	12V Battery	1.0	EA	0.00
25	MLN00399	Battery Toe Clamp	1.0	EA	9.65
26	MLN00400	Battery Terminal Cover Set (Effective to 10/6/11)	1.0	EA	12.77
27	1857501	12/18 Red Battery Cable Mod	1.0	EA	83.55
28	MDA00037	Muffler for MDA00034	1.0	EA	540.00
29	1824101	Start Switch Panel	1.0	EA	79.26
30	MLN00175	1/4 X 1/2OD Seal Washer	2.0	EA	0.39
31	1879801	Obsolete & Replaced by 1879802 (Effective to 4/10/22)	1.0	EA	0.00
31	1879802	412/618 GFCI Receptacle Assembly	1.0	EA	1,665.00
32	MDA00035	Coated Choke Cable	1.0	EA	126.00
33	MDA00184	3.5" Carb Ratcheting Cap	1.0	EA	33.72
34	MBH00087	Unthrd Female Aluminum Spacer (Effective to 10/6/11)	2.0	EA	7.87
35	MAH00036	#6-32NCX3/8LG Hwh TC Scr	2.0	EA	0.29
36	MAB00005	1/4-20NCX1-1/4LG Hhcs (Effective to 10/6/11)	1.0	EA	0.31
37	816348	Motor On/off/start/choke Label	1.0	EA	11.46
38	8163121	McElroy Label	1.0	EA	33.15
39	1878801	5 Gallon Carb Fuel Tank	1.0	EA	372.00
40	1857502	12/18 Black Battery Cable Mod	1.0	EA	69.39
41	1855201	Gas Belt Guard Weldment	1.0	EA	577.00
42	1855202	Kohler Cmd Frt Belt Guard Wld	1.0	EA	281.00
43	MAB00036	5/16-18NCX1-3/4LG Hhcs	1.0	EA	0.57
44	MBF00006	5/16TY 'a' Wide FL Wshr Stl PL	2.0	EA	0.11
45	MBE00006	5/16 Reg Splt Lck Wshr Stl PL	7.0	EA	0.11
46	MBA00006	5/16-18NC Fnsh Hex Nut Stl PL	5.0	EA	0.33
47	816349	Oil Type Notice Label	1.0	EA	8.91
48	MAB00004	1/4-20NCX1LG Hhcs	2.0	EA	0.32
49	MAC00058	1/4-20NCX1-3/4LG Shcs PL (Effective to 10/6/11)	1.0	EA	1.07
54	MCK00053	3/8X3/8X1-1/4LG Key,sq Ends	1.0	EA	3.84
55	MCK00038	1/4X1/4X1LG Key,sq Ends	1.0	EA	3.01

McElroy Manufacturing Parts List

Part Number: 1880001 412/618 GFCI Gas Power Assembly

56	1824501	Eng Linkage Cover W/ Hardware (Effective to 10/10/13)	1.0 EA	34.38
56	1824502	Engine Linkage Cover	1.0 EA	23.39
57	MAB00033	5/16-18NCX1LG Hhcs	5.0 EA	0.42
58	MBG00057	1/4" Ext Tooth Lock Washer	2.0 EA	0.11
59	MAL00007	1/4-20NCX3/4LG Hwh TF Screw	2.0 EA	0.49
60	MLK00077	1/2 Strain Relief	1.0 EA	20.59
61	1871501	Fuel Tank Cover	1.0 EA	156.00
63	MBA00026	5/16-24NF Fnsh Hex Nut Stl PL	1.0 EA	0.31
64	816303	Engine Prestart Notice Label	1.0 EA	10.69
66	MAB00003	1/4-20NCX3/4LG Hhcs	5.0 EA	0.31
67	MBB00006	5/16-18NC Fnsh Jam Nut Stlpl	1.0 EA	0.00
68	MBC00005	1/4-20NC Fnsh Hex Nyl Lck Nut	1.0 EA	0.39
69	816342	Safety Instr Manual Label	1.0 EA	3.16
70	MBA00008	7/16-14NC Fnsh Hex Nut Stl PL	2.0 EA	0.39
71	MDC00050	Panel Screw MDC00027/MDC00029	2.0 EA	0.00
72	1824401	Muffler Guard Assembly	1.0 EA	527.00
73	MCH00001	1/8DIAX1LG Cotter Pin (Effective to 3/31/20)	2.0 EA	0.12
73	MCH00002	1/8DIAX1-1/2LG Cotter Pin	2.0 EA	0.12
74	MAB00157	5/16-24NFX1LG Hhcs	1.0 EA	0.50
76	MHA00025	Fuelhose 1/4ID(6.3MM) SAE30R7	1.166 FT	5.25
77	MBF00008	7/16TY 'a' Wide FL Wshr Stl PL	2.0 EA	0.12
78	MBE00008	7/16 Reg Splt Lck Wshr Stl PL	2.0 EA	0.12
79	T804301	Unleaded Fuel Label	1.0 EA	5.34
80	1866901	Engine Drain Hose Assembly with Fittings (Effective to 3/30/17)	1.0 EA	0.00
81	8163190	Epa Evap Label	1.0 EA	0.00
82	MLN00488	Red Terminal Cover	1.0 EA	8.22
83	MLN00489	Black Terminal Cover	1.0 EA	8.93
84	MDL00234	Trim Strip (Effective 7/25/13 to 3/10/14)	1.0 FT	0.00
84	MDL00242	1/4" Edge Trim	1.0 FT	2.28
85	MAL00022	M5-.8X16MMLG Thrd Form Scr Znc	2.0 EA	0.00
86	1880801	Engine Drain Fitting Assy	1.0 EA	69.13
87	MDA00306	Inlet Strainer for 1878801	1.0 EA	30.56
88	MAR00009	M4-.7X16MMLG Hhcs	1.0 EA	0.00
89	T5042903	Spare Fuse Holder Assy	1.0 EA	272.00
90	MLQ00078	15 Amp Non-rejection Fuse	2.0 EA	15.90
91	MBF00005	1/4 TY 'a' Wide FL Wshr Stl PL	2.0 EA	0.11
100	MFB00052	6MJIC Plug (Effective 3/31/17 to 6/21/17)	1.0 EA	0.00
101	MFB00192	6MPT/6FSJIC Adapter (Effective 3/31/17 to 6/21/17)	1.0 EA	0.00
102	MFB00225	6MJIC/6FSJIC Long Elbow (Effective 3/31/17 to 6/21/17)	1.0 EA	0.00

Please visit <https://fusion.mcelroy.com/parts> to purchase parts or for more information.