



McElroy Manufacturing, Inc.

The leader by design.

Tulsa, Oklahoma U.S.A.

DRAWN: TGW

CHECK: TLW

APPRVD: SWB

DATE: 11/18/98

SHT No: 19

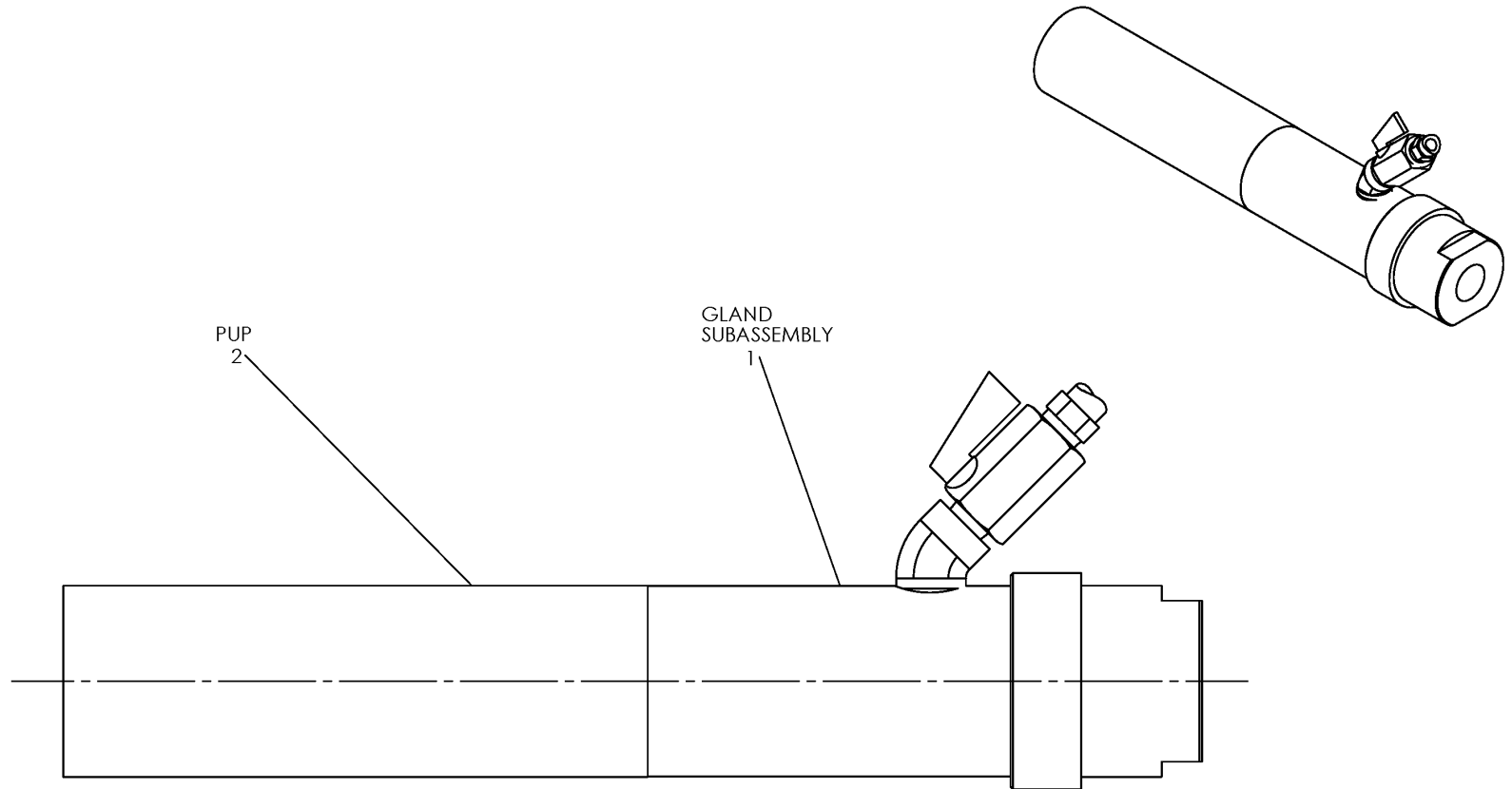
REV No: E

PART No: 22120300

2" HOT TAP TOOL GLAND FITTING ASSEMBLIES

NOTE: THIS DRAWING AND THE INFORMATION CONTAINED THEREIN IS THE CONFIDENTIAL AND PROPRIETARY PROPERTY OF McElroy Manufacturing, Inc. THE DRAWING IS NOT TO BE REPRODUCED IN ANY MANNER, SUBMITTED TO OUTSIDE PARTIES FOR EXAMINATION, OR USED DIRECTLY OR INDIRECTLY FOR THE PURPOSES OTHER THAN THOSE FOR WHICH IT WAS FURNISHED WITHOUT WRITTEN PERMISSION OF McElroy Manufacturing, Inc.

NOTES:
1. MARK FUSION JOINT WITH 'MMI' STAMP WHILE COOLING.



UNLESS NOTED OTHERWISE (3) P.L.C. DIMS .XXX = ±0.005"
 (2) P.L.C. DIMS .XX = ±0.010"
 FRACTIONAL DIMS = ±1/32"

ANGULAR DIMS = ±1/4°
 REMOVE ALL BURRS
 BREAK ALL SHARP EDGES

STAMP OR ETCH PM
 ON ALL DETAIL PARTS

			SEE TABULATION
MMI NUMBER	ITEM	QTY.	SIZE AND DESCRIPTION



McElroy Manufacturing Parts List

Part Number: 22120302 2IPS Medium Density 2406/2708 Hot Tapping Tool Gland Fitting Assembly

Part Number 22120302 Component List

Item	Component	Description	Quantity	Unit	Price
1	225007	Hot Tapping Tool Gland Sub-Assembly	1.0	EA	980.00
2	222502	2IPS MD 2406/2708 Pup (Effective 1/31/89 to 4/4/17)	1.0	EA	0.00
2	MMA00022	2SDR11 MD 2406/2708	1.0	EA	0.00

Please visit <https://fusion.mcelroy.com/parts> to purchase parts or for more information.

