



McElroy Manufacturing, Inc.
The leader by design.
Tulsa, Oklahoma U.S.A.

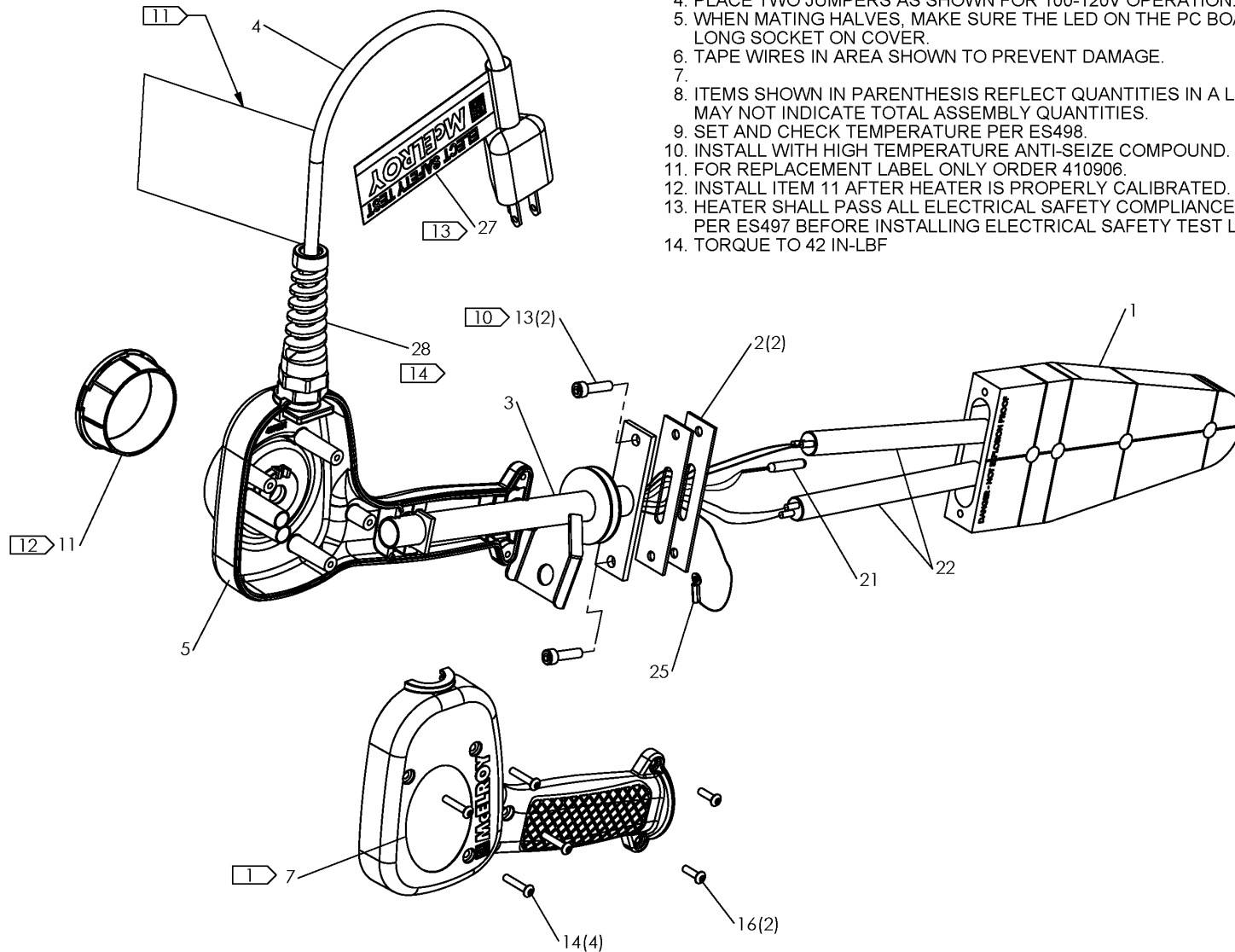
DRAWN: ERA	CHECK: PJD	APPRVD: JAL	DATE: 03/14/12	SHT No: 1A	REV No: H	PART No: 238501
------------	------------	-------------	----------------	------------	-----------	-----------------

16mm-63mm SOCKET HEATER ASSEMBLY 100-120V, 50/60 Hz, 1 Ph

NOTE: THIS DRAWING AND THE INFORMATION CONTAINED THEREIN IS THE CONFIDENTIAL AND PROPRIETARY PROPERTY OF McElroy Manufacturing, Inc. THE DRAWING IS NOT TO BE REPRODUCED IN ANY MANNER, SUBMITTED TO OUTSIDE PARTIES FOR EXAMINATION, OR USED DIRECTLY OR INDIRECTLY FOR THE PURPOSES OTHER THAN THOSE FOR WHICH IT WAS FURNISHED WITHOUT WRITTEN PERMISSION OF McElroy Manufacturing, Inc.

NOTES:

1. ITEM 7 SHOULD BE ORIENTED THE SAME AS THE MMI LOGO.
2. ITEM 6 MUST BE ORIENTED SO THE NOTCH ENGAGES THE KEY ON ITEM 5.
3. RING TERMINAL MUST BE ORIENTED AS SHOWN.
4. PLACE TWO JUMPERS AS SHOWN FOR 100-120V OPERATION.
5. WHEN MATING HALVES, MAKE SURE THE LED ON THE PC BOARD FITS INTO LONG SOCKET ON COVER.
6. TAPE WIRES IN AREA SHOWN TO PREVENT DAMAGE.
- 7.
8. ITEMS SHOWN IN PARENTHESIS REFLECT QUANTITIES IN A LOCAL GROUP AND MAY NOT INDICATE TOTAL ASSEMBLY QUANTITIES.
9. SET AND CHECK TEMPERATURE PER ES498.
10. INSTALL WITH HIGH TEMPERATURE ANTI-SEIZE COMPOUND.
11. FOR REPLACEMENT LABEL ONLY ORDER 410906.
12. INSTALL ITEM 11 AFTER HEATER IS PROPERLY CALIBRATED.
13. HEATER SHALL PASS ALL ELECTRICAL SAFETY COMPLIANCE TESTS PER ES497 BEFORE INSTALLING ELECTRICAL SAFETY TEST LABEL.
14. TORQUE TO 42 IN-LBF





McElroy Manufacturing, Inc.

The leader by design.

Tulsa, Oklahoma U.S.A.

DRAWN: ERA

CHECK: PJD

APPRVD: JAL

DATE: 03/14/12

SHT No: 1B

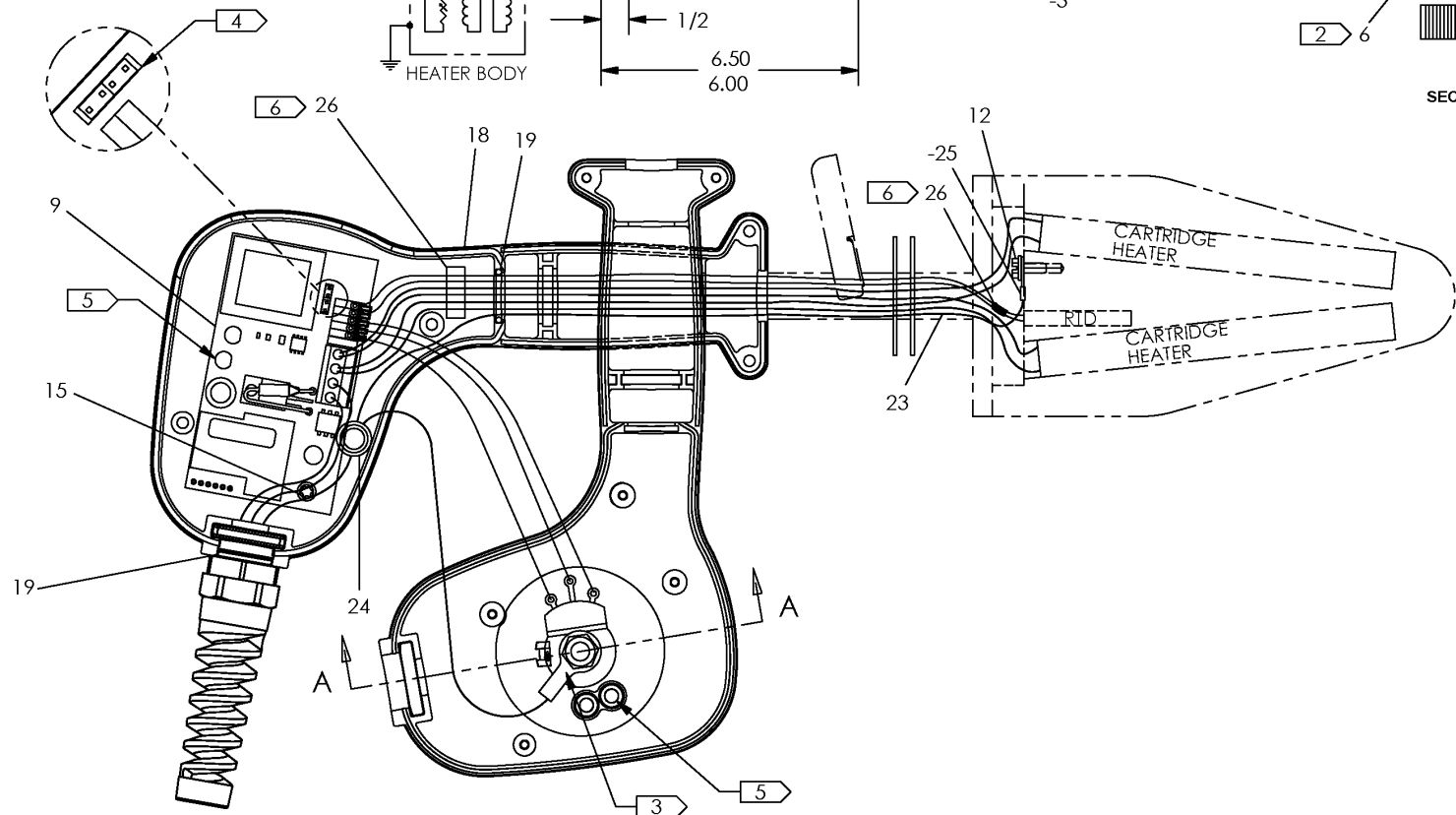
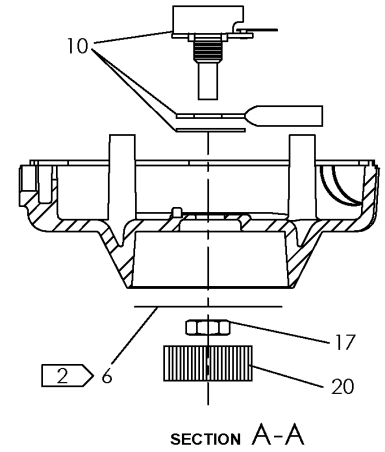
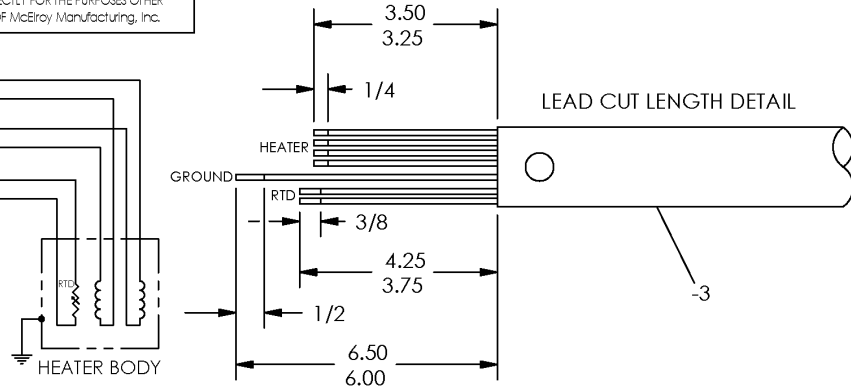
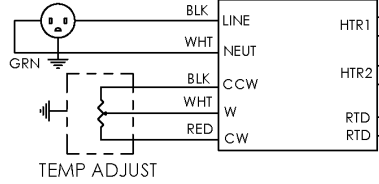
REV No: H

PART No: 238501

16mm-63mm SOCKET HEATER ASSEMBLY 100-120V, 50/60 Hz, 1 Ph

NOTE: THIS DRAWING AND THE INFORMATION CONTAINED THEREIN IS THE CONFIDENTIAL AND PROPRIETARY PROPERTY OF McElroy Manufacturing, Inc. THE DRAWING IS NOT TO BE REPRODUCED IN ANY MANNER, SUBMITTED TO OUTSIDE PARTIES FOR EXAMINATION, OR USED DIRECTLY OR INDIRECTLY FOR THE PURPOSES OTHER THAN THOSE FOR WHICH IT WAS FURNISHED WITHOUT WRITTEN PERMISSION OF McElroy Manufacturing, Inc.

120 VAC PLUG



McElroy Manufacturing Parts List

Part Number: 238501 Obsolete & Replaced by 253101 (16mm-63mm 120V Socket Heater Assembly)



16mm-63mm 120V Socket Heater Assembly

Part Number 238501 Component List

Item	Component	Description	Quantity	Unit	Price
1	238601	16-63MM Socket Heater Body	1.0	EA	156.00
2	238701	Cover Plate Gasket	2.0	EA	4.12
3	238801	Heater Handle Wld	1.0	EA	96.09
4	434201	Replaced by A434202 (Effective to 4/26/17)	1.0	EA	0.00
4	434202	13AMP/120V Power Cord	1.0	EA	45.10
5	437203	Small Htr Handle/enclosure	1.0	EA	31.57
6	816382	Temperature Scale Label (Effective to 9/17/12)	1.0	EA	7.33
6	8163207	Temperature Set Label	1.0	EA	8.93
7	8163205	Model 238501 Part No. Label	1.0	EA	6.78
8	A424901	14 MultiMc/Socket Fusion Heater Screw&Driver Kit	1.0	EA	50.32
9	T5030001	Heater Control Pcb Assy	1.0	EA	156.00
10	T5030002	Potentiometer Assy	1.0	EA	15.05
11	T5030104	Heater Control Knob Cover	1.0	EA	6.15
12	MAH00036	#6-32NCX3/8LG Hwh TC Scr (Effective to 6/13/17)	1.0	EA	0.29
12	MAL00024	#8-32NCX1/4LG Hwhsms SS	1.0	EA	0.34
13	MAH00046	#10-24NCX1/2LG Shcs SS (Effective to 11/7/13)	2.0	EA	0.39
13	MAC00038	#10-24NCX3/4LG Shcs SS	2.0	EA	0.50
14	MAL00010	#6-19X3/4LG Torx T15 Pan Hdscr	4.0	EA	0.56
15	MAL00011	#6-19X1/4LG Torx T15 Pan Hdscr	1.0	EA	0.66

McElroy Manufacturing Parts List

Part Number: 238501 Obsolete & Replaced by 253101 (16mm-63mm 120V Socket Heater Assembly)

16	MAL00013	#6-19X1/2LG Torx T15 Pan Hdscr	2.0 EA	0.50
17	MBA00067	3/8-32NEF X 0.22 X 1/4 Sealnut	1.0 EA	6.22
18	MDL00243	.070DIA Buna-n O-ring Stock	1.5 FT	1.03
19	MDL00248	O-ring	2.0 EA	0.30
20	MJJ00023	Control Knob	1.0 EA	5.24
21	MKI00003	1X3/16 316SS 100OHM Plat Rtd	1.0 EA	64.04
22	MLD00089	120V,350W,1/2X5 Crtg Heater	2.0 EA	68.37
23	MLL00004	#18 Type Tggt Elec Wire (Effective to 8/29/16)	1.0 FT	2.60
23	MLL00214	#18 Type Tggt Wire, Green/yel	1.0 FT	1.78
24	MLM00002	2/16-2/22 Closed End Splice	1.0 EA	0.80
25	MLM00004	18-22 X #6 Ring Term, Non-insu (Effective to 6/13/17)	1.0 EA	1.03
25	MLM00372	18-22 X #8 Hi-temp Ring Term	1.0 EA	1.27
26	MLN00219	Fiberglass Tape (per Ft)	0.666 FT	0.56
27	8163210	Electrical Safety Test Label	1.0 EA	0.00
28	434302	Power Cord Strain Relief	1.0 EA	14.35

Please visit <https://fusion.mcelroy.com/parts> to purchase parts or for more information.

