



McElroy Manufacturing, Inc.
The leader by design.
Tulsa, Oklahoma U.S.A.

DRAWN: TGW

CHECK: TLW

APPRV'D: SWB

DATE: 11/2/98

DWG No:

SHT No:

REV No: F

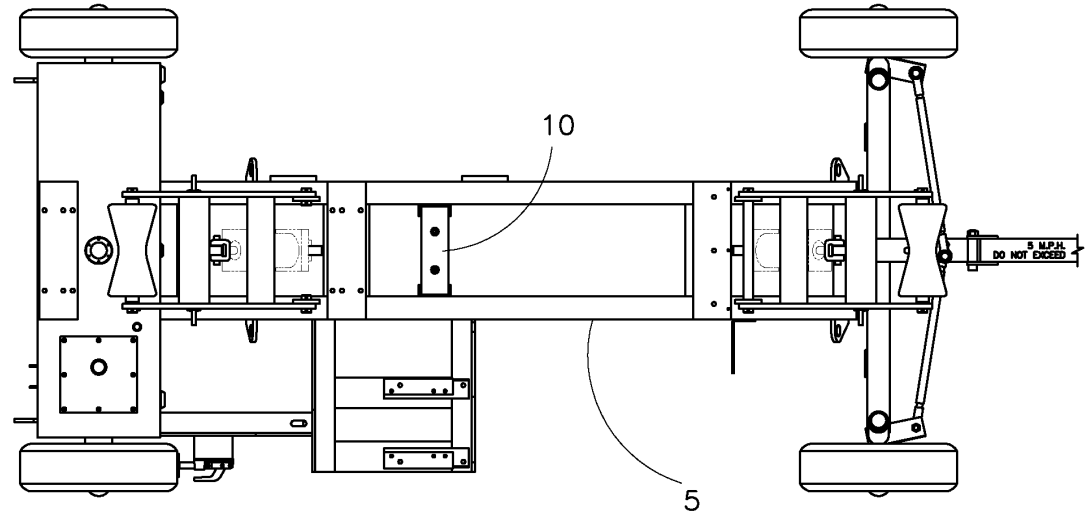
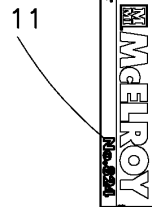
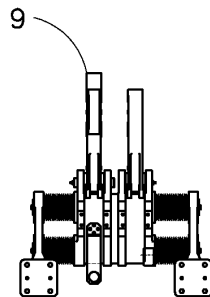
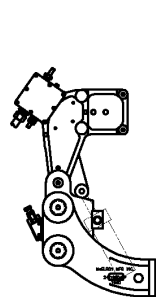
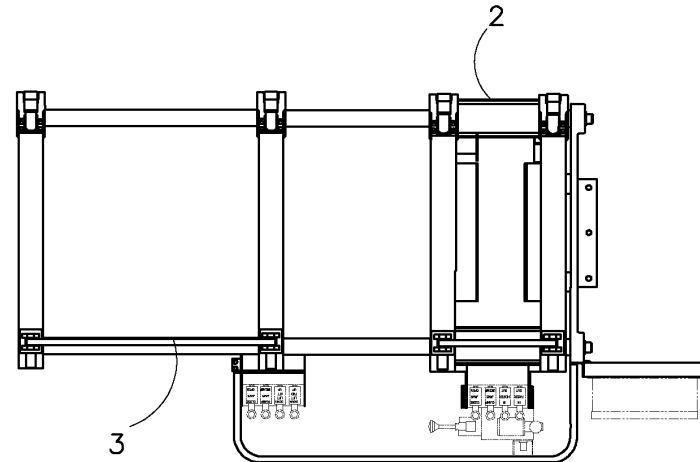
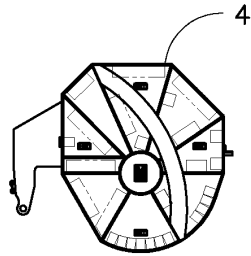
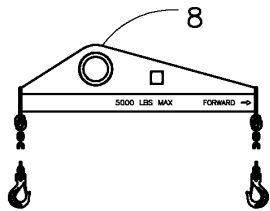
PART No:

#824 FUSION MACHINE GROUPING FOR 2400700 ASSEMBLIES

CAD No: _ASSY24

NOTE: THIS DRAWING AND THE INFORMATION CONTAINED THEREIN IS THE CONFIDENTIAL AND PROPRIETARY PROPERTY OF McElroy Manufacturing, Inc. THE DRAWING IS NOT TO BE REPRODUCED IN ANY MANNER, SUBMITTED TO OUTSIDE PARTIES FOR EXAMINATION, OR USED DIRECTLY OR INDIRECTLY FOR THE PURPOSES OTHER THAN THOSE FOR WHICH IT WAS FURNISHED WITHOUT WRITTEN PERMISSION OF McElroy Manufacturing, Inc.

- 1 - 2402402 #824 ELECTRICAL POWER ASSEMBLY 220-240V, 50/60Hz, 3Ph (NOT SHOWN)
- 1 - 2402403 #824 ELECTRICAL POWER ASSEMBLY 415V, 50Hz, 3Ph (NOT SHOWN)
- 2 - 3630001 #824/#1236 LOW FORCE CYLINDER ASSEMBLY SET (XHV)
- 2 - 3630002 #824/#1236 MEDIUM FORCE CYLINDER ASSEMBLY SET (HV)
- 2 - 3630003 #824/#1236 HIGH FORCE CYLINDER ASSEMBLY SET (STD)
- 3 - 2402901 #824 JAW SET ASSEMBLY
- 4 - 2427401 #824 HEATER PANEL & FRAME ASSEMBLY
- 5 - 3631301 #824/#1236 ROLLING CHASSIS ASSEMBLY
- 6 - 2400801 #824 HYDRAULIC SCHEMATIC (NOT SHOWN)
- 7 - 2400802 #824 PLUMBING SCHEMATIC (NOT SHOWN)
- 8 - 3618001 #824/#1236 SPREADER BAR ASSEMBLY
- 9 - 2403001 #824 INDEXING CARRIAGE ASSEMBLY
- 10 - 2463901 #824 HEATER SUPPORT BLOCK ASSEMBLY
- 11 - 8163126 No. 824 LABEL



McElroy Manufacturing Parts List

Part Number: 2400702 No. 824 MF 220-240V,50/60Hz,3Ph Fusion Machine Assembly

Part Number 2400702 Component List

Item	Component	Description	Quantity	Unit	Price
1	2402402	824 Electrical Power Assembly 220-240V, 50/60Hz, 3Ph	1.0	EA	0.00
2	3630002	824 / 1236 MF Cylinder Assembly Set	1.0	S2	0.00
3	2402901	824 Jaw Set Assembly	1.0	EA	0.00
4	2427401	24 Heater Panel & Frame Assembly	1.0	EA	6,852.00
5	3631301	824 / 1236 Rolling Chassis Assembly	1.0	EA	0.00
6	2400801	824 Hydraulic Schematic	1.0	EA	0.00
7	2400802	824 Plumbing Schematic	1.0	EA	0.00
8	3618001	824 / 1236 Spreader Bar Assembly	1.0	EA	2,539.00
9	2403001	824 Indexing Carriage Assembly	1.0	EA	15,957.00
10	2463901	24 Heater Support Block Assy	1.0	EA	0.00
11	8163126	824 Label	1.0	EA	30.78

Please visit <https://fusion.mcelroy.com/parts> to purchase parts or for more information.