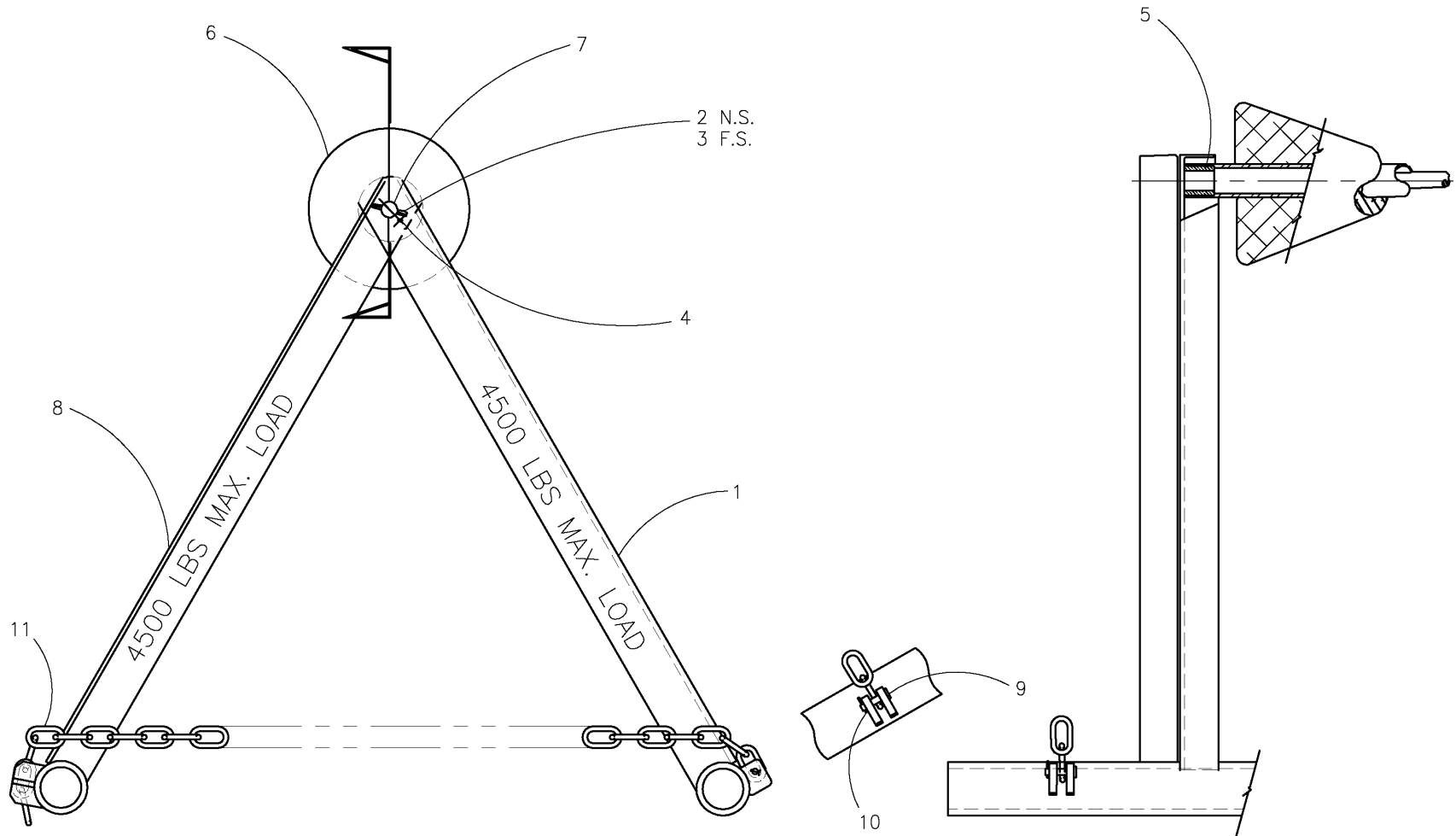




McElroy Manufacturing, Inc.
 The leader by design.
 Tulsa, Oklahoma U.S.A.

DRAWN: TLW	CHECK: RLE	APPRV'D: JCC	DATE: 4/03/96	DWG No: 2429100	SHT No: 1	REV No: D	PART No: 2429101
#824 PIPE STAND ASSEMBLY							CAD No: 2429101

NOTE: THIS DRAWING AND THE INFORMATION CONTAINED THEREIN IS THE CONFIDENTIAL AND PROPRIETARY PROPERTY OF McElroy Manufacturing, Inc. THE DRAWING IS NOT TO BE REPRODUCED IN ANY MANNER, SUBMITTED OUTSIDE PARTIES FOR EXAMINATION, OR USED DIRECTLY OR INDIRECTLY FOR THE PURPOSES OTHER THAN THOSE FOR WHICH IT WAS FURNISHED WITHOUT WRITTEN PERMISSION OF McElroy Manufacturing, Inc.



McElroy Manufacturing Parts List

Part Number: 2429101 824 Pipe Stand Assembly

Part Number 2429101 Component List

Item	Component	Description	Quantity	Unit	Price
1	2429201	Pipe Stand Inner Leg	1.0	EA	913.00
2	MCH00002	1/8DIA X1-1/2LG Cotter Pin	1.0	EA	0.12
3	MCG00031	1/4X2LG Roll Pin	1.0	EA	1.08
4	MCG00032	1/4DIA X3/4LG Roll Pin	1.0	EA	0.40
5	MDM00018	Flange Bushing	2.0	EA	24.67
6	2423901	Pipe Stand Roller Assy	1.0	EA	1,231.00
7	2423401	Pipe Stand Shaft	1.0	EA	288.00
8	2429301	Pipe Stand Outer Leg	1.0	EA	1,159.00
9	MCF00019	1/2DIA X2-11/32 Grip Clv Pin PL	2.0	EA	2.61
10	MCH00001	1/8DIA X1LG Cotter Pin	2.0	EA	0.12
11	3638801	Chain Modification	2.0	EA	76.56

Please visit <https://fusion.mcelroy.com/parts> to purchase parts or for more information.

