



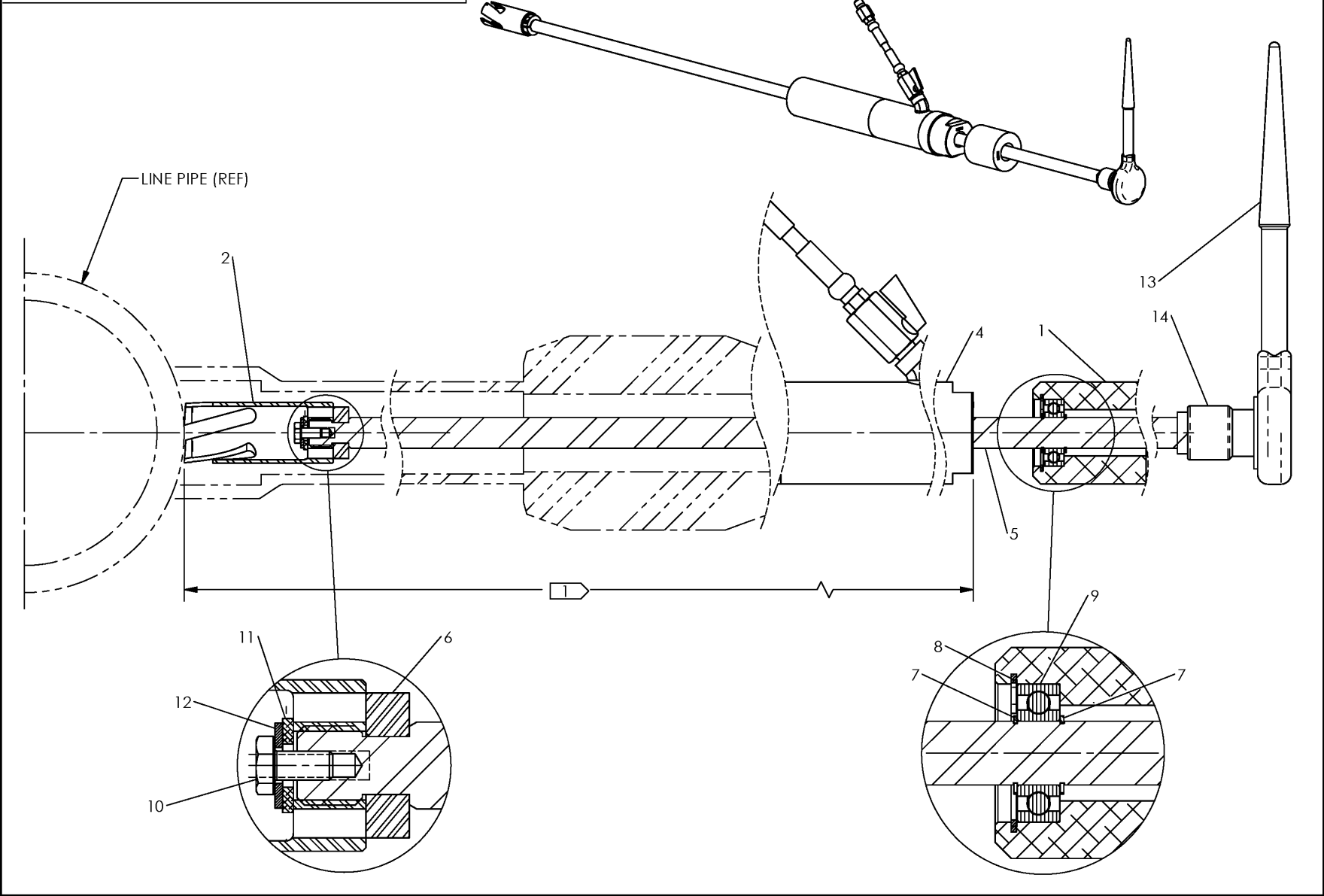
McElroy Manufacturing, Inc.  
The leader by design.  
Tulsa, Oklahoma U.S.A.

DRAWN: MRH    CHECK: ERA    APPR'VD: BWJ    DATE: 8/31/17    SHT No: 1    REV No: B    PART No: 247201

63mm HOT TAPPING TOOL ASSEMBLY

NOTE: THIS DRAWING AND THE INFORMATION CONTAINED THEREIN IS THE CONFIDENTIAL AND PROPRIETARY PROPERTY OF McElroy Manufacturing, Inc. THE DRAWING IS NOT TO BE REPRODUCED IN ANY MANNER, SUBMITTED TO OUTSIDE PARTIES FOR EXAMINATION, OR USED DIRECTLY OR INDIRECTLY FOR THE PURPOSES OTHER THAN THOSE FOR WHICH IT WAS FURNISHED WITHOUT WRITTEN PERMISSION OF McElroy Manufacturing, Inc.

NOTES:  
1. SEE OPERATORS MANUAL (224901) FOR MAKE UP LENGTH.



## McElroy Manufacturing Parts List

**Part Number:** 247201 63mm Hot Tapping Tool Assembly

### Part Number 247201 Component List

Item	Component	Description	Quantity	Unit	Price
1	220701	Htt Bearing Housing (Effective to 10/1/17)	1.0	EA	213.00
1	250801	63MM Htt Bearing Housing	1.0	EA	233.00
2	221504	3-5/8L X 1-1/2D Toothed Cutter	1.0	EA	1,100.00
3	226101	2,3&4 Htt Box W/foam Inserts (Effective to 2/12/18)	1.0	EA	603.00
3	251601	Htt Box W/foam Inserts	1.0	EA	682.00
4	249801	63mm HTT Gland Fitting Assembly	1.0	EA	1,302.00
5	251101	63MM Htt Shaft	1.0	EA	1,072.00
6	MJQ00056	1/2" Bore Clamp Collar	1.0	EA	52.76
7	MCB00003	Ext Snap Ring	2.0	EA	0.43
8	MCA00007	1.625 Int Snap Ring	1.0	EA	1.45
9	MDM00028	Ball Bearing	1.0	EA	43.79
10	MAH00091	1/4-20NCX1/2LG Hhcs	1.0	EA	1.11
11	MBG00025	3/8 Thrust Washer	1.0	EA	6.32
12	MBF00005	1/4 TY 'a' Wide FL Wshr Stil PL	1.0	EA	0.11
13	MJL00005	1/2 Drive Ratchet Wrench	1.0	EA	240.00
14	MJL00006	7/8 Socket X 1/2 Drive	1.0	EA	39.31

Please visit <https://fusion.mcelroy.com/parts> to purchase parts or for more information.