



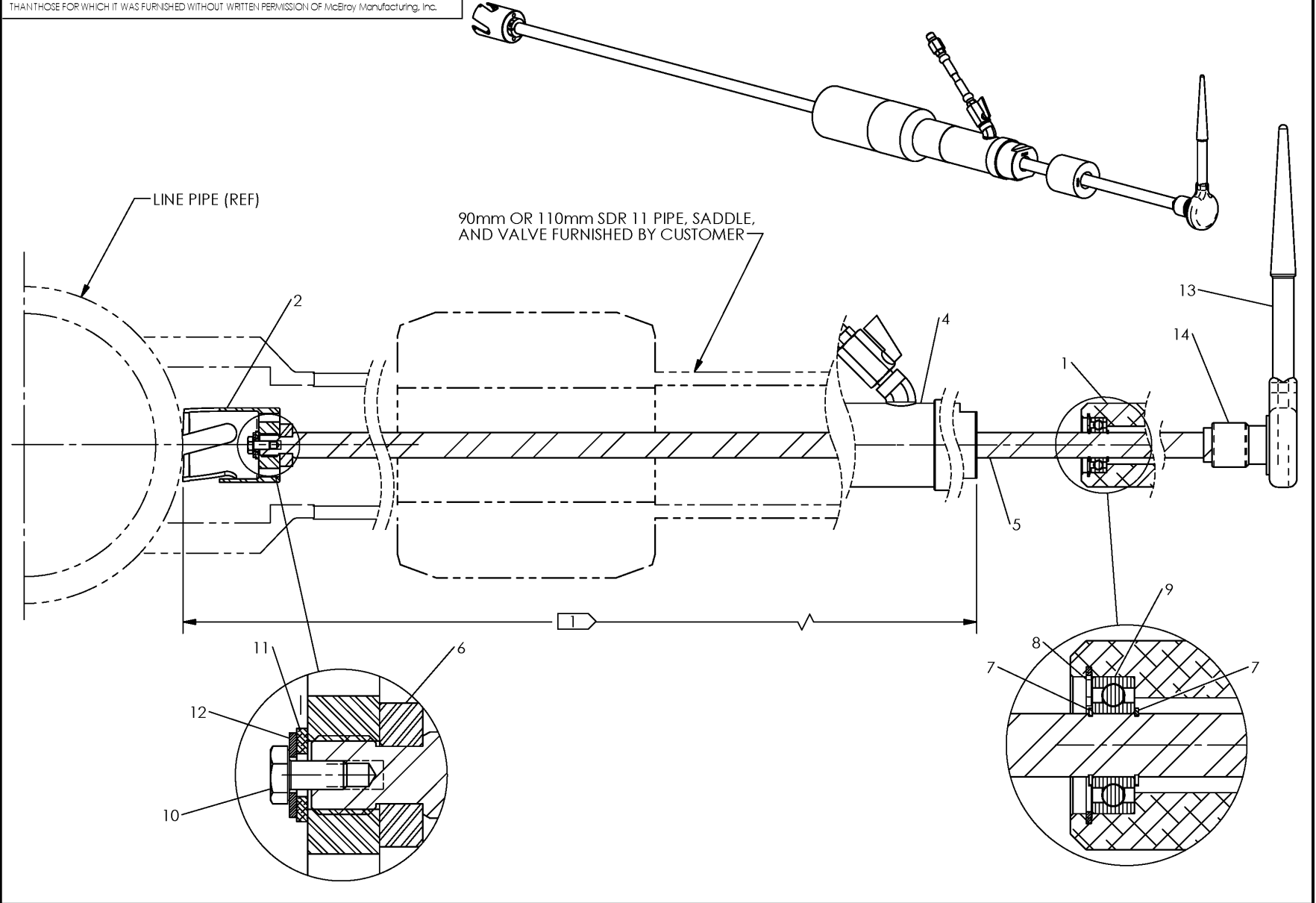
McElroy Manufacturing, Inc.
The leader by design.
Tulsa, Oklahoma U.S.A.

DRAWN: MRH CHECK: ERA APPRVD: BWJ DATE: 8/31/17 SHT No: 1 REV No: B PART No: 247300

90mm & 110mm HOT TAPPING TOOL ASSEMBLY

NOTE: THIS DRAWING AND THE INFORMATION CONTAINED THEREIN IS THE CONFIDENTIAL AND PROPRIETARY PROPERTY OF McElroy Manufacturing, Inc. THE DRAWING IS NOT TO BE REPRODUCED IN ANY MANNER, SUBMITTED TO OUTSIDE PARTIES FOR EXAMINATION, OR USED DIRECTLY OR INDIRECTLY FOR THE PURPOSES OTHER THAN THOSE FOR WHICH IT WAS FURNISHED WITHOUT WRITTEN PERMISSION OF McElroy Manufacturing, Inc.

NOTES:
1. SEE OPERATORS MANUAL (224901) FOR MAKE UP LENGTH.



McElroy Manufacturing Parts List

Part Number: 247301 90mm Hot Tapping Tool Assembly

Part Number 247301 Component List

| Item | Component | Description | Quantity | Unit | Price |
|------|-----------|-----------------------------------------------------|----------|------|----------|
| 1 | 220701 | Htt Bearing Housing (Effective to 10/1/17) | 1.0 | EA | 213.00 |
| 1 | 250801 | 63MM Htt Bearing Housing | 1.0 | EA | 233.00 |
| 2 | 221601 | 2-7/8L X 2-1/4D Toothed Cutter | 1.0 | EA | 1,100.00 |
| 3 | 226101 | 2,3&4 Htt Box W/foam Inserts (Effective to 2/12/18) | 1.0 | EA | 603.00 |
| 3 | 251601 | Htt Box W/foam Inserts | 1.0 | EA | 682.00 |
| 4 | 249901 | 90mm HTT Gland Fitting Assembly | 1.0 | EA | 0.00 |
| 5 | 251201 | 90MM&110MM Htt Shaft | 1.0 | EA | 0.00 |
| 6 | MJQ00056 | 1/2" Bore Clamp Collar | 1.0 | EA | 52.76 |
| 7 | MCB00003 | Ext Snap Ring | 2.0 | EA | 0.43 |
| 8 | MCA00007 | 1.625 Int Snap Ring | 1.0 | EA | 1.45 |
| 9 | MDM00028 | Ball Bearing | 1.0 | EA | 43.79 |
| 10 | MAH00091 | 1/4-20NCX1/2LG Hhcs | 1.0 | EA | 1.11 |
| 11 | MBG00025 | 3/8 Thrust Washer | 1.0 | EA | 6.32 |
| 12 | MBF00005 | 1/4 TY 'a' Wide FL Wshr Stil PL | 1.0 | EA | 0.11 |
| 13 | MJL00005 | 1/2 Drive Ratchet Wrench | 1.0 | EA | 240.00 |
| 14 | MJL00006 | 7/8 Socket X 1/2 Drive | 1.0 | EA | 39.31 |

Please visit <https://fusion.mcelroy.com/parts> to purchase parts or for more information.