



McElroy Manufacturing, Inc.
The leader by design.
Tulsa, Oklahoma U.S.A.

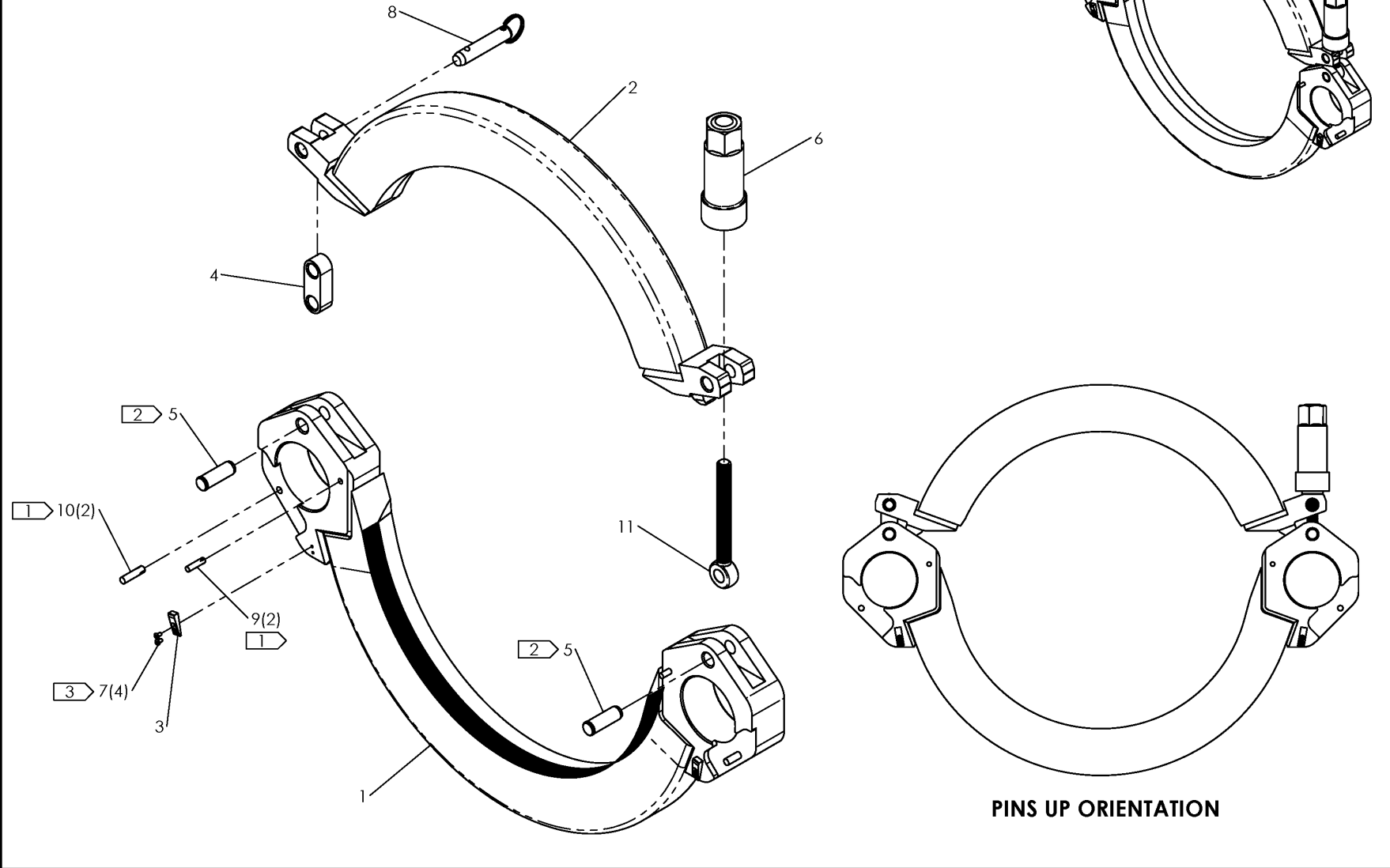
DRAWN: MRH	CHECK: SPA	APPRVD: PJD	DATE: 3/7/18	SHT No: 1	REV No: B	PART No: 2480600
------------	------------	-------------	--------------	-----------	-----------	------------------

Acrobat™ W/ QuikFit™ INNER MOVEABLE JAW ASSEMBLY

NOTE: THIS DRAWING AND THE INFORMATION CONTAINED THEREIN IS THE CONFIDENTIAL AND PROPRIETARY PROPERTY OF McElroy Manufacturing, Inc. THE DRAWING IS NOT TO BE REPRODUCED IN ANY MANNER, SUBMITTED TO OUTSIDE PARTIES FOR EXAMINATION, OR USED DIRECTLY OR INDIRECTLY FOR THE PURPOSES OTHER THAN THOSE FOR WHICH IT WAS FURNISHED WITHOUT WRITTEN PERMISSION OF McElroy Manufacturing, Inc.

NOTES:

1. PINS TO BE INSERTED WITH LOCKING FEATURE IN THE JAW.
2. PINS TO BE INSERTED FLUSH OR BELOW THE SURFACE OF BOTH SIDES OF THE JAW.
3. APPLY MEDIUM STRENGTH THREAD LOCKER.



PINS UP ORIENTATION

McElroy Manufacturing Parts List

Part Number: 2480604 Acrobat w/ QuikFit 500mm Inner Moveable Jaw Assembly

Part Number 2480604 Component List

Item	Component	Description	Quantity	Unit	Price
1	2485104	500MM Lower Fixed Jaw (Effective to 3/28/18)	1.0	EA	0.00
1	2485404	500MM Lower Mov Jaw	1.0	EA	0.00
2	2485604	500MM Upper Jaw	1.0	EA	0.00
3	2486007	Secondary Latch Clip	2.0	EA	25.91
4	2486401	Pivot Link	1.0	EA	92.29
5	2486402	.623"X1-7/8" Knurled Pivot Pin	2.0	EA	54.10
6	A1226203	Clamp Knob Assembly	1.0	EA	177.00
7	MAE00008	#6-32NCX1/4LG Bhscs PL	4.0	EA	0.29
8	MCE00062	5/8DIA X2.00 Grip Detent Pin	1.0	EA	11.69
9	MCK00121	1/4DIA X1LG Lck Pin Stl PL	2.0	EA	0.00
10	MCK00122	5/16DIA X1-1/4LG Lck Pin Stl PL	2.0	EA	0.00
11	MJB00023	5/8-11X6LG Eye Bolt	1.0	EA	32.97

Please visit <https://fusion.mcelroy.com/parts> to purchase parts or for more information.