



McElroy Manufacturing, Inc.
The leader by design.
Tulsa, Oklahoma U.S.A.

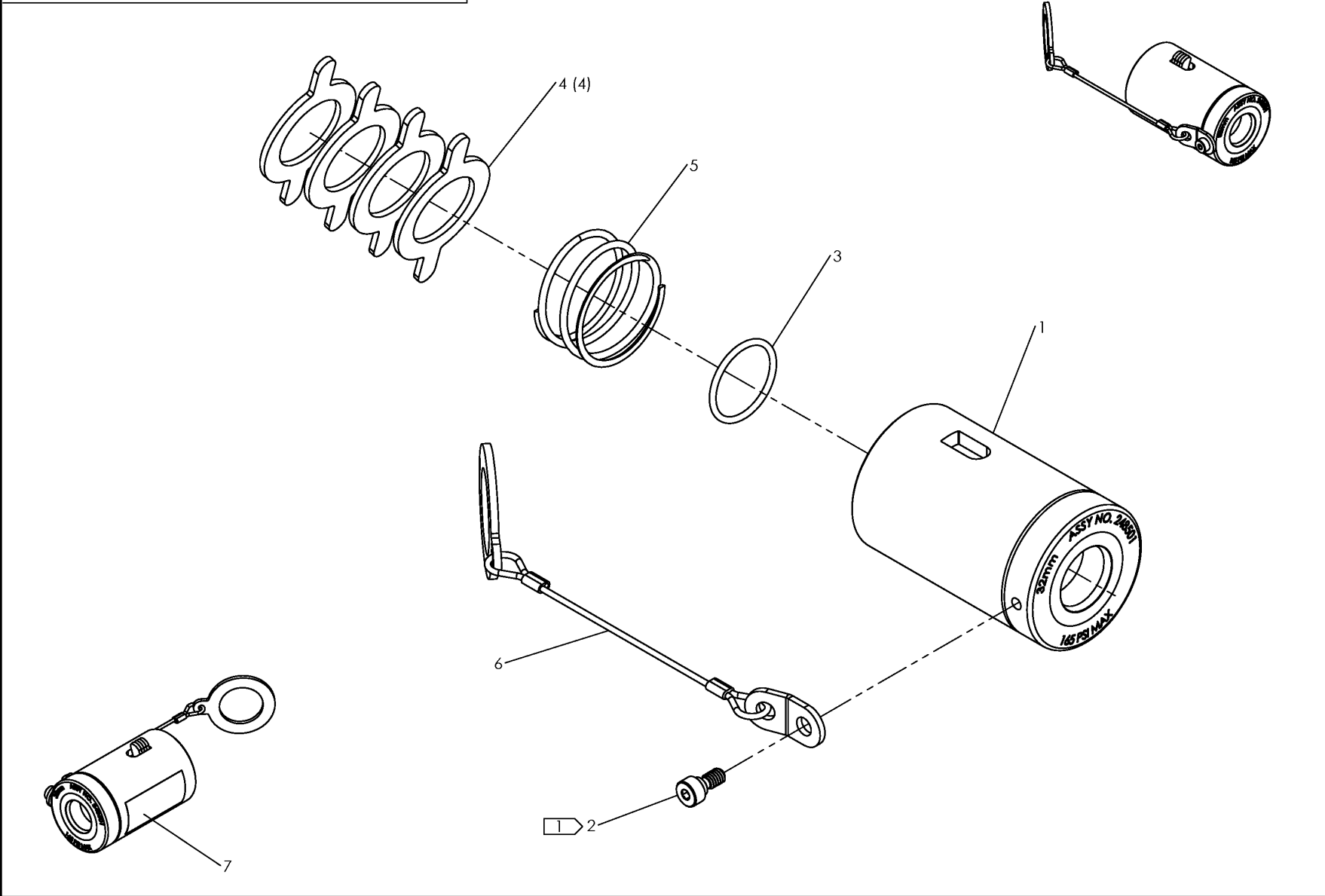
DRAWN: HECK	CHECK: PJD	APPR'VD: BWJ	DATE: 2/16/17	SHT No: 1	REV No: B	PART No: 248500
-------------	------------	--------------	---------------	-----------	-----------	-----------------

HOT TAP TOOL HOUSING ASSEMBLY

NOTE: THIS DRAWING AND THE INFORMATION CONTAINED THEREIN IS THE CONFIDENTIAL AND PROPRIETARY PROPERTY OF McElroy Manufacturing, Inc. THE DRAWING IS NOT TO BE REPRODUCED IN ANY MANNER, SUBMITTED TO OUTSIDE PARTIES FOR EXAMINATION, OR USED DIRECTLY OR INDIRECTLY FOR THE PURPOSES OTHER THAN THOSE FOR WHICH IT WAS FURNISHED WITHOUT WRITTEN PERMISSION OF McElroy Manufacturing, Inc.

NOTES:

- 1. APPLY MEDIUM STRENGTH THREAD RETAINING COMPOUND.



McElroy Manufacturing Parts List

Part Number: 248501 32mm Hot Tap Tool Housing Assembly

Part Number 248501 Component List

Item	Component	Description	Quantity	Unit	Price
1	248601	32MM Htt Housing	1.0	EA	0.00
2	MAF00088	5/16DIA X 1/8LG Skthd Shl Scr SS	1.0	EA	0.00
3	MDL00332	1.237 ID X .103 Wide O-ring	1.0	EA	0.36
4	TP-613	32MM Test Cap Locking Ring	4.0	EA	0.00
5	TP-702	1CTS-1-1/4CTS TC Comp Spring	1.0	EA	18.81
6	TP-1113	32MM Lanyard Ring Assy	1.0	EA	0.00
7	TP-1201	Test Cap Warning Label	1.0	EA	8.25

Please visit <https://fusion.mcelroy.com/parts> to purchase parts or for more information.

