



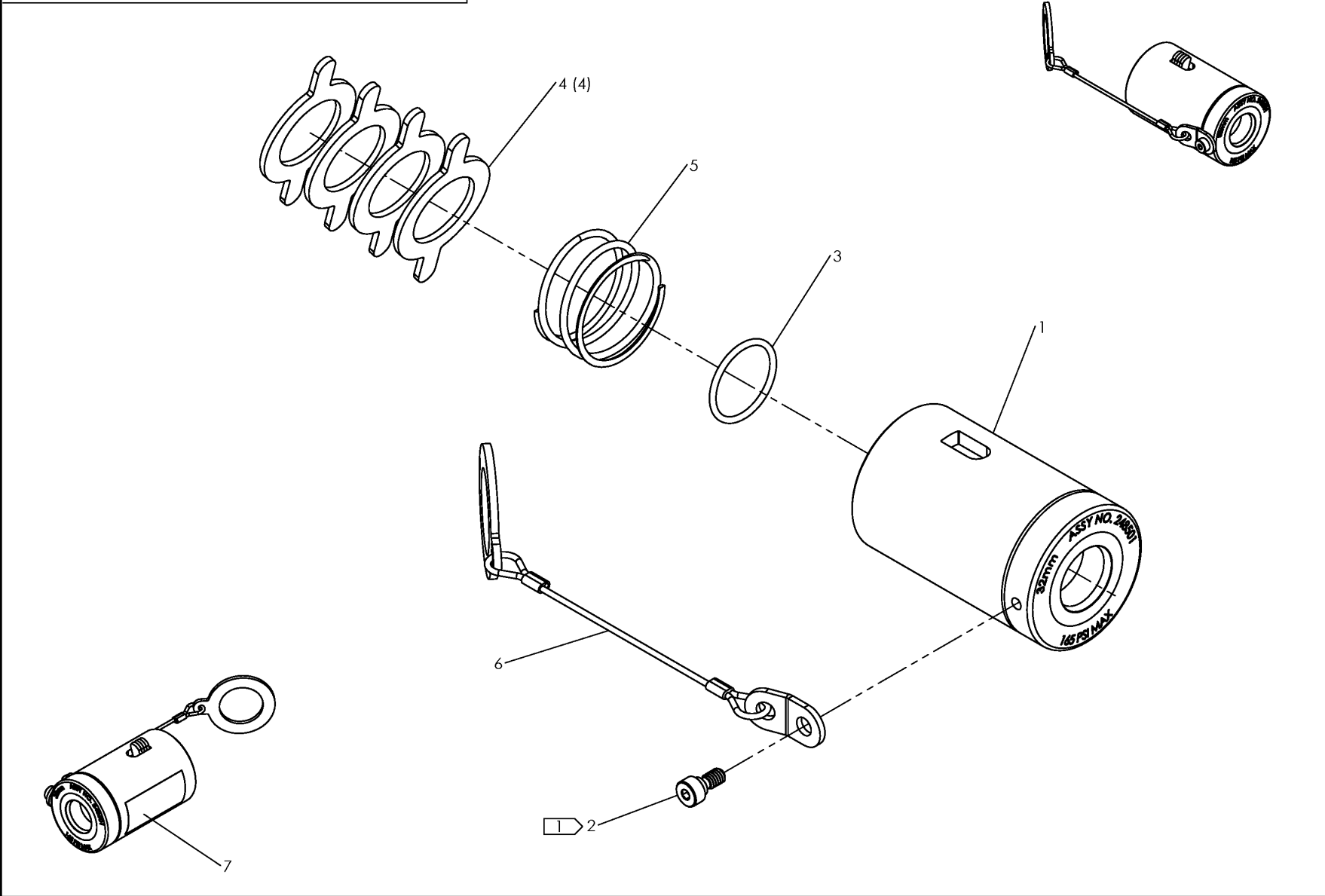
McElroy Manufacturing, Inc.  
The leader by design.  
Tulsa, Oklahoma U.S.A.

DRAWN: HECK	CHECK: PJD	APPRVD: BWJ	DATE: 2/16/17	SHT No: 1	REV No: B	PART No: 248500
-------------	------------	-------------	---------------	-----------	-----------	-----------------

HOT TAP TOOL HOUSING ASSEMBLY

NOTE: THIS DRAWING AND THE INFORMATION CONTAINED THEREIN IS THE CONFIDENTIAL AND PROPRIETARY PROPERTY OF McElroy Manufacturing, Inc. THE DRAWING IS NOT TO BE REPRODUCED IN ANY MANNER, SUBMITTED TO OUTSIDE PARTIES FOR EXAMINATION, OR USED DIRECTLY OR INDIRECTLY FOR THE PURPOSES OTHER THAN THOSE FOR WHICH IT WAS FURNISHED WITHOUT WRITTEN PERMISSION OF McElroy Manufacturing, Inc.

NOTES:  
1. APPLY MEDIUM STRENGTH THREAD RETAINING COMPOUND.



## McElroy Manufacturing Parts List

**Part Number:** 248502 40mm Hot Tap Tool Housing Assembly

### Part Number 248502 Component List

Item	Component	Description	Quantity	Unit	Price
1	248602	40MM Htt Housing	1.0	EA	0.00
2	MAF00088	5/16DIA X 1/8LG Skthd Shl Scr SS	1.0	EA	0.00
3	MDL00333	1.609 ID X .139 Wide O-ring	1.0	EA	0.00
4	TP-614	40MM Test Cap Locking Ring	4.0	EA	0.00
5	TP-703	1-1/4-1-1/2IPS TC Comp Spring	1.0	EA	18.81
6	TP-1114	40MM Lanyard Ring Assy	1.0	EA	0.00
7	TP-1201	Test Cap Warning Label	1.0	EA	8.25

Please visit <https://fusion.mcelroy.com/parts> to purchase parts or for more information.

