



McElroy Manufacturing, Inc.

The leader by design.

Tulsa, Oklahoma U.S.A.

DRAWN: MRH

CHECK: SPA

APPRV'D: PJD

DATE: 2/14/18

SHT No: 1A

REV No: F

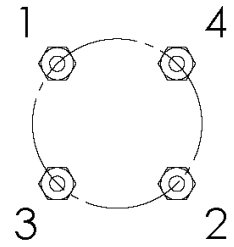
PART No: 2485901

Acrobat™ W/ QuikFit™ CARRIAGE CYLINDER ASSEMBLY

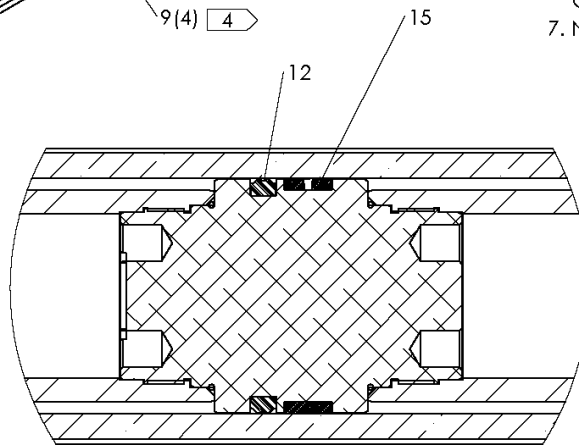
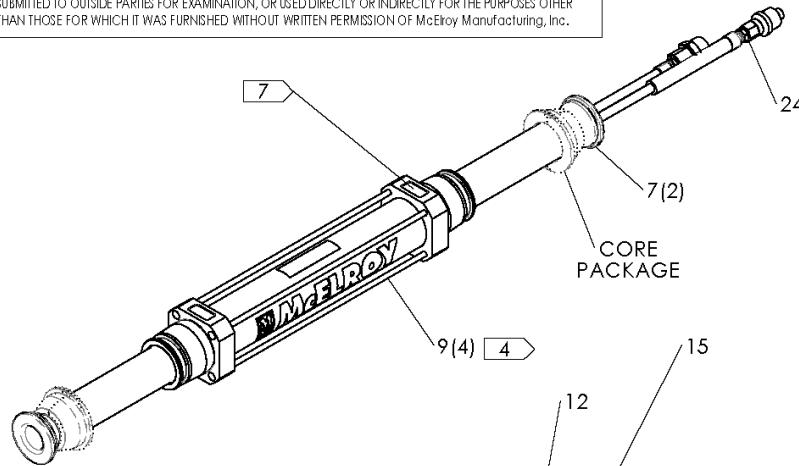
NOTE: THIS DRAWING AND THE INFORMATION CONTAINED THEREIN IS THE CONFIDENTIAL AND PROPRIETARY PROPERTY OF McElroy Manufacturing, Inc. THE DRAWING IS NOT TO BE REPRODUCED IN ANY MANNER, SUBMITTED TO OUTSIDE PARTIES FOR EXAMINATION, OR USED DIRECTLY OR INDIRECTLY FOR THE PURPOSES OTHER THAN THOSE FOR WHICH IT WAS FURNISHED WITHOUT WRITTEN PERMISSION OF McElroy Manufacturing, Inc.

NOTES:

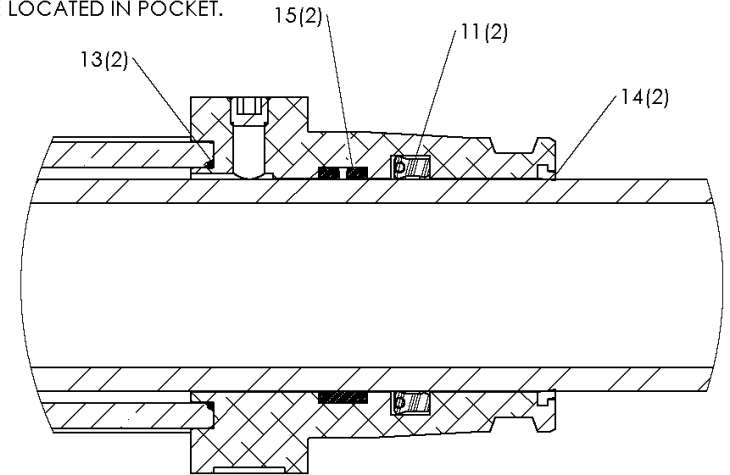
- 1.
2. ALIGN VENT PORTS ON ITEMS 4 AND 5 PRIOR TO INSTALLATION OF ITEM 9.
3. INSTALL ITEM 7 PRIOR TO INSTALLATION OF ITEMS 17, 18, 19, AND 20.
4. APPLY MEDIUM STRENGTH THREAD LOCKER AND LIGHTLY TIGHTEN UNTIL THE ROD GLANDS (ITEM 4) ARE SEATED AGAINST THE CYLINDER TUBE (ITEM 3).
5. PLACE ITEM 22 (TEPA LABEL) BETWEEN TIE RODS ON SIDE OF CYLINDER TUBE OPPOSITE ITEM 16.
6. PLACE ITEM 23 (McELROY LABEL) IN ORIENTATION SHOWN APPROXIMATELY CENTERED ON THE CYLINDER TUBE BETWEEN THE TIE RODS
7. NAMEPLATE LOCATED IN POCKET.



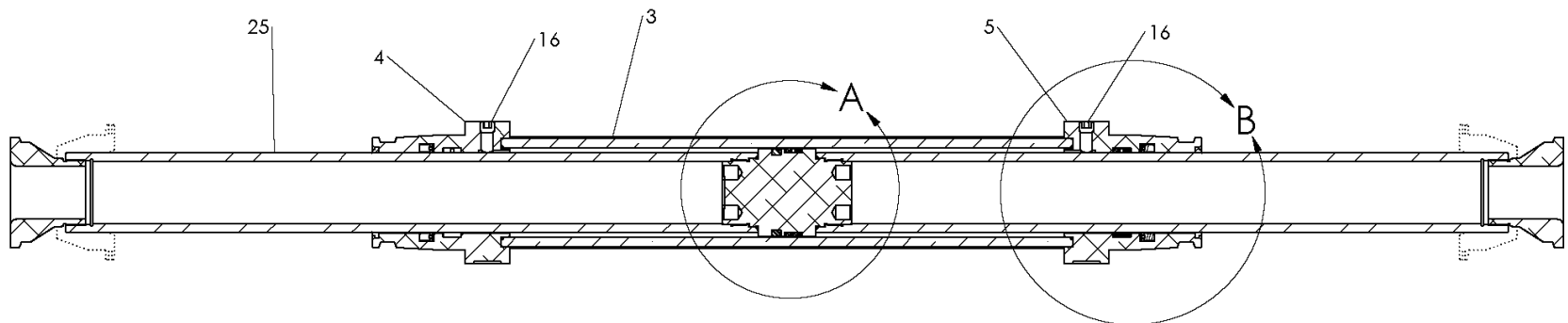
TIE ROD TORQUE PROCEDURE:
TIGHTEN TIE RODS IN SEQUENCE
IN STAGES OF 4, 10, AND 18 FT-LBS.



DETAIL A



DETAIL B



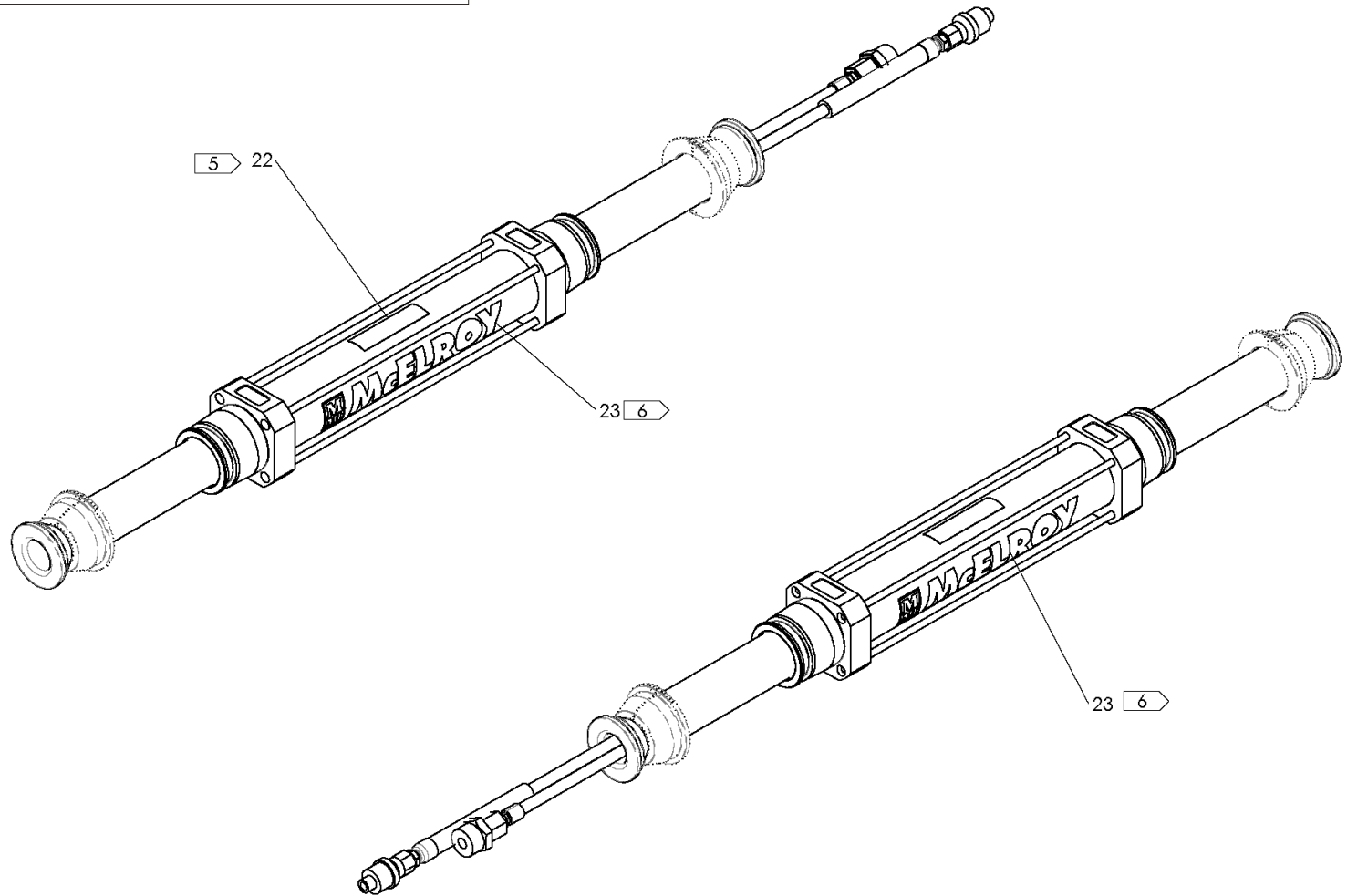


McElroy Manufacturing, Inc.
The leader by design.
Tulsa, Oklahoma U.S.A.

DRAWN: MRH CHECK: SPA APPROV'D: PJD DATE: 2/14/18 SHT No: 1B REV No: F PART No: 2485901

Acrobat™ W/ QuikFit™ CARRIAGE CYLINDER ASSEMBLY

NOTE: THIS DRAWING AND THE INFORMATION CONTAINED THEREIN IS THE CONFIDENTIAL AND PROPRIETARY PROPERTY OF McElroy Manufacturing, Inc. THE DRAWING IS NOT TO BE REPRODUCED IN ANY MANNER, SUBMITTED TO OUTSIDE PARTIES FOR EXAMINATION, OR USED DIRECTLY OR INDIRECTLY FOR THE PURPOSES OTHER THAN THOSE FOR WHICH IT WAS FURNISHED WITHOUT WRITTEN PERMISSION OF McElroy Manufacturing, Inc.





McElroy Manufacturing, Inc.

The leader by design.

Tulsa, Oklahoma U.S.A.

DRAWN: MRH

CHECK: SPA

APPR'D: PJD

DATE: 2/14/18

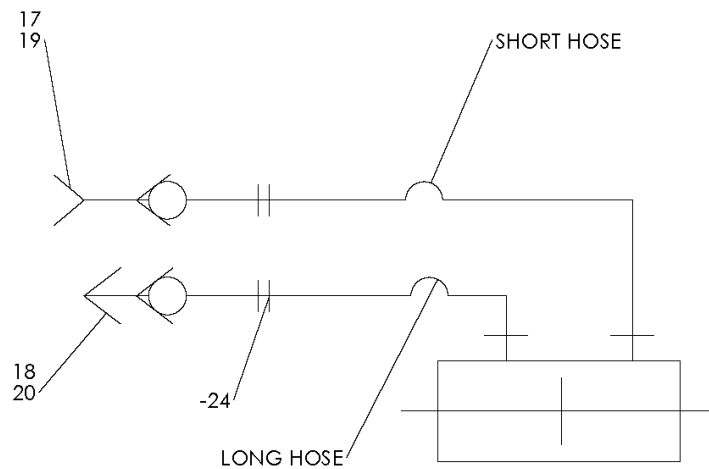
SHT No: 1C

REV No: F

PART No: 2485901

Acrobat™ W/ QuikFit™ CARRIAGE CYLINDER ASSEMBLY

NOTE: THIS DRAWING AND THE INFORMATION CONTAINED THEREIN IS THE CONFIDENTIAL AND PROPRIETARY PROPERTY OF McElroy Manufacturing, Inc. THE DRAWING IS NOT TO BE REPRODUCED IN ANY MANNER, SUBMITTED TO OUTSIDE PARTIES FOR EXAMINATION, OR USED DIRECTLY OR INDIRECTLY FOR THE PURPOSES OTHER THAN THOSE FOR WHICH IT WAS FURNISHED WITHOUT WRITTEN PERMISSION OF McElroy Manufacturing, Inc.



McElroy Manufacturing Parts List

Part Number: 2485901 Acrobat with QuikFit Carriage Cylinder Assembly

Part Number 2485901 Component List

Item	Component	Description	Quantity	Unit	Price
1	2485903	Guide Rod Tube (Effective to 8/21/19)	2.0	EA	0.00
2	2485904	Guide Rod Piston (Effective to 8/21/19)	1.0	EA	0.00
3	2485905	Carriage Cylinder Tube	1.0	EA	0.00
4	2485906	Rod Gland	1.0	EA	738.00
5	2485907	Threaded Rod Gland	1.0	EA	764.00
6	2485908	Acrobat w/ QuikFit Carriage Guide Rod Sleeve (Effective to 8/16/18)	2.0	EA	463.00
7	2485909	Guide Rod Cap	2.0	EA	0.00
8	2486601	Cylinder Hose Assy (Effective to 8/21/19)	1.0	EA	0.00
9	MAC00461	5/16-18NCX17-1/4 Shcs	4.0	EA	0.00
10	MDL00001	O-ring (Effective to 8/21/19)	2.0	EA	1.17
11	MDL00361	BD Profile Rod Seal	2.0	EA	18.16
12	MDL00362	Psp Seal Piston Seal	1.0	EA	27.64
13	MDL00363	2-1/2 O-ring Seal	2.0	EA	1.81
14	MDL00364	Slotted Heal Wiper Seal	2.0	EA	7.90
15	MEK00042	2-1/2 X 1/2 X 1/8 Wear Band	3.0	EA	3.77
16	MFA00002	2MPT Plug	2.0	EA	4.03
17	MFH00131	3/8FSAE Thrd Togthr QD Coupler	1.0	EA	261.00
18	MFH00132	3/8FSAE Thrd Togthr QD Nipple (Effective 7/5/18 to 11/28/18)	1.0	EA	275.00
18	MFH00135	1/4FBSPP Thrd Togthr QD Nipple	1.0	EA	225.00
19	MFH00133	Dust Plug for MFH00131	1.0	EA	58.51
20	MFH00134	Dust Cap for MFH00132	1.0	EA	61.33
21	SLAJDJD028	Hose Assy Oal 28" (Effective to 8/21/19)	1.0	EA	0.00
22	8163349	1.87 SQ IN Tapa Label	1.0	EA	0.00
23	8163358	11" McElroy Branding Label	2.0	EA	0.00
24	MDL00372	1/4BSPP Bonded Seal	1.0	EA	7.66
25	2485902	Acrobat W/qf Guide Rod Assy	1.0	EA	1,665.00

Please visit <https://fusion.mcelroy.com/parts> to purchase parts or for more information.