



McElroy Manufacturing, Inc.
The leader by design.
Tulsa, Oklahoma U.S.A.

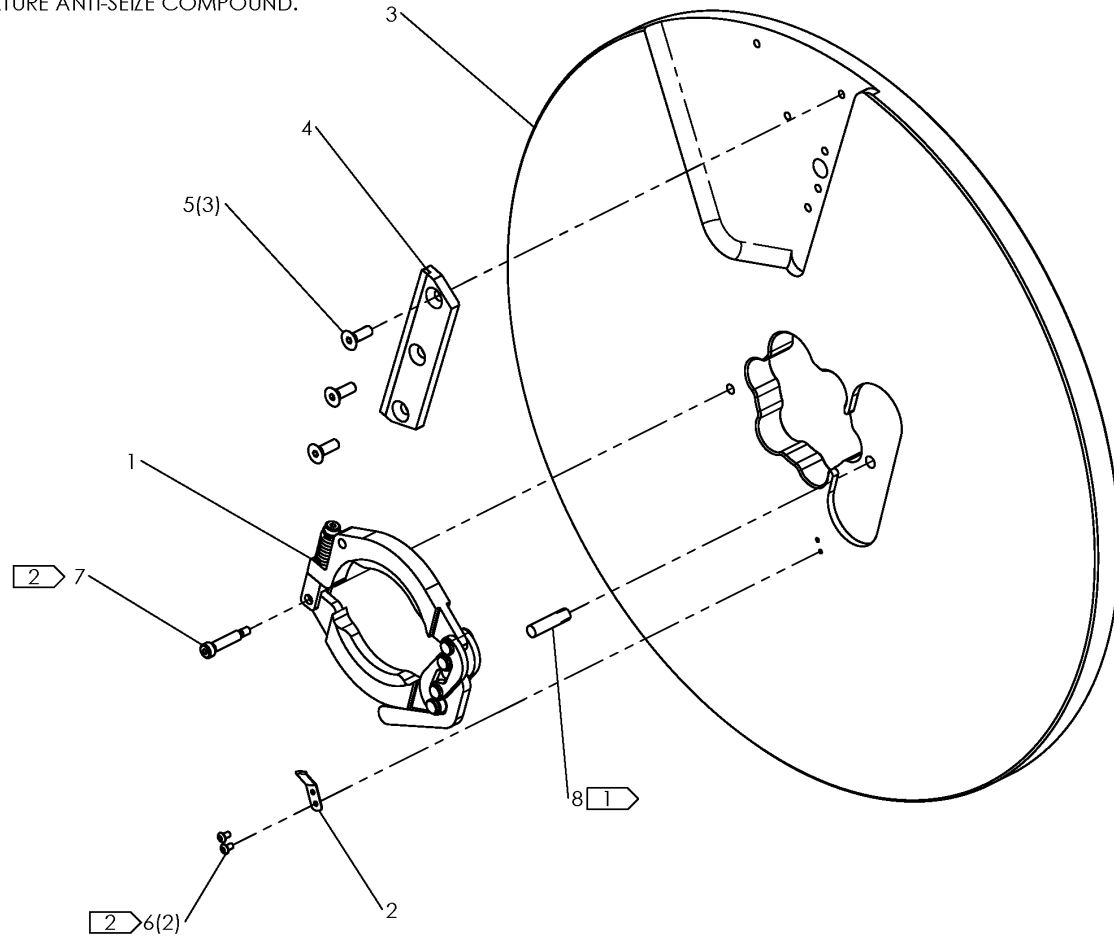
DRAWN: MRH CHECK: SPA APPRVD: PJD DATE: 4/19/18 SHT No: 1 REV No: PART No: 2486900

Acrobat™ FACER BLADE HOLDER ASSEMBLY

NOTE: THIS DRAWING AND THE INFORMATION CONTAINED THEREIN IS THE CONFIDENTIAL AND PROPRIETARY PROPERTY OF McElroy Manufacturing, Inc. THE DRAWING IS NOT TO BE REPRODUCED IN ANY MANNER, SUBMITTED TO OUTSIDE PARTIES FOR EXAMINATION, OR USED DIRECTLY OR INDIRECTLY FOR THE PURPOSES OTHER THAN THOSE FOR WHICH IT WAS FURNISHED WITHOUT WRITTEN PERMISSION OF McElroy Manufacturing, Inc.

NOTES:

1. PIN TO BE INSERTED WITH LOCKING FEATURE IN BLADE HOLDER.
2. APPLY MEDIUM STRENGTH THREAD LOCKER.
3. INSTALL WITH HIGH TEMPERATURE ANTI-SEIZE COMPOUND.



McElroy Manufacturing Parts List

Part Number: 2486903 Acrobat Facer 500mm Cover Side Blade Holder Assembly

Part Number 2486903 Component List

Item	Component	Description	Quantity	Unit	Price
1	2486001	Acrobat with QuikFit Clamp Assembly	1.0	EA	810.00
2	2486007	Secondary Latch Clip	1.0	EA	25.91
3	2487003	500MM Cover Side Blade Holder	1.0	EA	0.00
4	3615701T	Carbide Tipd Fcr Blade 5LG	1.0	EA	714.00
5	MAD00044	1/4-20NCX3/4LG Fhscs PL	3.0	EA	0.85
6	MAE00008	#6-32NCX1/4LG Bhscs PL	2.0	EA	0.29
7	MAF00005	1/4DIAX1LG Skt HD Shldr Scr PL	1.0	EA	2.67
8	MCK00122	5/16DIAX1-1/4LG Lck Pin Stl PL	1.0	EA	0.00

Please visit <https://fusion.mcelroy.com/parts> to purchase parts or for more information.

