



McElroy Manufacturing, Inc.
The leader by design.
Tulsa, Oklahoma U.S.A.

DRAWN:

HECK

CHECK:

PJD

APPR'VD:

BWJ

DATE:

2/16/17

SHT

No: 1

REV

No: A

PART

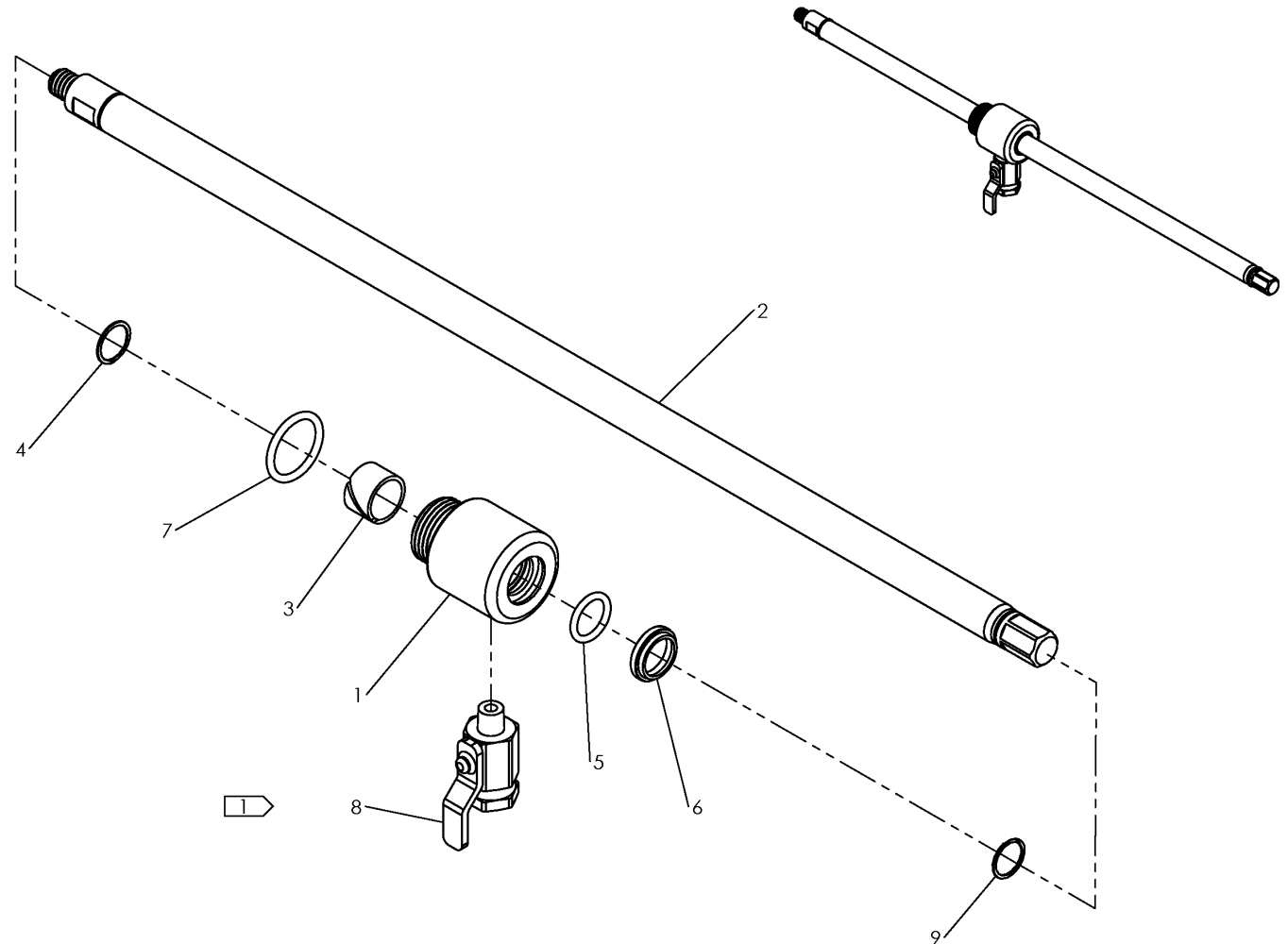
No: 248701

HOT TAP TOOL SHAFT ASSEMBLY

NOTE: THIS DRAWING AND THE INFORMATION CONTAINED THEREIN IS THE CONFIDENTIAL AND PROPRIETARY PROPERTY OF McElroy Manufacturing, Inc. THE DRAWING IS NOT TO BE REPRODUCED IN ANY MANNER, SUBMITTED TO OUTSIDE PARTIES FOR EXAMINATION, OR USED DIRECTLY OR INDIRECTLY FOR THE PURPOSES OTHER THAN THOSE FOR WHICH IT WAS FURNISHED WITHOUT WRITTEN PERMISSION OF McElroy Manufacturing, Inc.

NOTES:

1. APPLY PIPE THREAD SEALER OR TEFLON TAPE TO THREADS.



McElroy Manufacturing Parts List

Part Number: 248701 Hot Tap Tool Shaft Assembly

Part Number 248701 Component List

Item	Component	Description	Quantity	Unit	Price
1	248801	Gland	1.0	EA	0.00
2	248901	Cutter Shaft	1.0	EA	715.00
3	249701	Gland Wear Band	1.0	EA	0.00
4	MCB00087	Spiral Retaining Ring (Effective to 6/5/17)	2.0	EA	0.00
4	MCB00089	5/8 OD Retaining Ring 18-8 SS	1.0	EA	5.57
5	MDL00131	O-ring	1.0	EA	0.85
6	MDL00269	.625 ID Wiper	1.0	EA	0.00
7	MDL00334	.924ID X .116W O-ring	1.0	EA	0.00
8	MGB00047	1/8NPT Ball Valve	1.0	EA	0.00
9	MCB00088	19/32OD Retaining Ring 18-8 SS	1.0	EA	6.15

Please visit <https://fusion.mcelroy.com/parts> to purchase parts or for more information.

